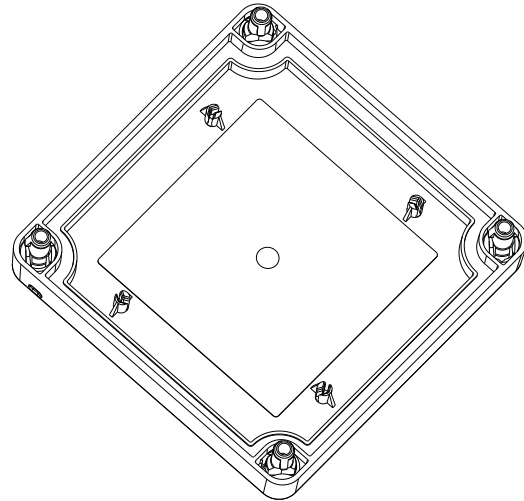
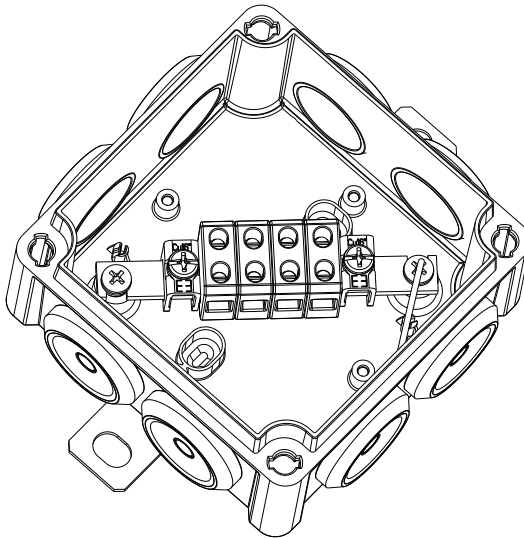
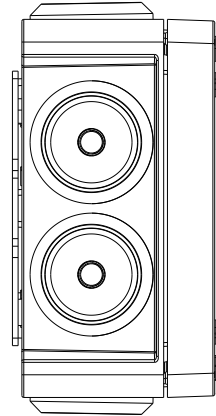
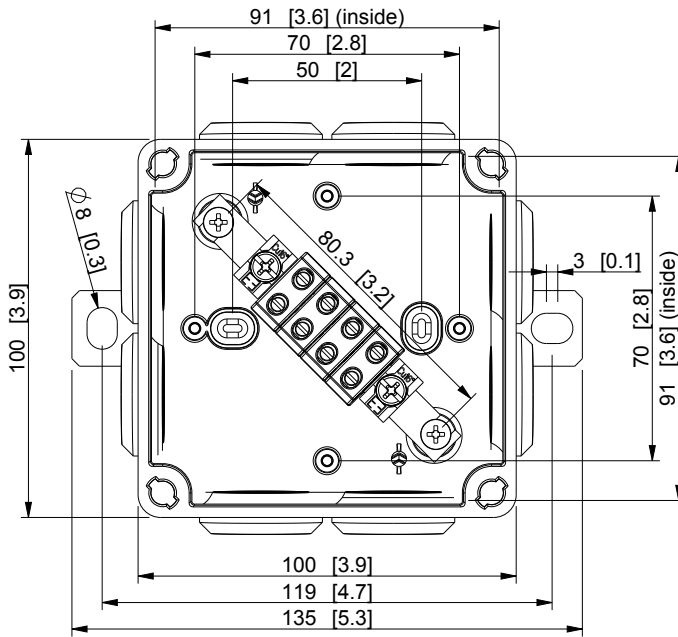
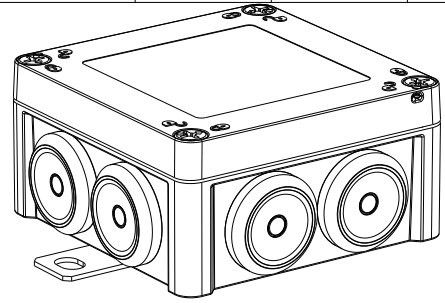
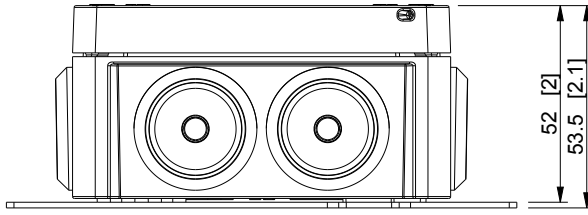


| ID | Description | Date | By | Appr. |
|----|--------------------|----------|------|-------|
| A | | 29.03.15 | PKos | |
| B | Updated dimensions | 28.12.15 | TK | |



Dimensions in mm [inches]

| | | | | | |
|--------------------------------------------------------|--------------------------------------------------------------------|----------------|----------------------------------------------------|--------------------|----------------------|
| model FPT1010PP46 PART drawing PR_FPT1010PP DRAWING | Material: PP | | Color: RAL2003 | Weight (kg): 0.185 | |
| | ENSTO Ensto Finland Oy Ensto Industrial Solutions | | | Replaces: | |
| | | | | Replaced: | |
| | Scale: 1:2 | Date: 24.02.15 | 100x100mm, PP, 4xKR6 Fire safety box | | Drw No: B |
| | By: AKu | Checked: | | | Ref: Fire safety box |
| | Ctrl: | | | | Code: FPT1010PP46 |
| | | | | Sheet No: | |