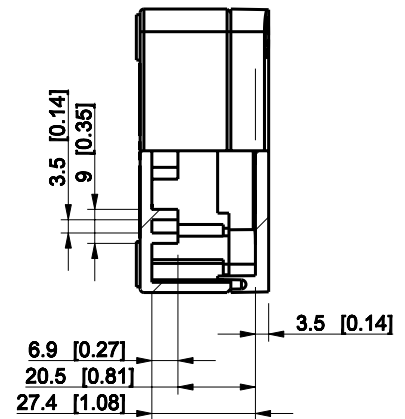
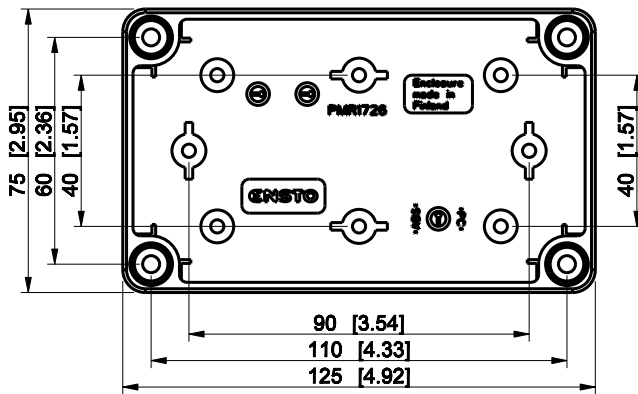
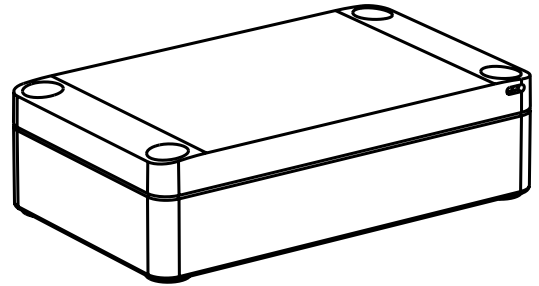
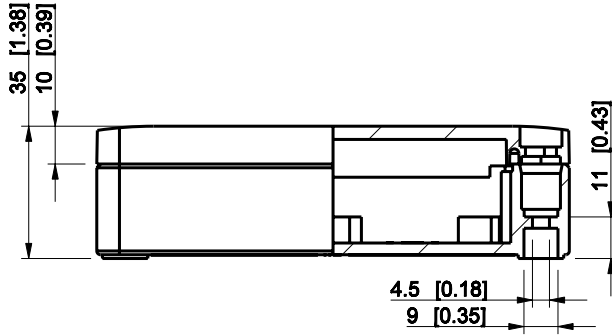


ID	Description	Date	By	Appr.
A				



Dimensions in mm [inches]

Material: Polycarbonate, fiberglass-reinforced	Color: RAL 7035
--	-----------------

Supplier:	Tool No:	Weight [kg]: 0.12	Volume:
-----------	----------	-------------------	---------



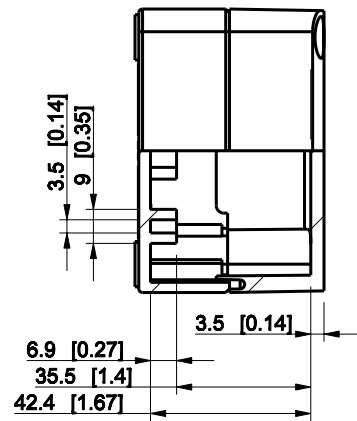
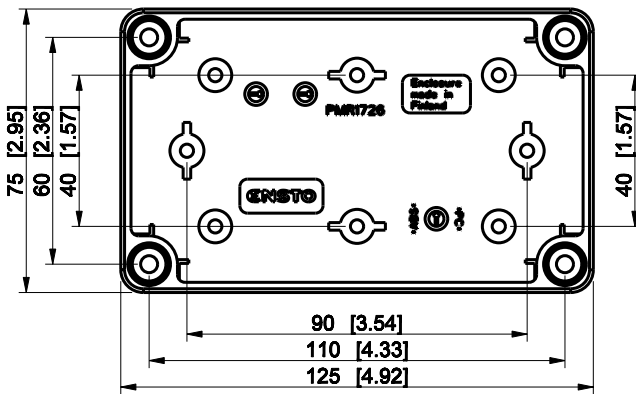
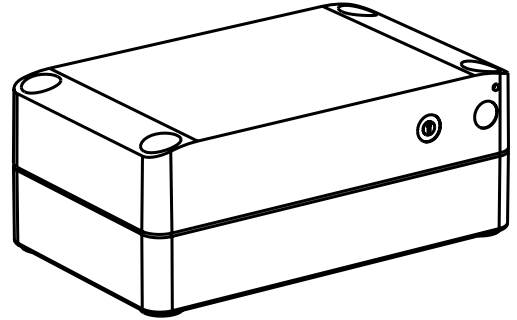
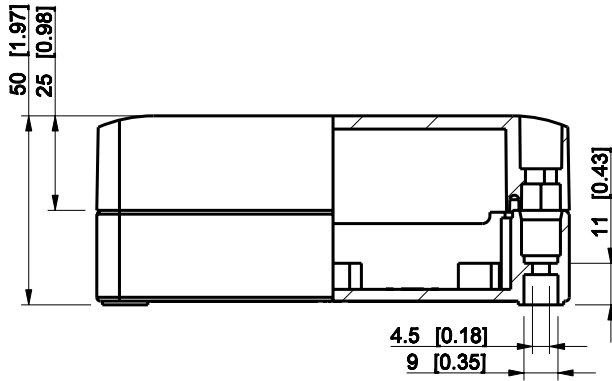
SPCP081304LT

Scale	Date	04.12.08
1:2	By	PKos
-	Checked	
-	Ctrl	

Replaces:	
Replaced:	
Drw No:	- A
Ref:	Cubo S
Code:	SPCP081304LT
Sheet No:	

model SPCP081304LT PART
 drawing CUBOS_3_DRAWING

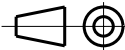
ID	Description	Date	By	Appr.
A				



Dimensions in mm [inches]

Material: Polycarbonate, fiberglass-reinforced	Color: RAL 7035
--	-----------------

Supplier:	Tool No:	Weight [kg]: 0.15	Volume:
-----------	----------	-------------------	---------



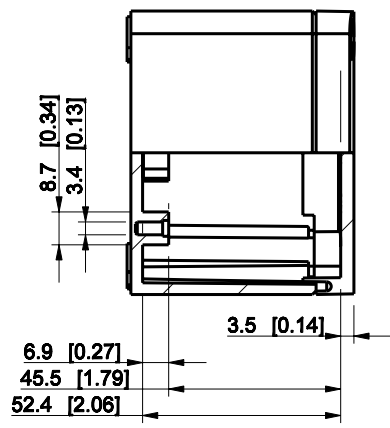
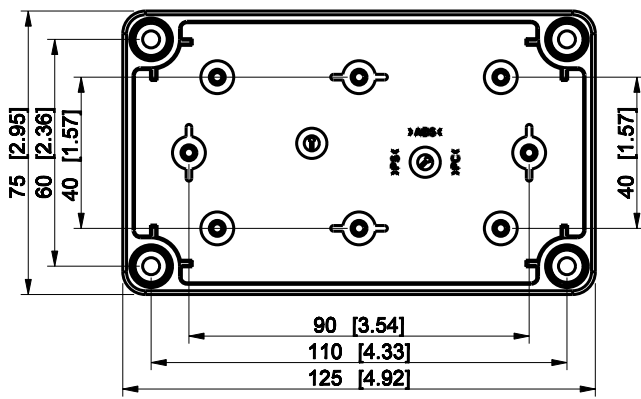
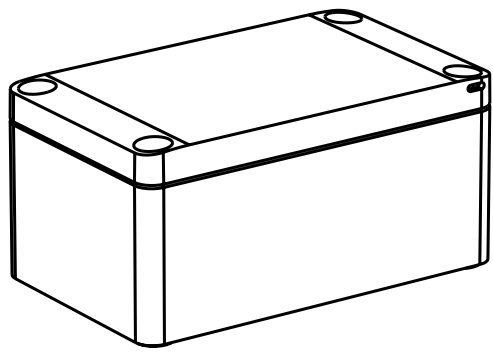
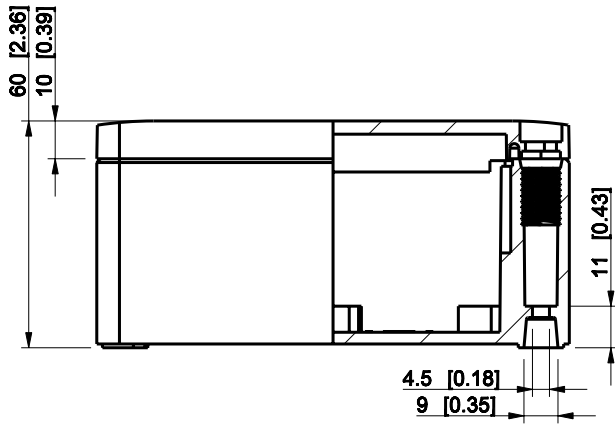
SPCP081305LT

Scale	Date	04.12.08
1:2	By	PKos
-	Checked	
-	Ctrl	

Replaces:
Replaced:
Drw No: - A
Ref: Cubo S
Code: SPCP081305LT
Sheet No:

model SPCP081305LT PART
 drawing CUBOS_4_DRAWING

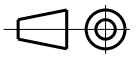
ID	Description	Date	By	Appr.
A				



Dimensions in mm [inches]

Material: Polycarbonate, fiberglass-reinforced	Color: RAL 7035
--	-----------------

Supplier:	Tool No:	Weight [kg]: 0.16	Volume:
-----------	----------	-------------------	---------



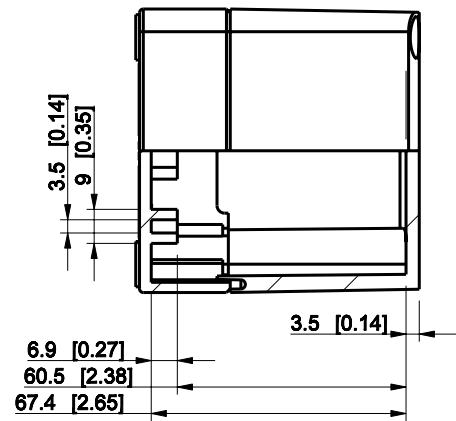
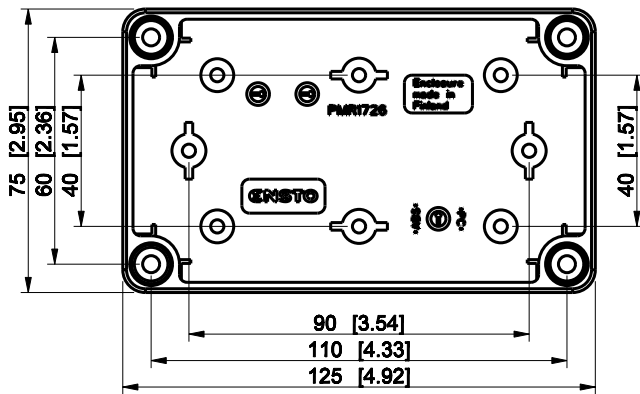
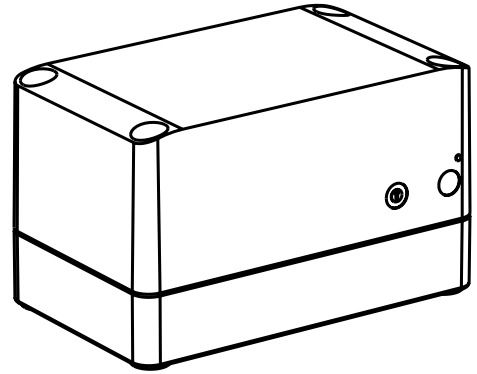
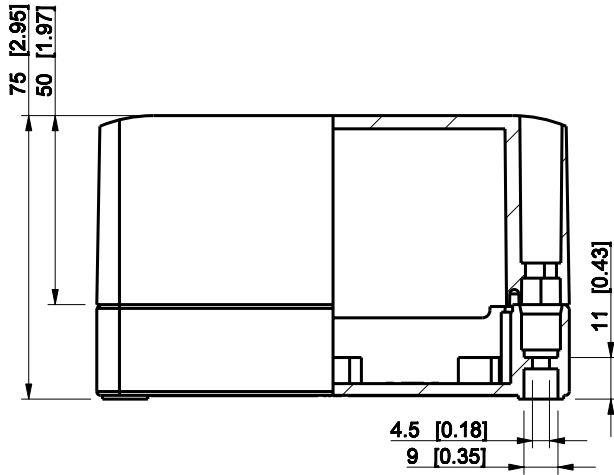
SPCP081306T

Scale	Date	04.12.08
1:2	By	PKos
-	Checked	
-	Ctrl	

Replaces:	
Replaced:	
Drw No:	- A
Ref:	Cubo S
Code:	SPCP081306T
Sheet No:	

model SPCP081306T PART
drawing CUBOS_2.DRAWING

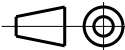
ID	Description	Date	By	Appr.
A				



Dimensions in mm [inches]

Material: Polycarbonate, fiberglass-reinforced	Color: RAL 7035
--	-----------------

Supplier:	Tool No:	Weight [kg]: 0.20	Volume:
-----------	----------	-------------------	---------



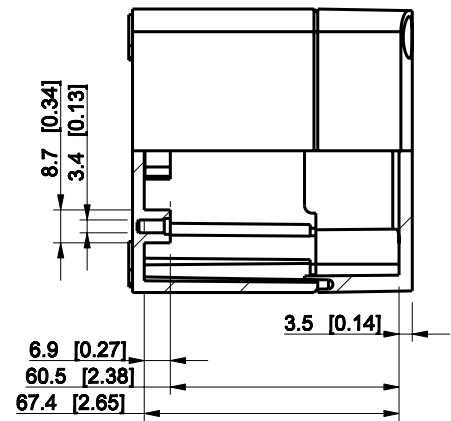
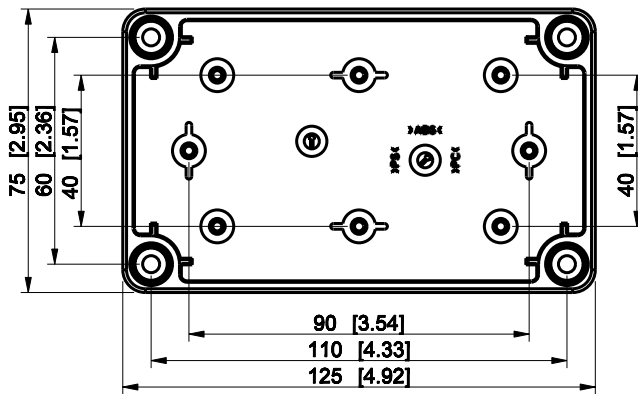
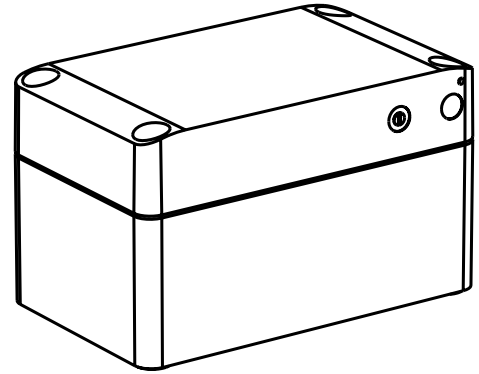
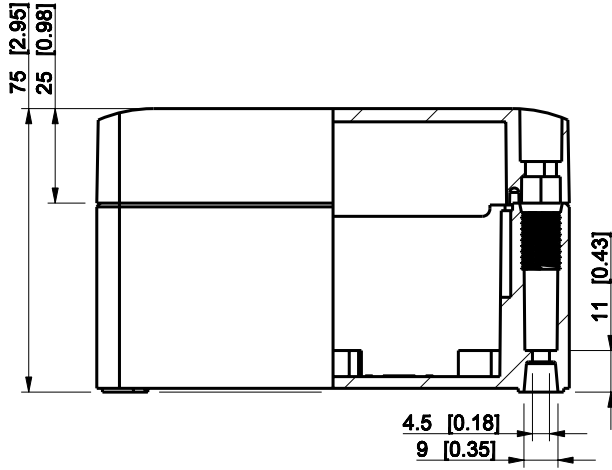
SPCP081308LT

Scale	Date	04.12.08
1:2	By	PKos
-	Checked	
-	Ctrl	

Replaces:	
Replaced:	
Drw No:	- A
Ref:	Cubo S
Code:	SPCP081308LT
Sheet No:	

model SPCP081308LT PART
drawing CUBOS_4.DRAWING

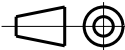
ID	Description	Date	By	Appr.
A				



Dimensions in mm [inches]

Material: Polycarbonate, fiberglass-reinforced	Color: RAL 7035
--	-----------------

Supplier:	Tool No:	Weight [kg]: 0.19	Volume:
-----------	----------	-------------------	---------



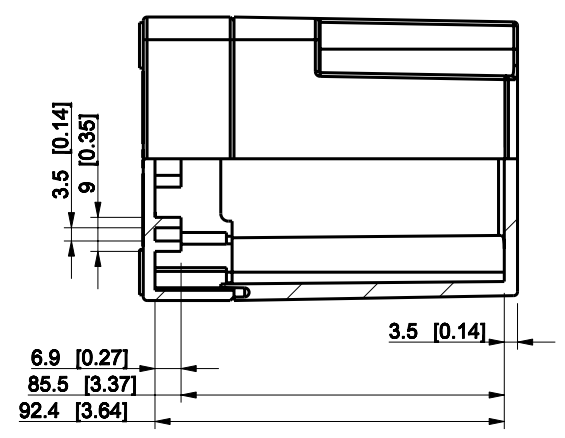
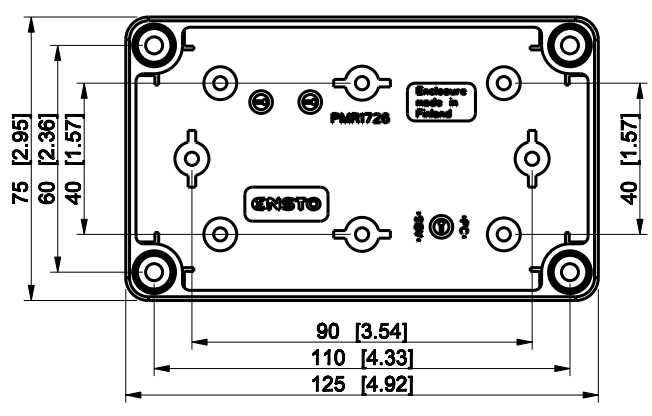
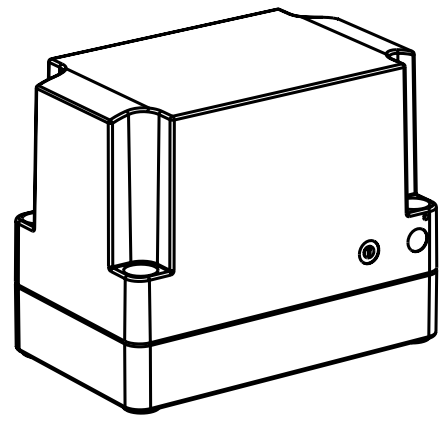
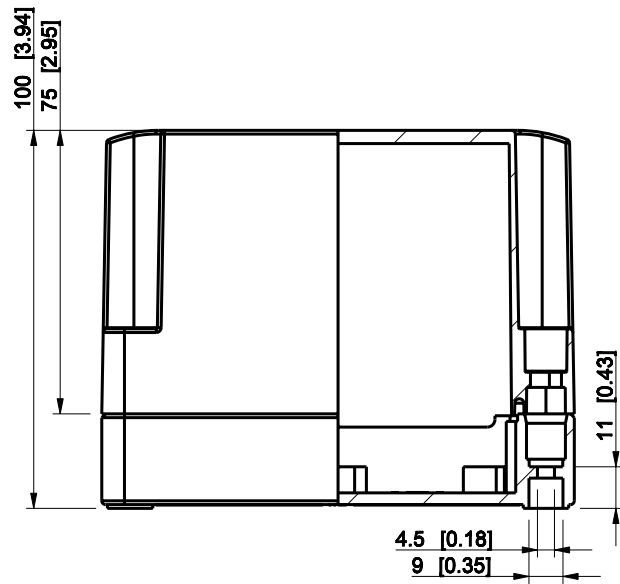
SPCP081308T

Scale	Date	08.12.08
1:2	By	PKos
-	Checked	
-	Ctrl	

Replaces:
Replaced:
Drw No: - A
Ref: Cubo S
Code: SPCP081308T
Sheet No:

model SPCP081308T PART
 drawing CUBOS DRAWING

ID	Description	Date	By	Appr.
A				



Dimensions in mm [inches]

Material: Polycarbonate, fiberglass-reinforced	Color: RAL 7035
--	-----------------

Supplier:	Tool No:	Weight [kg]: 0.22	Volume:
-----------	----------	-------------------	---------



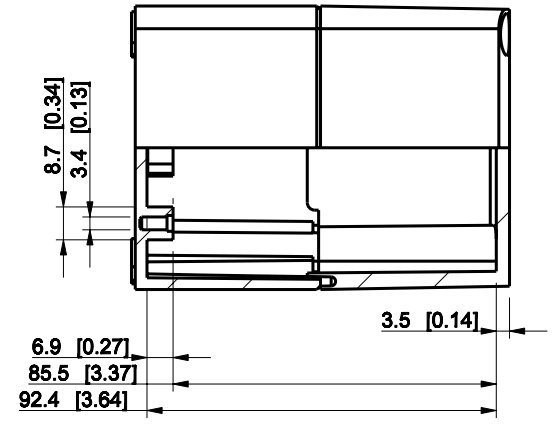
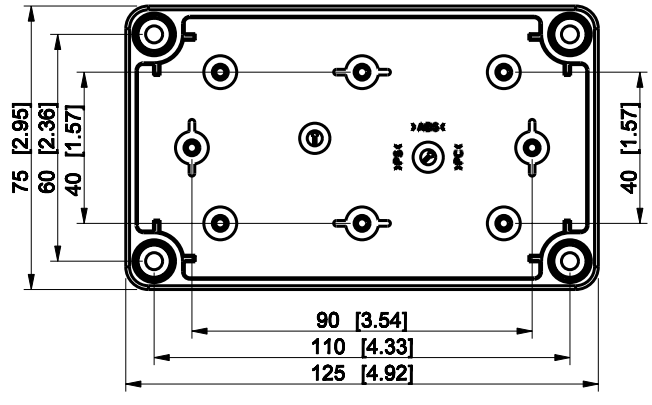
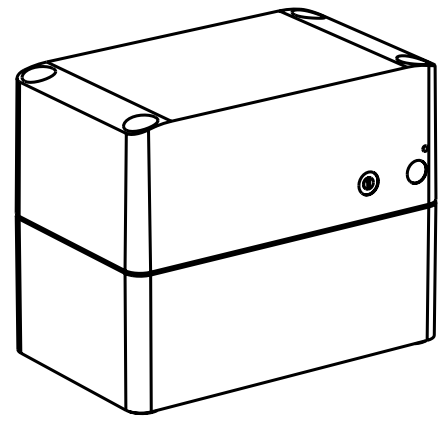
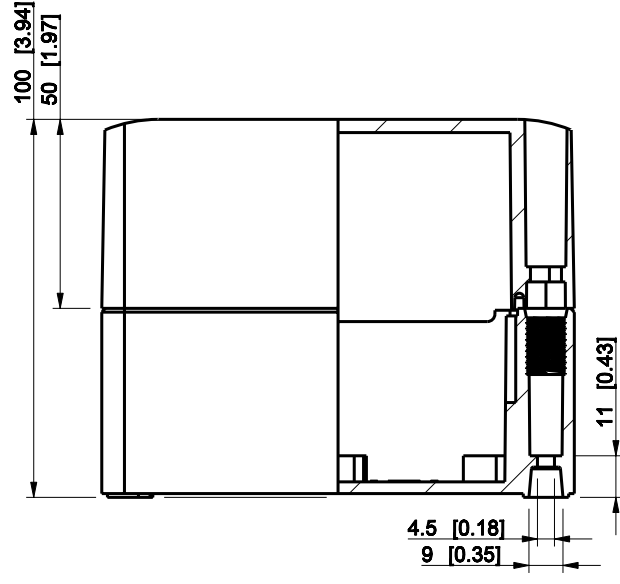
SPCP081310LT

Scale	Date	04.12.08
1:2	By	PKos
-	Checked	
-	Ctrl	

Replaces:	
Replaced:	
Drw No:	- A
Ref:	Cubo S
Code:	SPCP081310LT
Sheet No:	

model SPCP081310LT PART
drawing CUBOS_4_DRAWING

ID	Description	Date	By	Appr.
A				



Dimensions in mm [inches]

Material: Polycarbonate, fiberglass-reinforced Color: RAL 7035

Supplier: Tool No: Weight [kg]: 0.24 Volume:



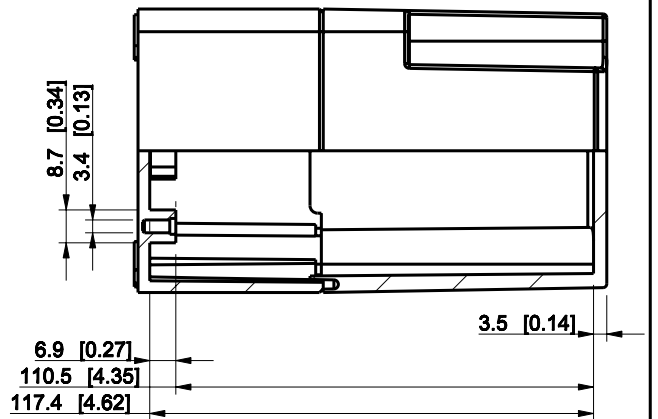
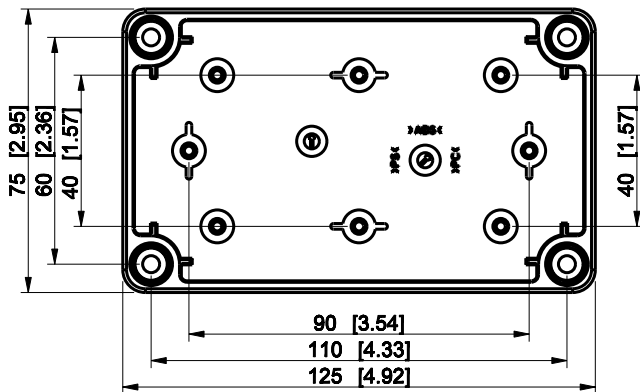
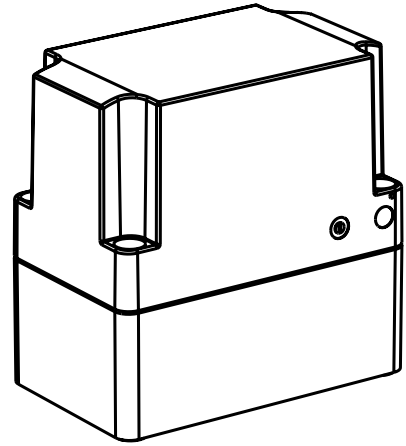
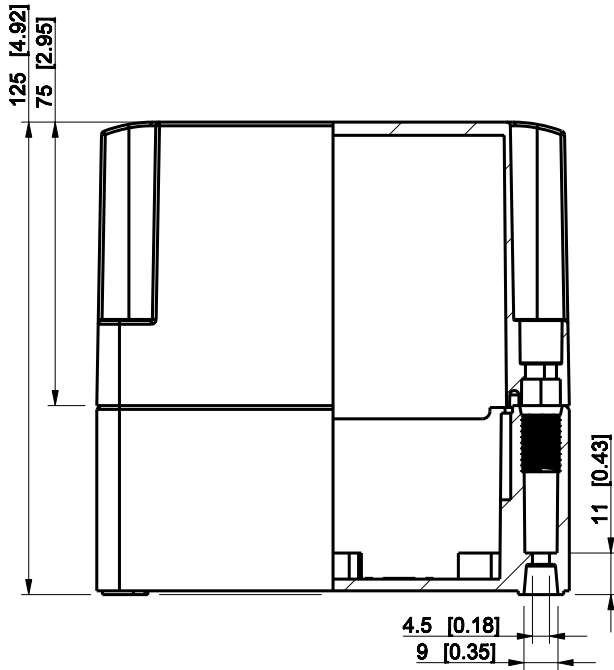
SPCP081310T

Scale	Date	08.12.08
1:2	By	PKos
-	Checked	
-	Ctrl	

Replaces:	
Replaced:	
Drw No:	- A
Ref:	Cubo S
Code:	SPCP081310T
Sheet No:	

model SPCP081310T PART
 drawing CUBOS DRAWING

ID	Description	Date	By	Appr.
A				



Dimensions in mm [inches]

Material: Polycarbonate, fiberglass-reinforced	Color: RAL 7035
--	-----------------

Supplier:	Tool No:	Weight [kg]: 0.26	Volume:
-----------	----------	-------------------	---------

ENSTO
ENSTO CONTROL OY



SPCP081313T

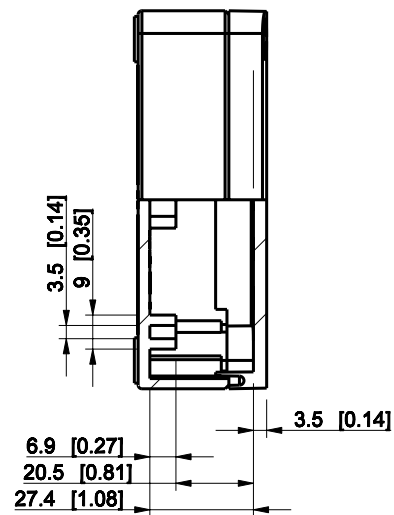
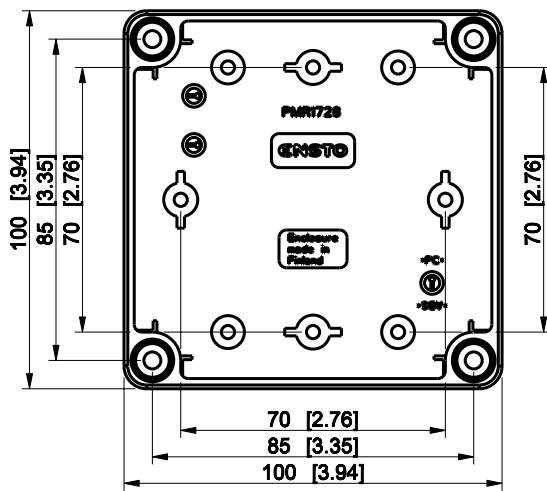
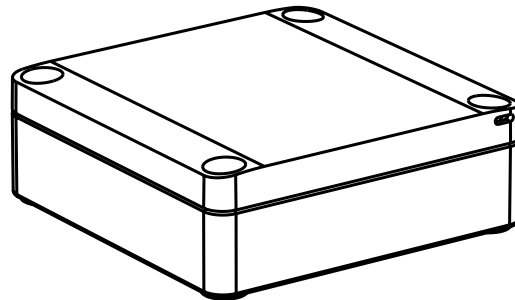
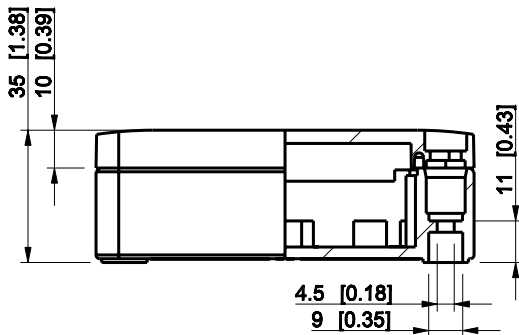
Scale	Date	08.12.08
1:2	By	PKos
-	Checked	
-	Ctrl	

Replaces:
Replaced:
Drw No: - A
Ref: Cubo S
Code: SPCP081313T
Sheet No:

model SPCP081313T PART

drawing CUBOS DRAWING

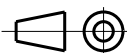
ID	Description	Date	By	Appr.
A				



Dimensions in mm [inches]

Material: Polycarbonate, fiberglass-reinforced	Color: RAL 7035
--	-----------------

Supplier:	Tool No:	Weight [kg]: 0.12	Volume:
-----------	----------	-------------------	---------



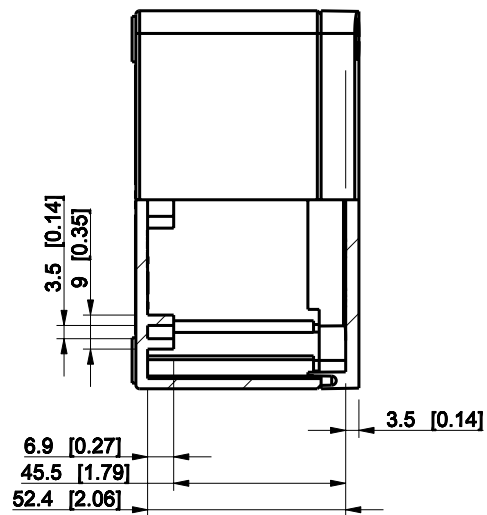
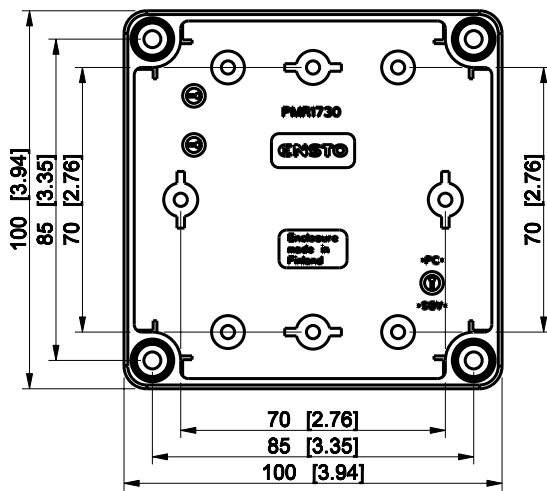
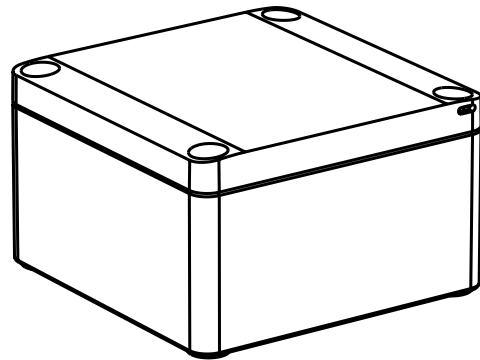
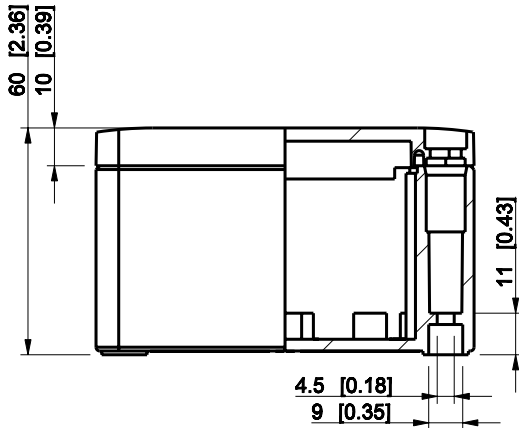
SPCP101004LT

Scale	Date	04.12.08
1:2	By	PKos
-	Checked	
-	Ctrl	

Replaces:
Replaced:
Drw No: - A
Ref: Cubo S
Code: SPCP101004LT
Sheet No:

model SPCP101004LT PART
drawing CUBOS_3_DRAWING

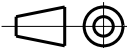
ID	Description	Date	By	Appr.
A				



Dimensions in mm [inches]

Material: Polycarbonate, fiberglass-reinforced	Color: RAL 7035
--	-----------------

Supplier:	Tool No:	Weight [kg]: 0.17	Volume:
-----------	----------	-------------------	---------



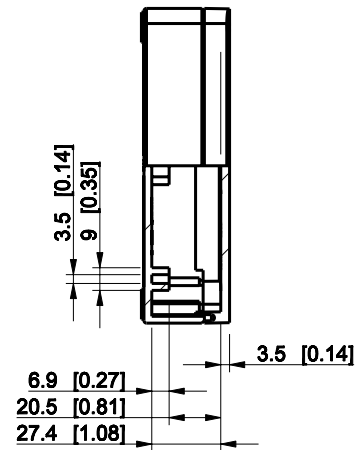
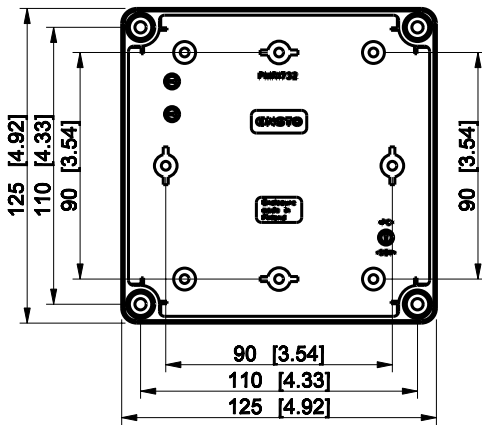
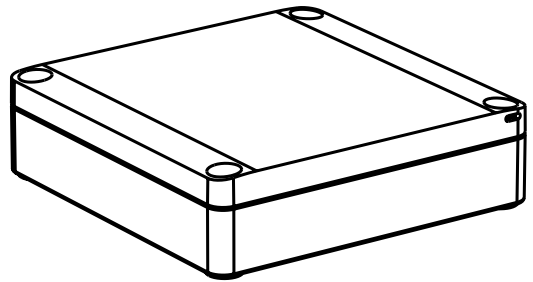
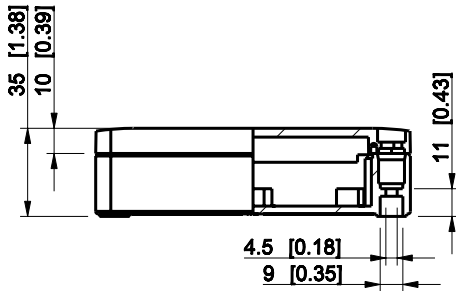
SPCP101006T

Scale	Date	04.12.08
1:2	By	PKos
-	Checked	
-	Ctrl	

Replaces:
Replaced:
Drw No: - A
Ref: Cubo S
Code: SPCP101006T
Sheet No:

model SPCP101006T PART
 drawing CUBOS_3_DRAWING

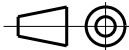
ID	Description	Date	By	Appr.
A				



Dimensions in mm [inches]

Material: Polycarbonate, fiberglass-reinforced	Color: RAL 7035
--	-----------------

Supplier:	Tool No:	Weight [kg]: 0.18	Volume:
-----------	----------	-------------------	---------



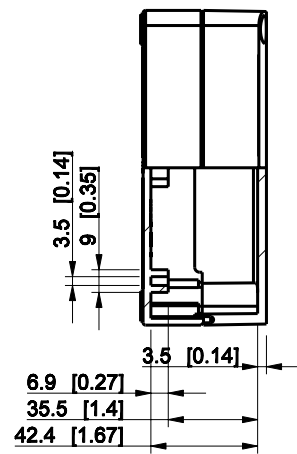
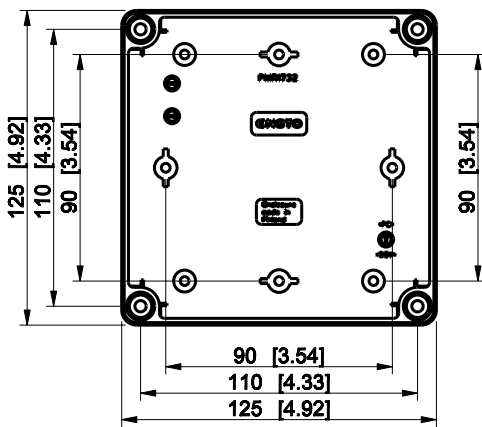
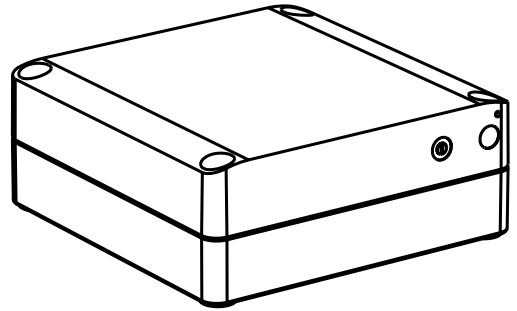
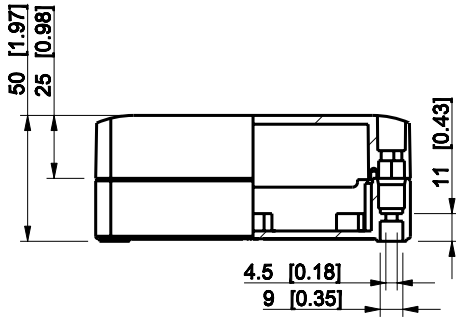
SPCP131304LT

Scale	Date	04.12.08
1:3	By	PKos
-	Checked	
-	Ctrl	

Replaces:
Replaced:
Drw No: - A
Ref: Cubo S
Code: SPCP131304LT
Sheet No:

model SPCP131304LT PART
 drawing CUBOS_3_DRAWING

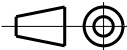
ID	Description	Date	By	Appr.
A				



Dimensions in mm [inches]

Material: Polycarbonate, fiberglass-reinforced	Color: RAL 7035
--	-----------------

Supplier:	Tool No:	Weight [kg]: 0.22	Volume:
-----------	----------	-------------------	---------



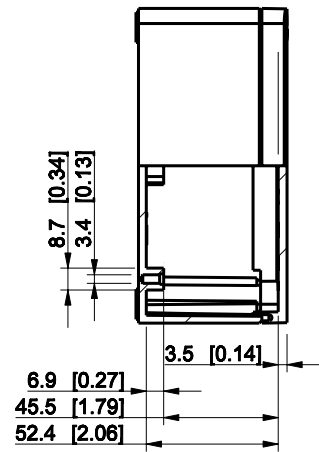
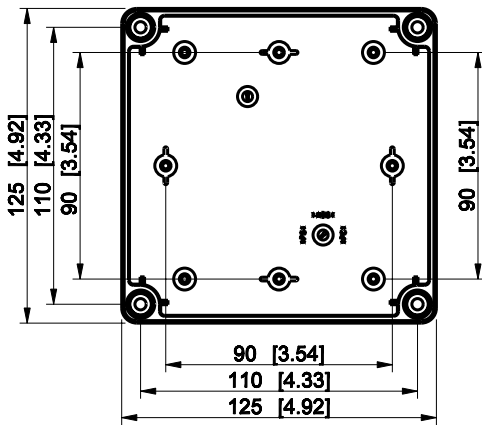
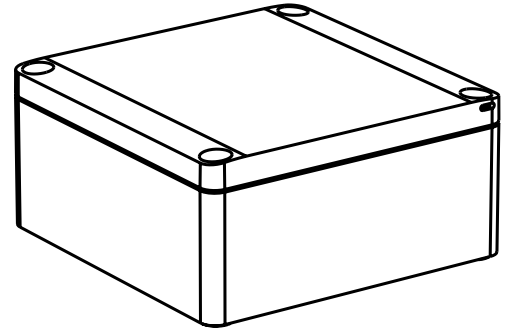
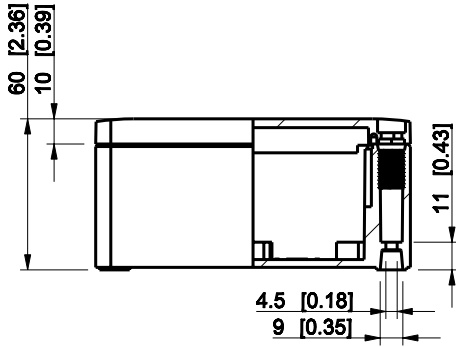
SPCP131305LT

Scale	Date	04.12.08
1:3	By	PKos
-	Checked	
-	Ctrl	

Replaces:	
Replaced:	
Drw No:	- A
Ref:	Cubo S
Code:	SPCP131305LT
Sheet No:	

model SPCP131305LT PART
 drawing CUBOS_4.DRAWING

ID	Description	Date	By	Appr.
A				

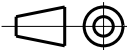


Dimensions in mm [inches]

Material: Polycarbonate, fiberglass-reinforced	Color: RAL 7035
--	-----------------

Supplier:	Tool No:	Weight [kg]: 0.23	Volume:
-----------	----------	-------------------	---------

ENSTO
ENSTO CONTROL OY



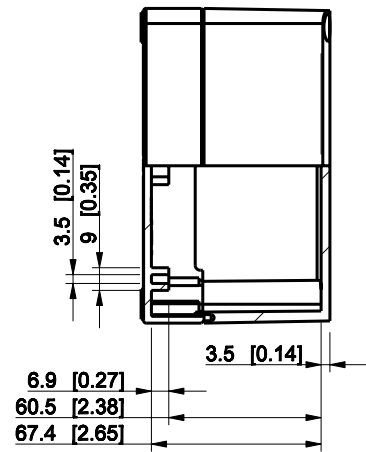
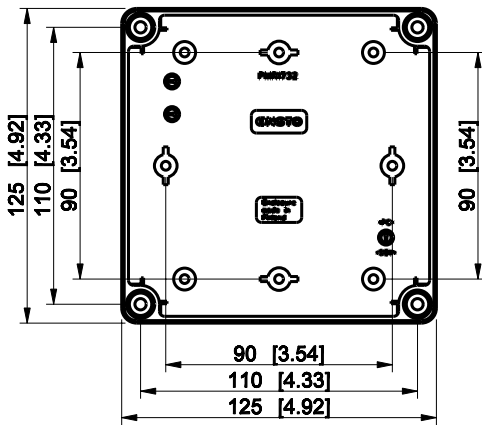
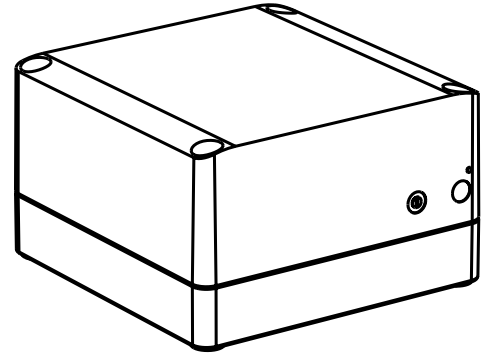
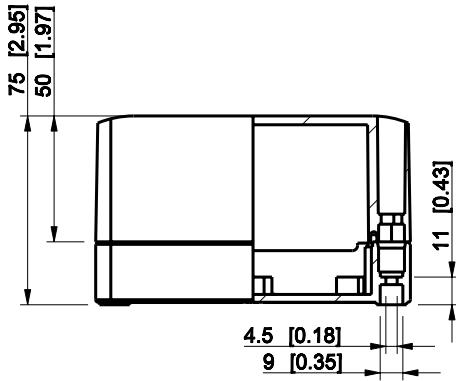
SPCP131306T

Scale	Date	04.12.08
1:3	By	PKos
-	Checked	
-	Ctrl	

Replaces:
Replaced:
Drw No: - A
Ref: Cubo S
Code: SPCP131306T
Sheet No:

model SPCP131306T PART
drawing CUBOS_2.DRAWING

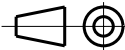
ID	Description	Date	By	Appr.
A				



Dimensions in mm [inches]

Material: Polycarbonate, fiberglass-reinforced	Color: RAL 7035
--	-----------------

Supplier:	Tool No:	Weight [kg]: 0.28	Volume:
-----------	----------	-------------------	---------



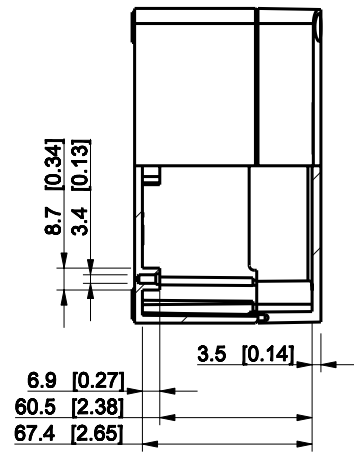
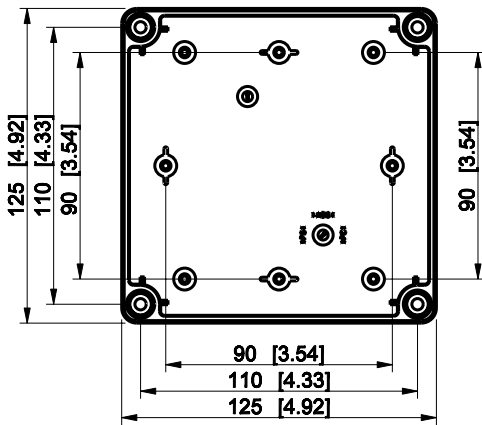
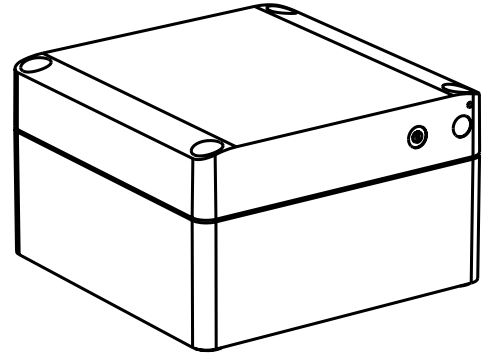
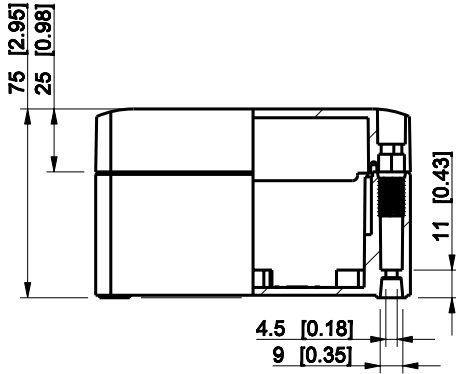
SPCP131308LT

Scale	Date	04.12.08
1:3	By	PKos
-	Checked	
-	Ctrl	

Replaces:	
Replaced:	
Drw No:	- A
Ref:	Cubo S
Code:	SPCP131308LT
Sheet No:	

model SPCP131308LT PART
 drawing CUBOS_4.DRAWING

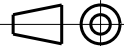
ID	Description	Date	By	Appr.
A				



Dimensions in mm [inches]

Material: Polycarbonate, fiberglass-reinforced	Color: RAL 7035
--	-----------------

Supplier:	Tool No:	Weight [kg]: 0.27	Volume:
-----------	----------	-------------------	---------



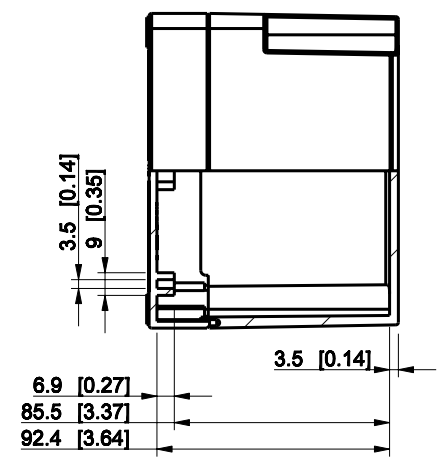
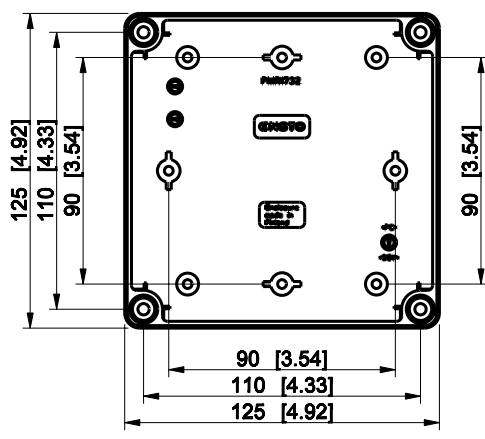
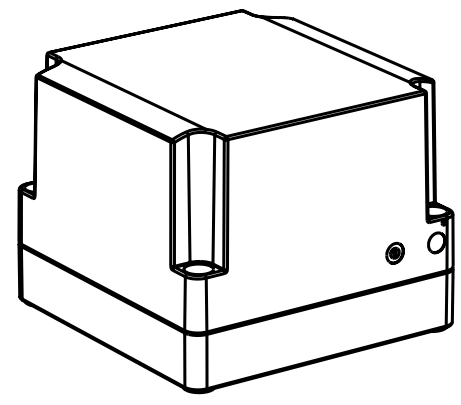
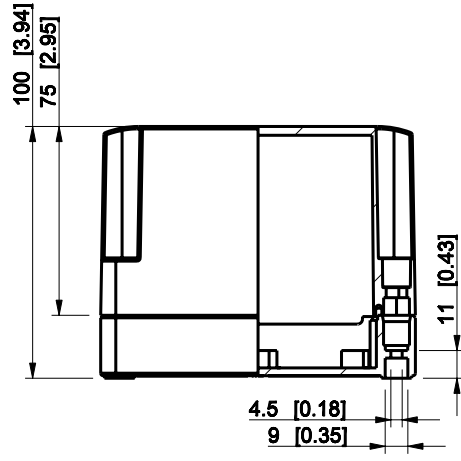
SPCP131308T

Scale	Date	08.12.08
1:3	By	PKos
-	Checked	
-	Ctrl	

Replaces:
Replaced:
Drw No: - A
Ref: Cubo S
Code: SPCP131308T
Sheet No:

model SPCP131308T PART
 drawing CUBOS DRAWING

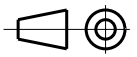
ID	Description	Date	By	Appr.
A				



Dimensions in mm [inches]

Material: Polycarbonate, fiberglass-reinforced	Color: RAL 7035
--	-----------------

Supplier:	Tool No:	Weight [kg]: 0.31	Volume:
-----------	----------	-------------------	---------



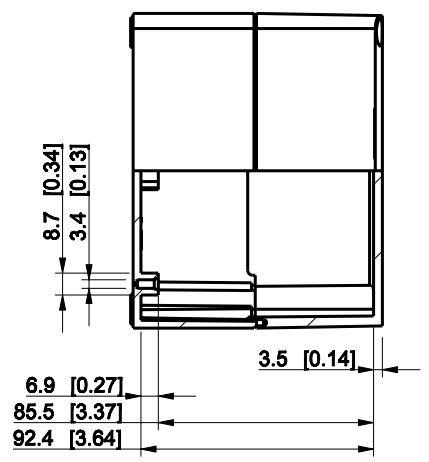
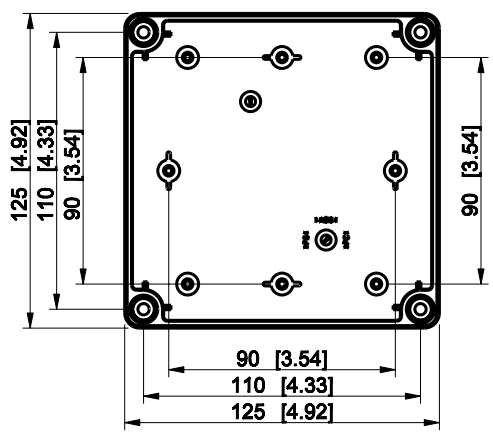
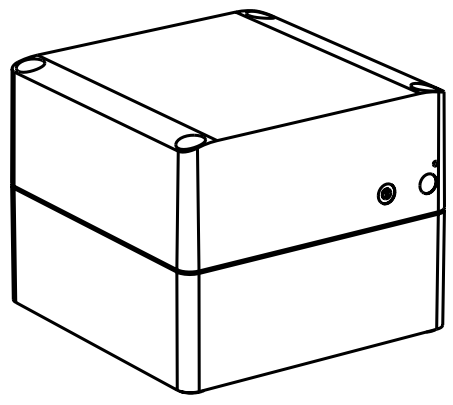
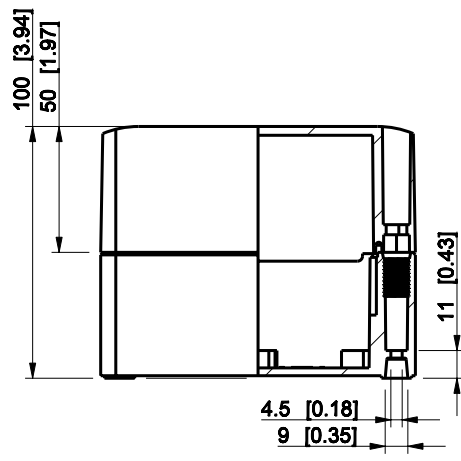
SPCP131310LT

Scale	Date	04.12.08
1:3	By	PKos
-	Checked	
-	Ctrl	

Replaces:	
Replaced:	
Drw No:	- A
Ref:	Cubo S
Code:	SPCP131310LT
Sheet No:	

model SPCP131310LT PART
drawing CUBOS_4.DRAWING

ID	Description	Date	By	Appr.
A				



Dimensions in mm [inches]

Material: Polycarbonate, fiberglass-reinforced	Color: RAL 7035
--	-----------------

Supplier:	Tool No:	Weight [kg]: 0.33	Volume:
-----------	----------	-------------------	---------



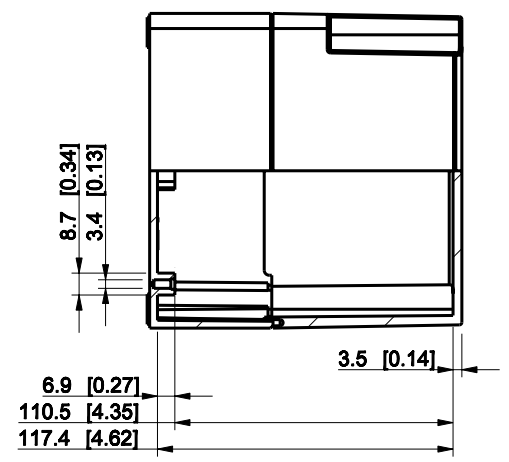
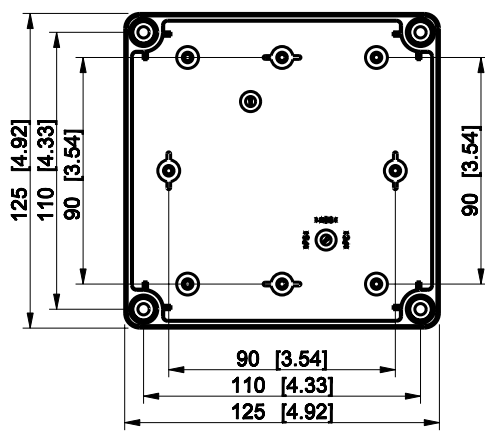
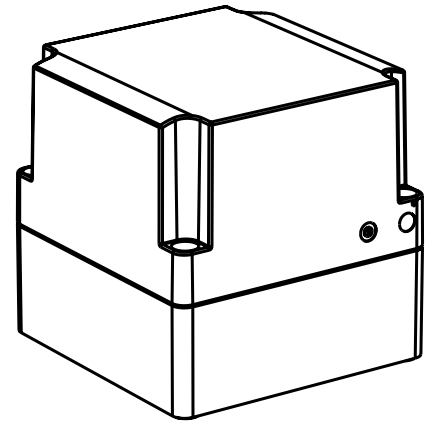
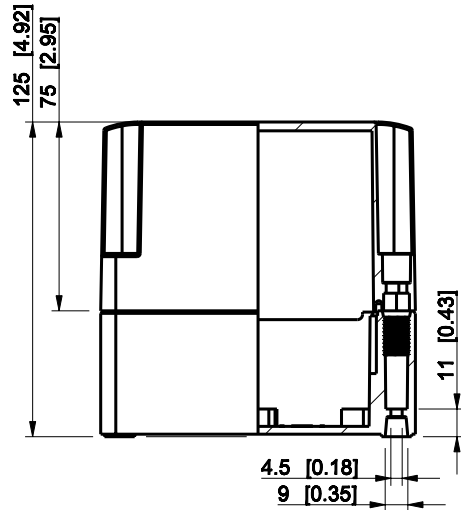
SPCP131310T

Scale	Date	08.12.08
1:3	By	PKos
-	Checked	
-	Ctrl	

Replaces:
Replaced:
Drw No: - A
Ref: Cubo S
Code: SPCP131310T
Sheet No:

model SPCP131310T PART
 drawing CUBOS DRAWING

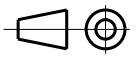
ID	Description	Date	By	Appr.
A				



Dimensions in mm [inches]

Material: Polycarbonate, fiberglass-reinforced	Color: RAL 7035
--	-----------------

Supplier:	Tool No:	Weight [kg]: 0.36	Volume:
-----------	----------	-------------------	---------



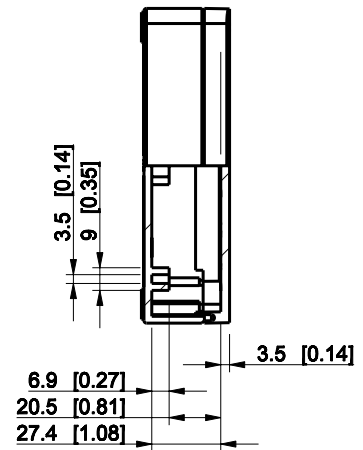
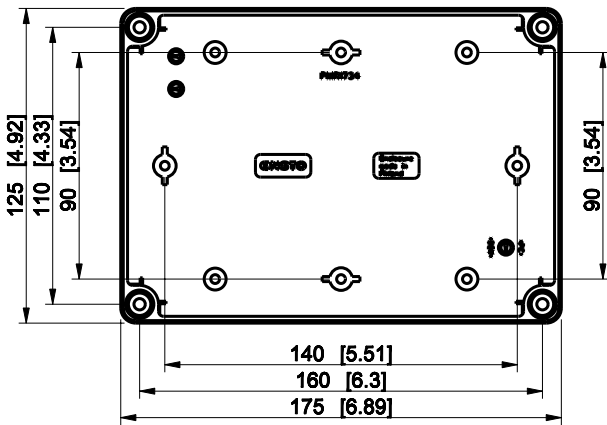
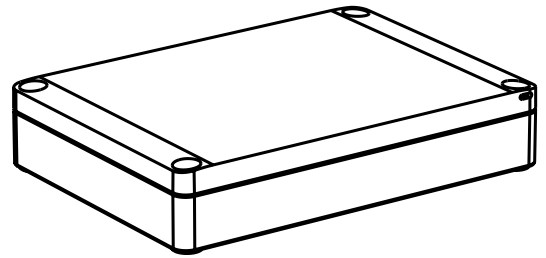
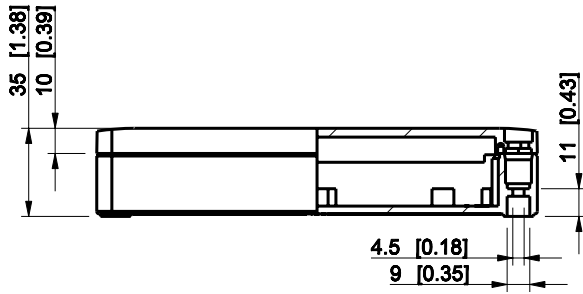
SPCP131313T

Scale	Date	08.12.08
1:3	By	PKos
-	Checked	
-	Ctrl	

Replaces:
Replaced:
Drw No: - A
Ref: Cubo S
Code: SPCP131313T
Sheet No:

model SPCP131313T PART
 drawing CUBOS DRAWING

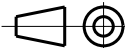
ID	Description	Date	By	Appr.
A				



Dimensions in mm [inches]

Material: Polycarbonate, fiberglass-reinforced	Color: RAL 7035
--	-----------------

Supplier:	Tool No:	Weight [kg]: 0.24	Volume:
-----------	----------	-------------------	---------



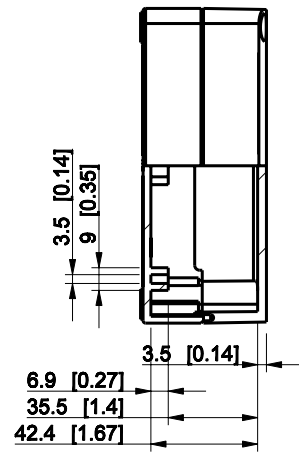
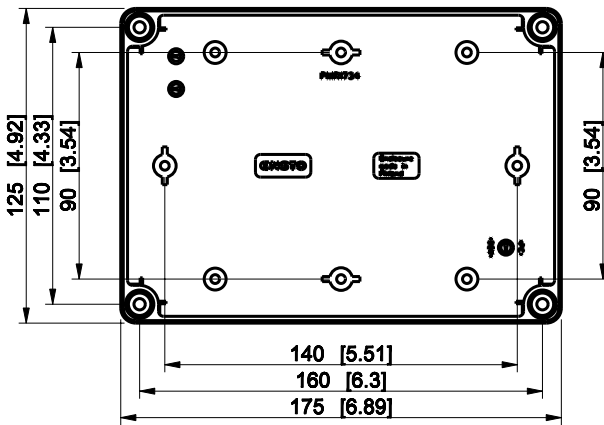
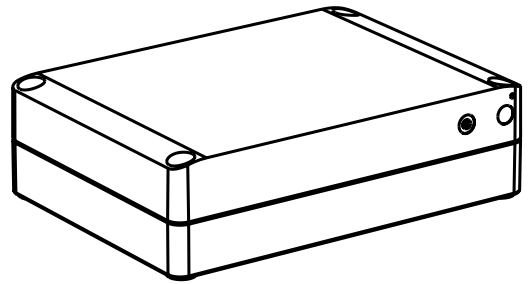
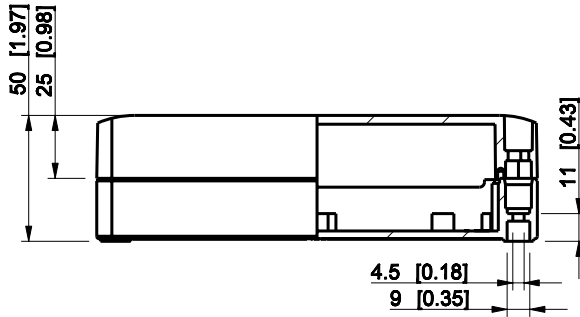
SPCP131804LT

Scale	Date	04.12.08
1:3	By	PKos
-	Checked	
-	Ctrl	

Replaces:
Replaced:
Drw No: - A
Ref: Cubo S
Code: SPCP131804LT
Sheet No:

model SPCP131804LT PART
drawing CUBOS_3.DRAWING

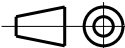
ID	Description	Date	By	Appr.
A				



Dimensions in mm [inches]

Material: Polycarbonate, fiberglass-reinforced	Color: RAL 7035
--	-----------------

Supplier:	Tool No:	Weight [kg]: 0.28	Volume:
-----------	----------	-------------------	---------



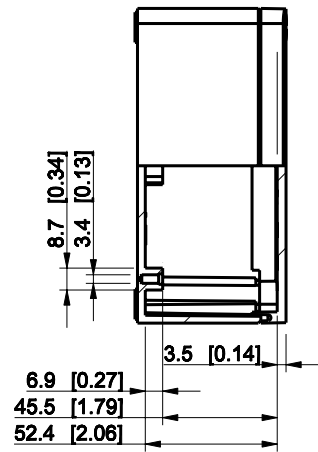
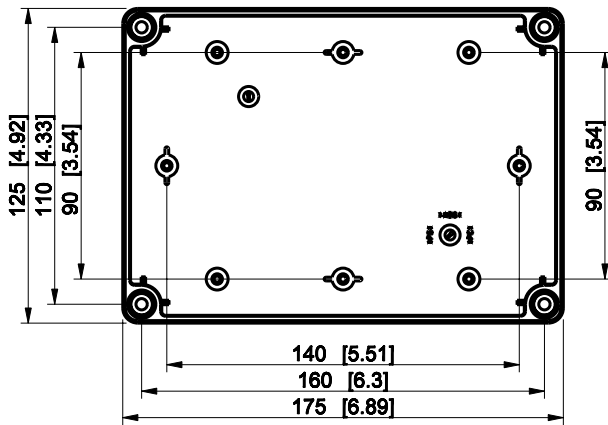
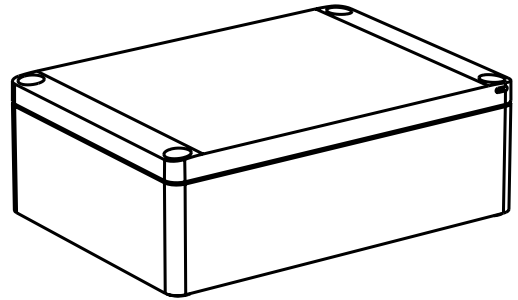
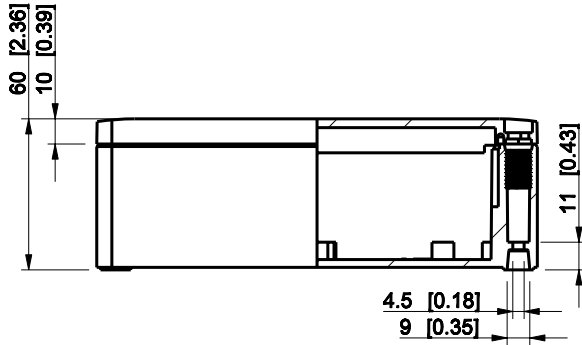
SPCP131805LT

Scale	Date	04.12.08
1:3	By	PKos
-	Checked	
-	Ctrl	

Replaces:
Replaced:
Drw No: - A
Ref: Cubo S
Code: SPCP131805LT
Sheet No:

model SPCP131805LT PART
drawing CUBOS_4.DRAWING

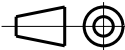
ID	Description	Date	By	Appr.
A				



Dimensions in mm [inches]

Material: Polycarbonate, fiberglass-reinforced	Color: RAL 7035
--	-----------------

Supplier:	Tool No:	Weight [kg]: 0.30	Volume:
-----------	----------	-------------------	---------



SPCP131806T

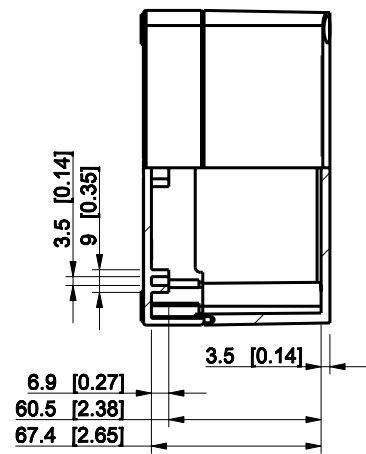
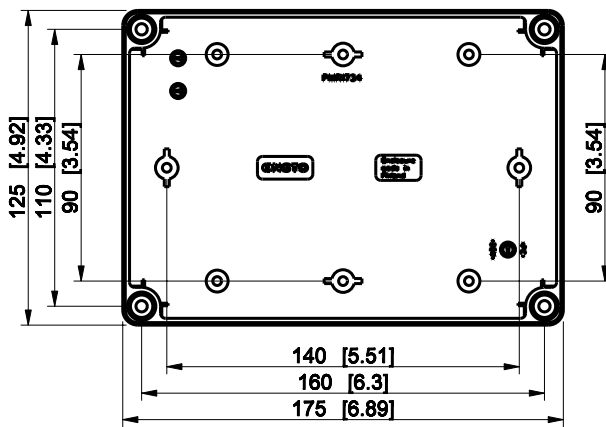
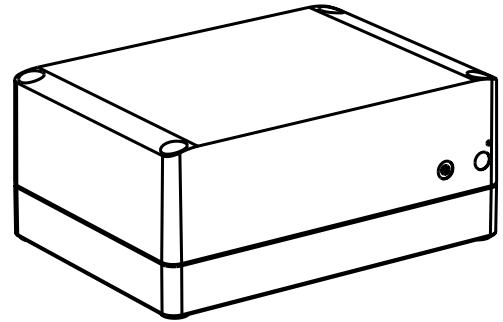
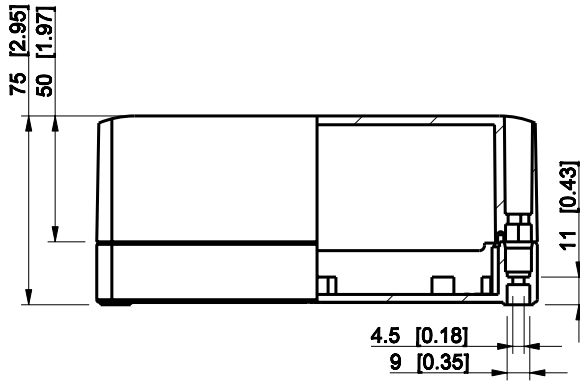
Scale	Date	04.12.08
1:3	By	PKos
-	Checked	
-	Ctrl	

Replaces:
Replaced:
Drw No: - A
Ref: Cubo S
Code: SPCP131806T
Sheet No:

model SPCP131806T PART

drawing CUBOS_2.DRAWING

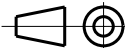
ID	Description	Date	By	Appr.
A				



Dimensions in mm [inches]

Material: Polycarbonate, fiberglass-reinforced	Color: RAL 7035
--	-----------------

Supplier:	Tool No:	Weight [kg]: 0.36	Volume:
-----------	----------	-------------------	---------



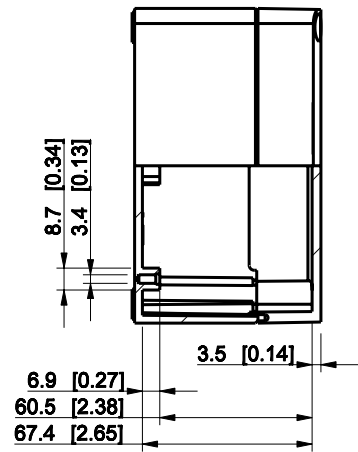
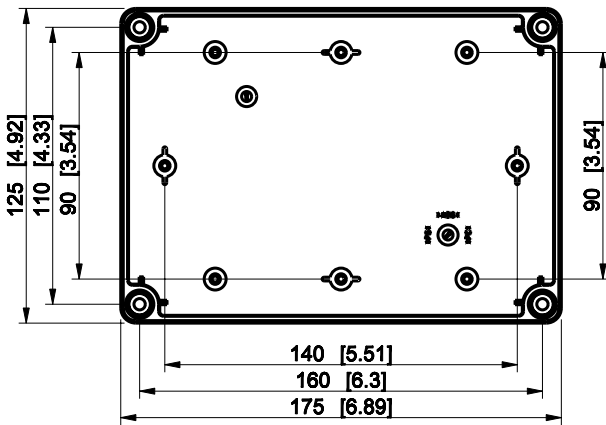
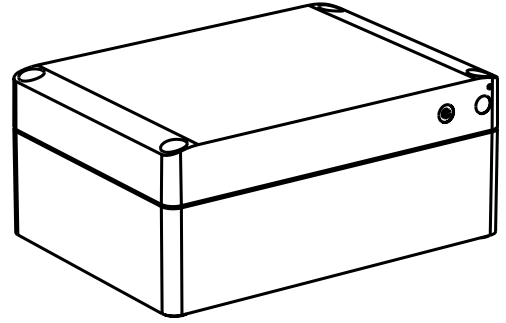
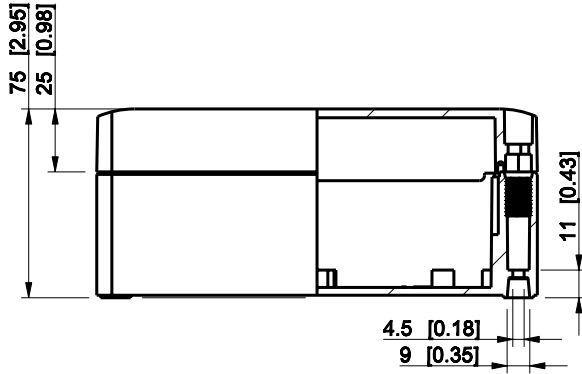
SPCP131808LT

Scale	Date	04.12.08
1:3	By	PKos
-	Checked	
-	Ctrl	

Replaces:	
Replaced:	
Drw No:	- A
Ref:	Cubo S
Code:	SPCP131808LT
Sheet No:	

model SPCP131808LT PART
drawing CUBOS_4.DRAWING

ID	Description	Date	By	Appr.
A				

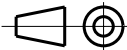


Dimensions in mm [inches]

Material: Polycarbonate, fiberglass-reinforced	Color: RAL 7035
--	-----------------

Supplier:	Tool No:	Weight [kg]: 0.34	Volume:
-----------	----------	-------------------	---------

ENSTO
ENSTO CONTROL OY



SPCP131808T

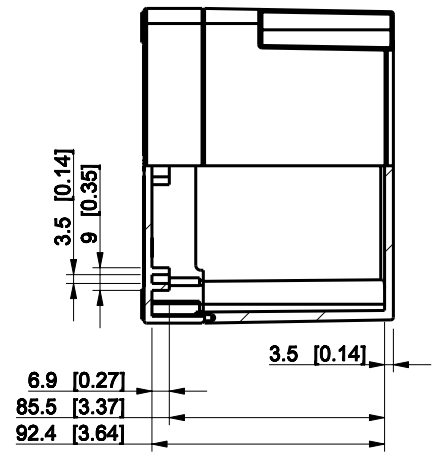
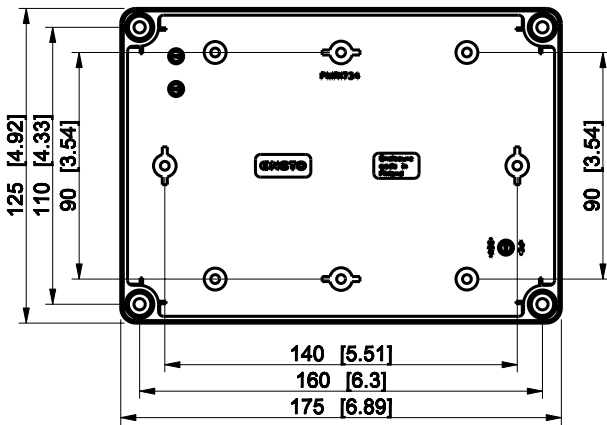
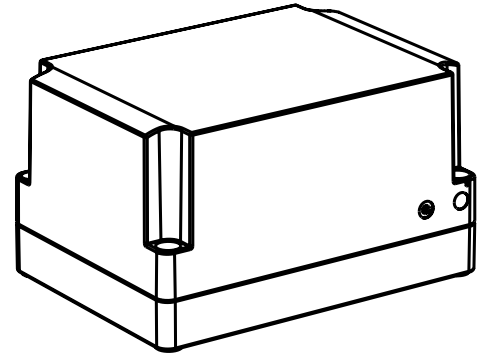
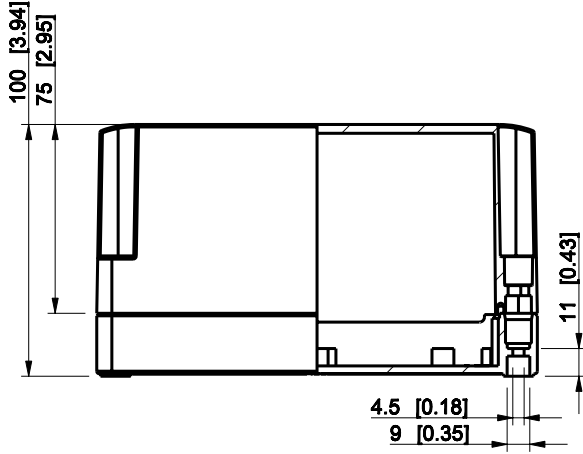
Scale	Date	08.12.08
1:3	By	PKos
-	Checked	
-	Ctrl	

Replaces:
Replaced:
Drw No: - A
Ref: Cubo S
Code: SPCP131808T
Sheet No:

model SPCP131808T PART

drawing CUBOS DRAWING

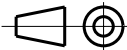
ID	Description	Date	By	Appr.
A				



Dimensions in mm [inches]

Material: Polycarbonate, fiberglass-reinforced	Color: RAL 7035
--	-----------------

Supplier:	Tool No:	Weight [kg]: 0.40	Volume:
-----------	----------	-------------------	---------



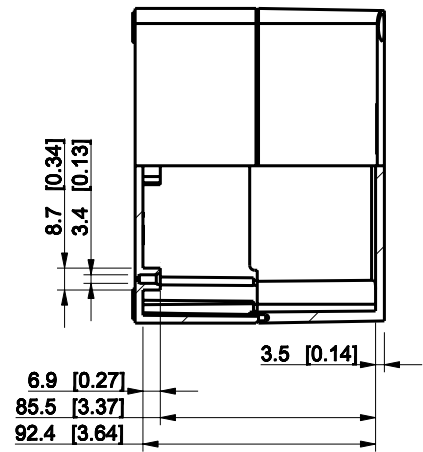
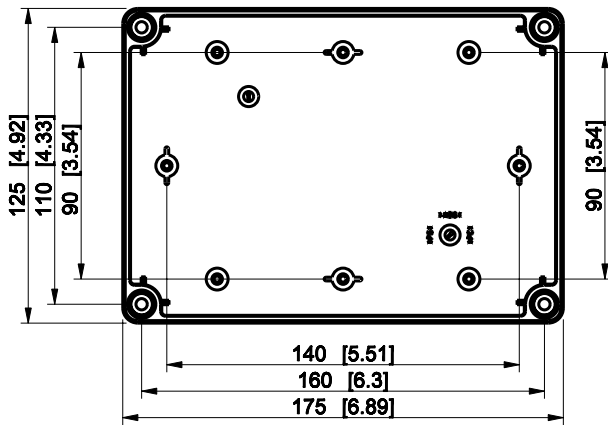
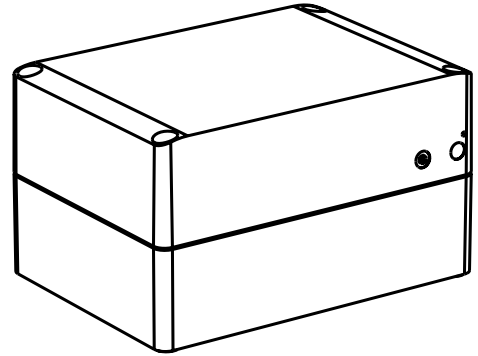
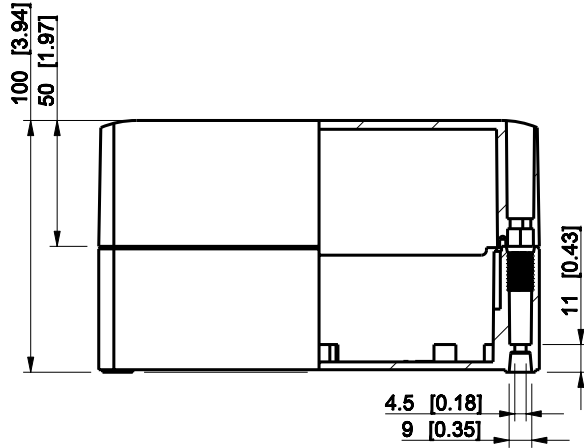
SPCP131810LT

Scale	Date	04.12.08
1:3	By	PKos
-	Checked	
-	Ctrl	

Replaces:	
Replaced:	
Drw No:	- A
Ref:	Cubo S
Code:	SPCP131810LT
Sheet No:	

model SPCP131810LT PART
 drawing CUBOS_4.DRAWING

ID	Description	Date	By	Appr.
A				

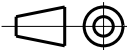


Dimensions in mm [inches]

Material: Polycarbonate, fiberglass-reinforced	Color: RAL 7035
--	-----------------

Supplier:	Tool No:	Weight [kg]: 0.42	Volume:
-----------	----------	-------------------	---------

ENSTO
ENSTO CONTROL OY



SPCP131810T

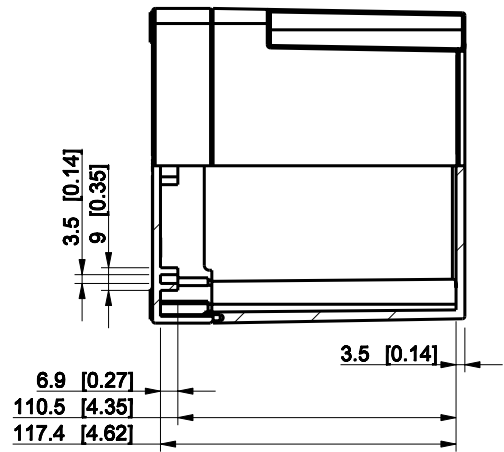
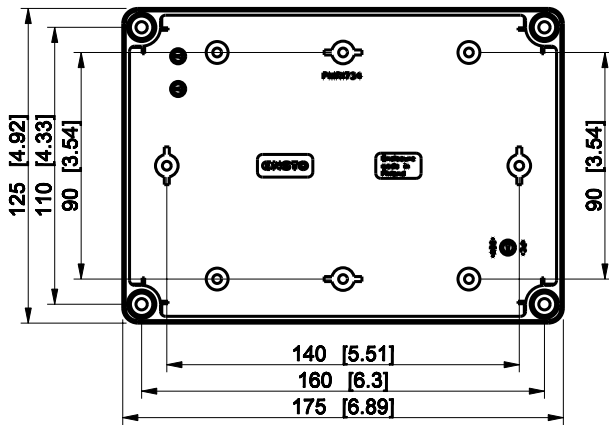
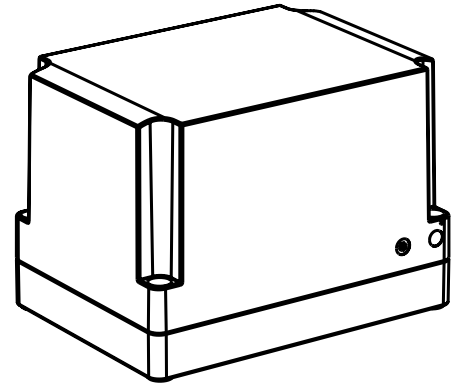
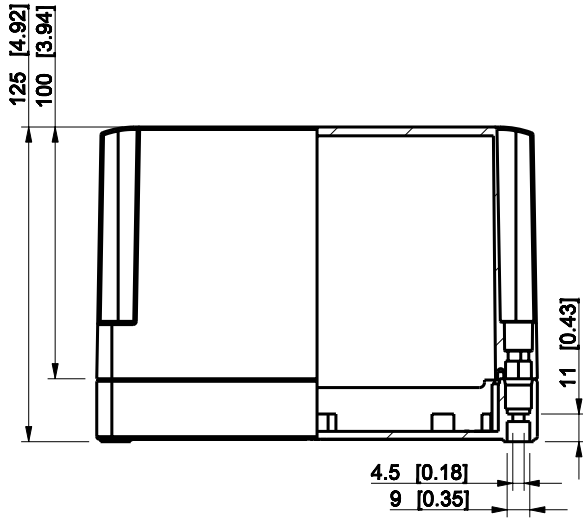
Scale	Date	08.12.08
1:3	By	PKos
-	Checked	
-	Ctrl	

Replaces:
Replaced:
Drw No: - A
Ref: Cubo S
Code: SPCP131810T
Sheet No:

model SPCP131810T PART

drawing CUBOS DRAWING

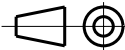
ID	Description	Date	By	Appr.
A				



Dimensions in mm [inches]

Material: Polycarbonate, fiberglass-reinforced	Color: RAL 7035
--	-----------------

Supplier:	Tool No:	Weight [kg]: 0.46	Volume:
-----------	----------	-------------------	---------



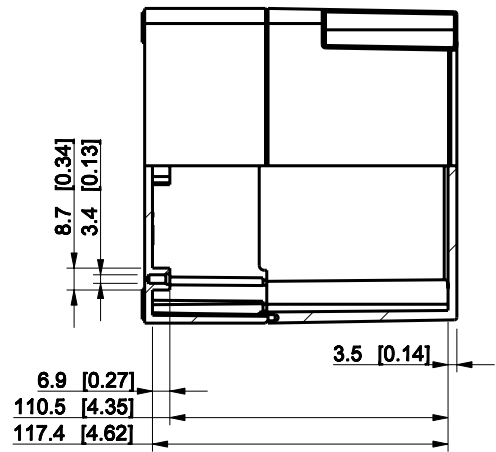
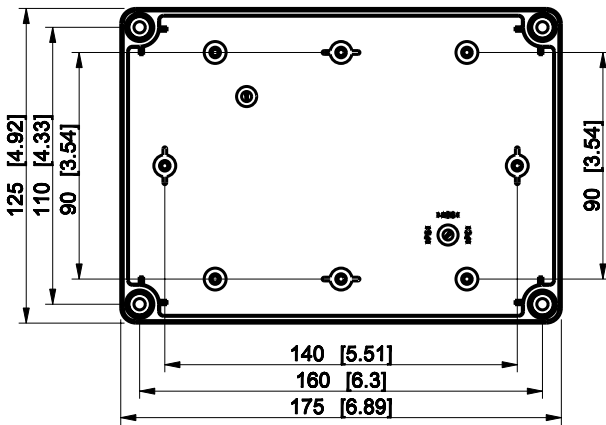
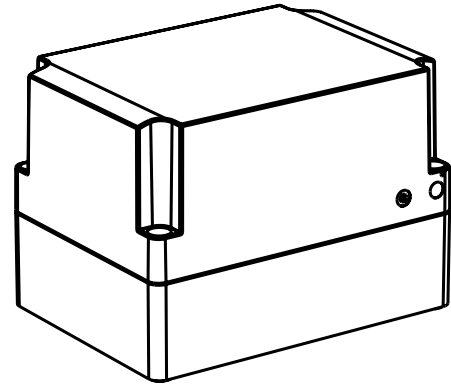
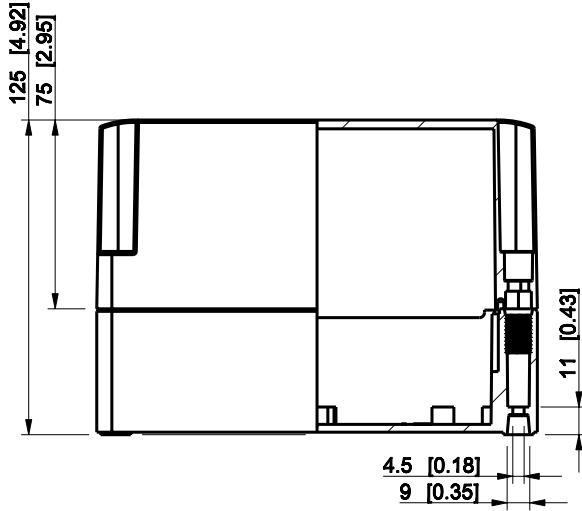
SPCP131813LT

Scale	Date	04.12.08
1:3	By	PKos
-	Checked	
-	Ctrl	

Replaces:
Replaced:
Drw No: - A
Ref: Cubo S
Code: SPCP131813LT
Sheet No:

model SPCP131813LT PART
 drawing CUBOS_4.DRAWING

ID	Description	Date	By	Appr.
A				

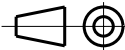


Dimensions in mm [inches]

Material: Polycarbonate, fiberglass-reinforced	Color: RAL 7035
--	-----------------

Supplier:	Tool No:	Weight [kg]: 0.46	Volume:
-----------	----------	-------------------	---------

ENSTO
ENSTO CONTROL OY



SPCP131813T

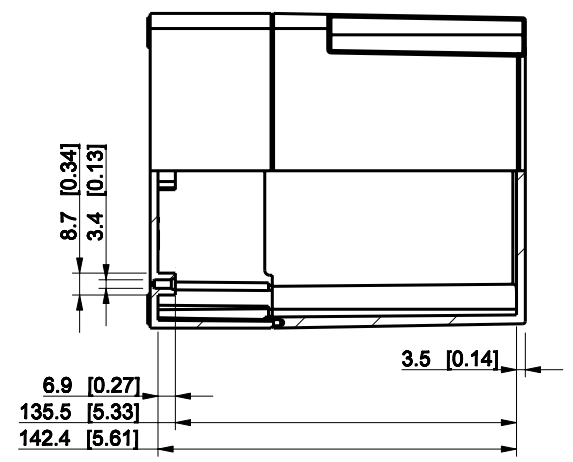
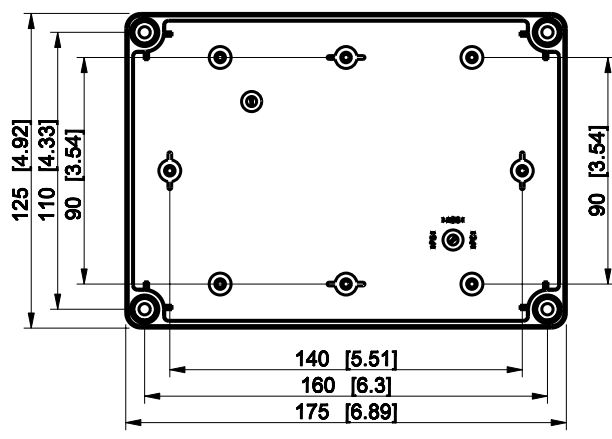
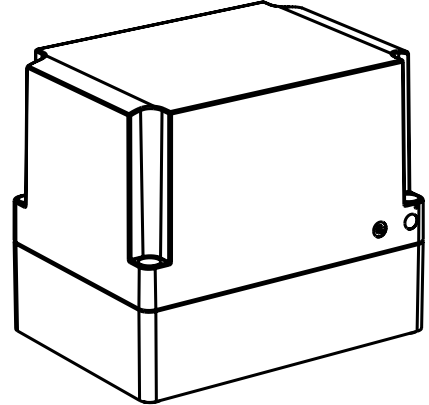
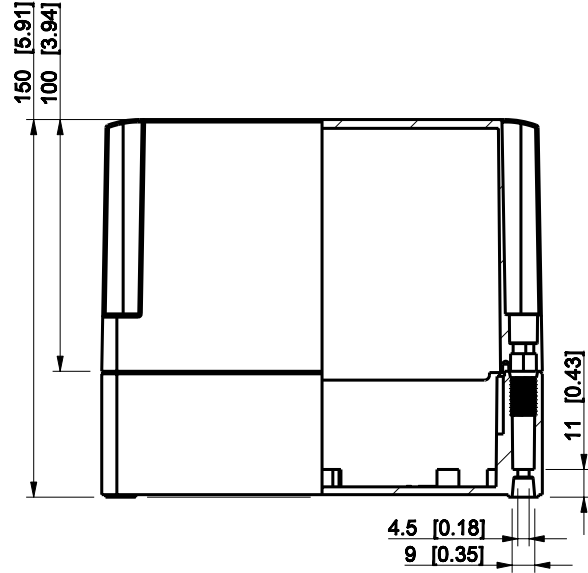
Scale	Date	08.12.08
1:3	By	PKos
-	Checked	
-	Ctrl	

Replaces:
Replaced:
Drw No: - A
Ref: Cubo S
Code: SPCP131813T
Sheet No:

model SPCP131813T PART

drawing CUBOS DRAWING

ID	Description	Date	By	Appr.
A				



Dimensions in mm [inches]

Material: Polycarbonate, fiberglass-reinforced Color: RAL 7035

Supplier: Tool No: Weight [kg]: 0.52 Volume:



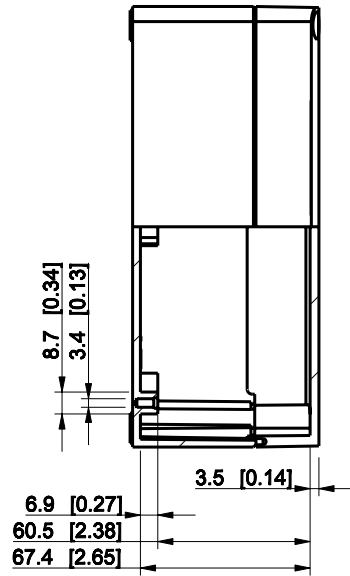
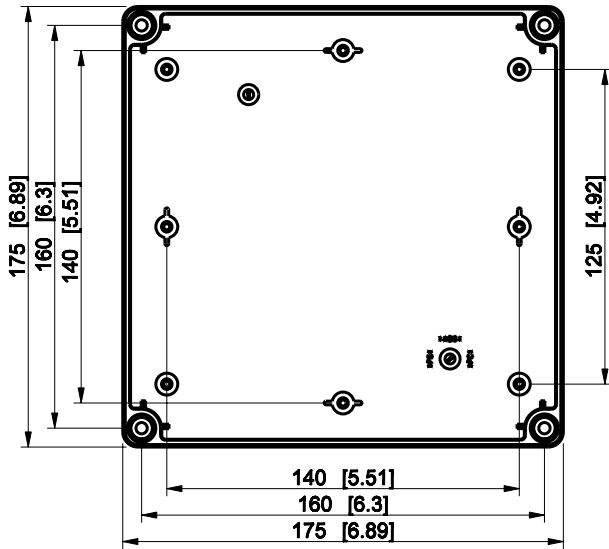
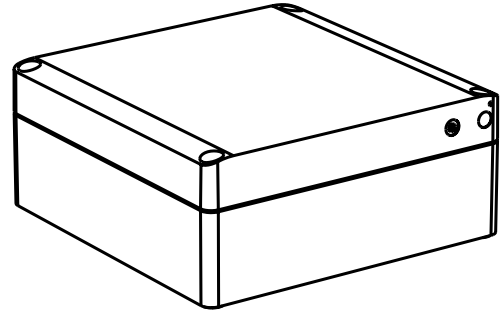
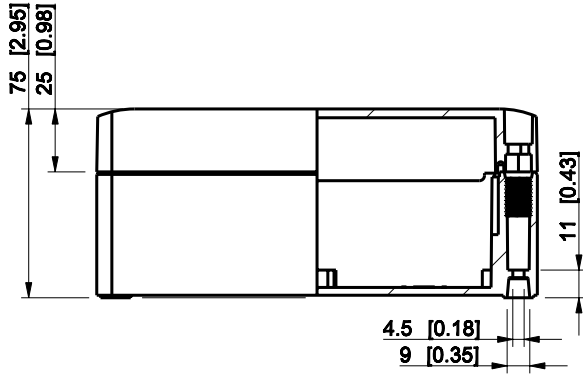
SPCP131815T

Scale	Date	08.12.08
1:3	By	PKos
-	Checked	
-	Ctrl	

Replaces:	
Replaced:	
Drw No:	- A
Ref:	Cubo S
Code:	SPCP131815T
Sheet No:	

model SPCP131815T PART
 drawing CUBOS DRAWING

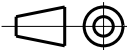
ID	Description	Date	By	Appr.
A				



Dimensions in mm [inches]

Material: Polycarbonate, fiberglass-reinforced	Color: RAL 7035
--	-----------------

Supplier:	Tool No:	Weight [kg]: 0.44	Volume:
-----------	----------	-------------------	---------



SPCP181808T

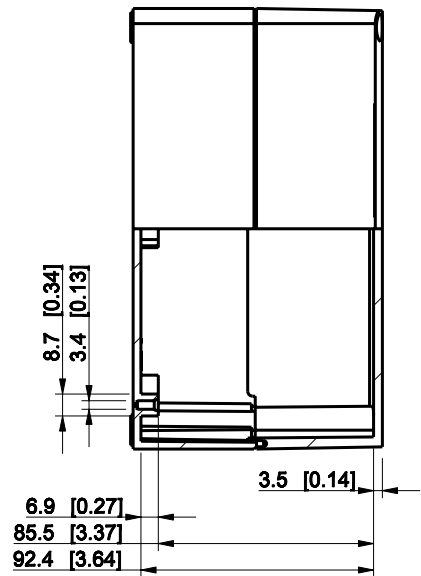
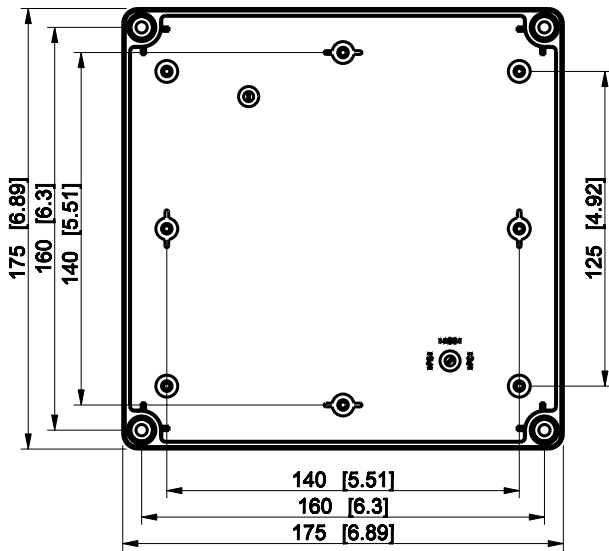
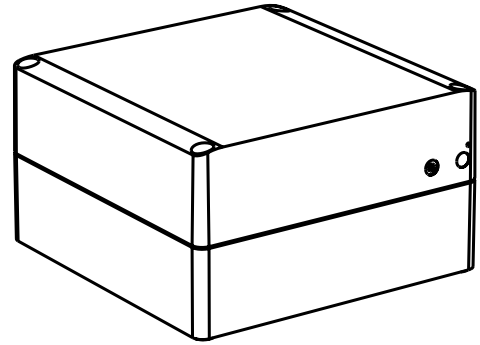
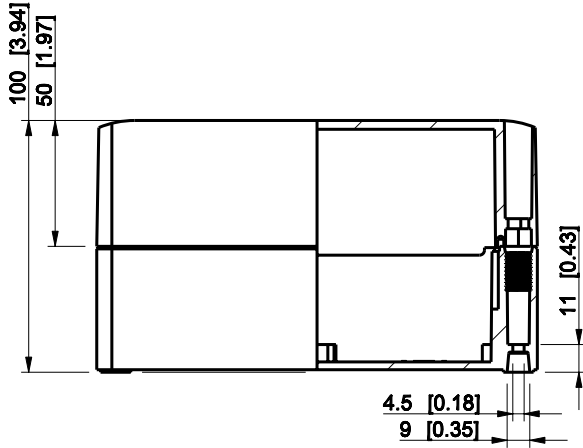
Scale	Date	08.12.08
1:3	By	PKos
-	Checked	
-	Ctrl	

Replaces:	
Replaced:	
Drw No:	- A
Ref:	Cubo S
Code:	SPCP181808T
Sheet No:	

model SPCP181808T PART

drawing CUBOS DRAWING

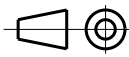
ID	Description	Date	By	Appr.
A				



Dimensions in mm [inches]

Material: Polycarbonate, fiberglass-reinforced	Color: RAL 7035
--	-----------------

Supplier:	Tool No:	Weight [kg]: 0.52	Volume:
-----------	----------	-------------------	---------



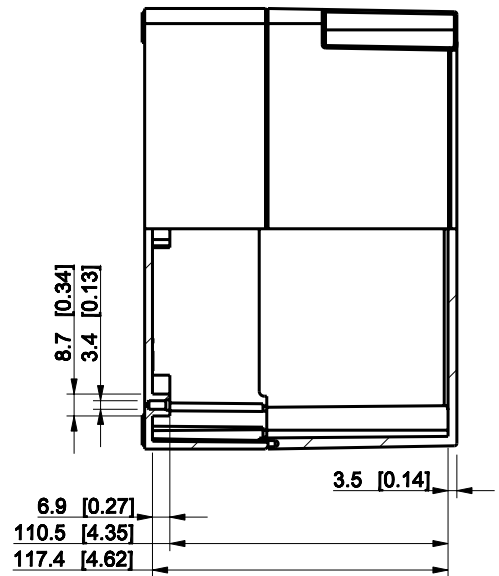
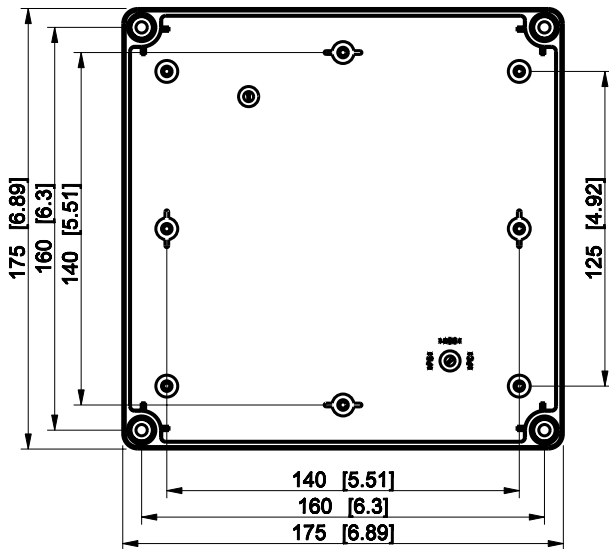
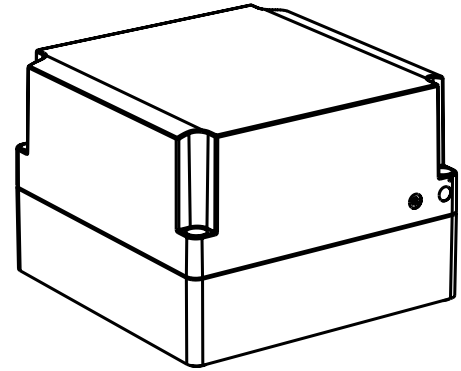
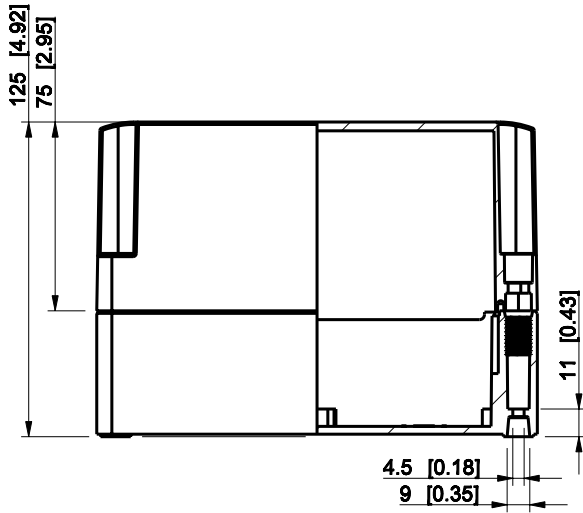
SPCP181810T

Scale	Date	08.12.08
1:3	By	PKos
-	Checked	
-	Ctrl	

Replaces:	
Replaced:	
Drw No:	- A
Ref:	Cubo S
Code:	SPCP181810T
Sheet No:	

model SPCP181810T PART
 drawing CUBOS DRAWING

ID	Description	Date	By	Appr.
A				



Dimensions in mm [inches]

Material: Polycarbonate, fiberglass-reinforced	Color: RAL 7035
--	-----------------

Supplier:	Tool No:	Weight [kg]: 0.58	Volume:
-----------	----------	-------------------	---------



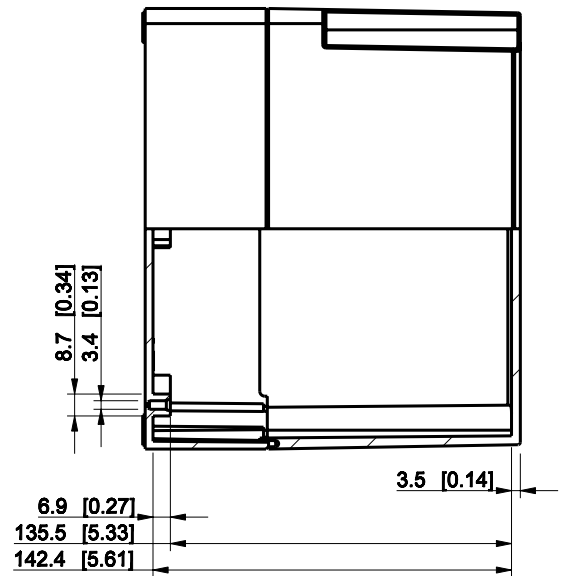
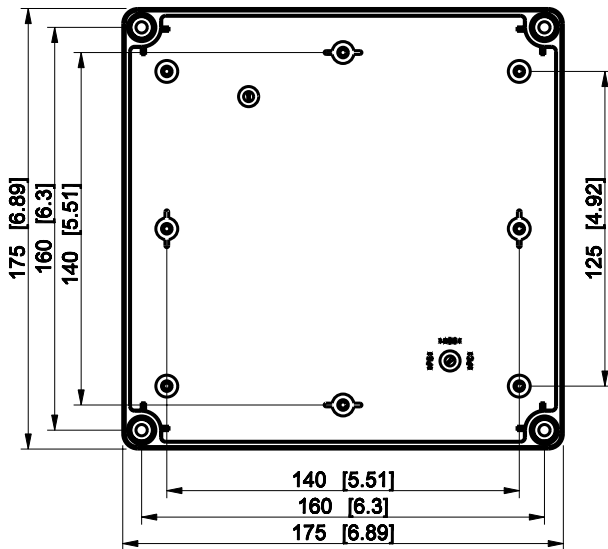
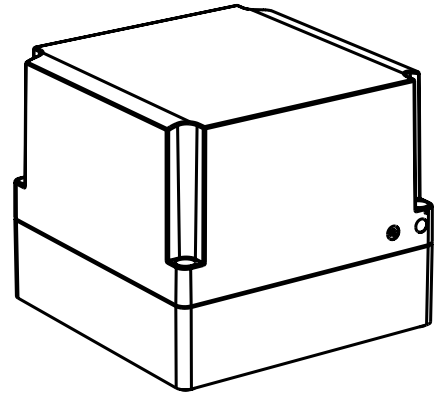
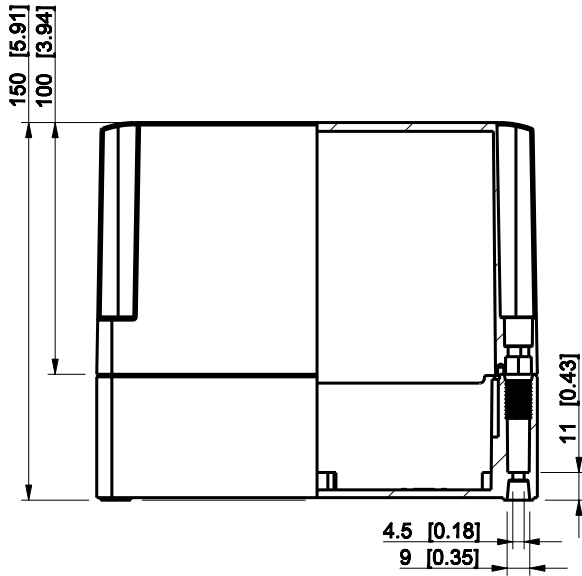
SPCP181813T

Scale	Date	08.12.08
1:3	By	PKos
-	Checked	
-	Ctrl	

Replaces:	
Replaced:	
Drw No:	- A
Ref:	Cubo S
Code:	SPCP181813T
Sheet No:	

model SPCP181813T PART
 drawing CUBOS DRAWING

ID	Description	Date	By	Appr.
A				

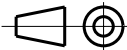


Dimensions in mm [inches]

Material: Polycarbonate, fiberglass-reinforced	Color: RAL 7035
--	-----------------

Supplier:	Tool No:	Weight [kg]: 0.65	Volume:
-----------	----------	-------------------	---------

ENSTO
ENSTO CONTROL OY



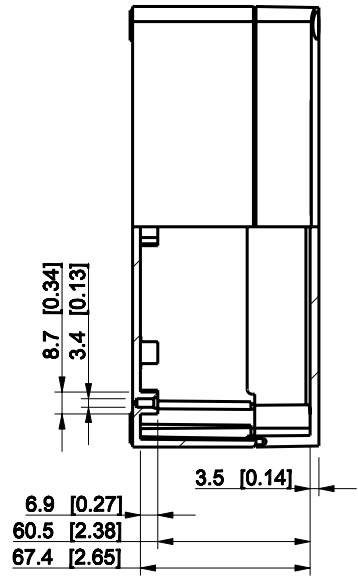
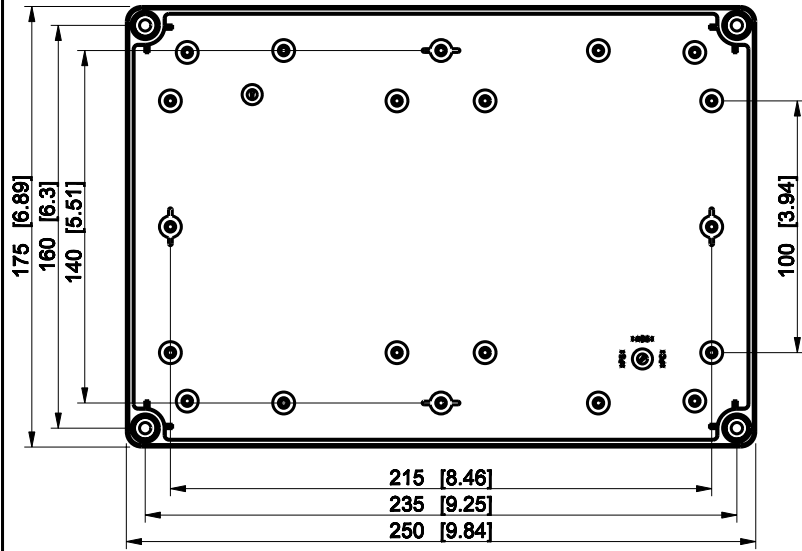
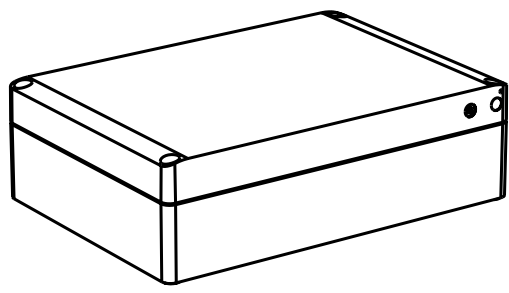
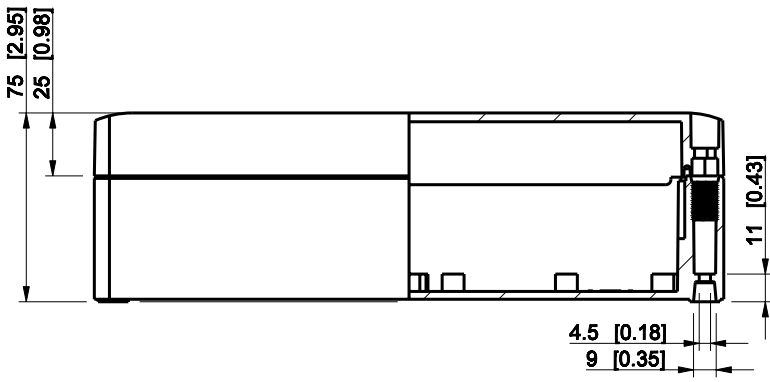
SPCP181815T

Scale	Date	08.12.08
1:3	By	PKos
-	Checked	
-	Ctrl	

Replaces:
Replaced:
Drw No: - A
Ref: Cubo S
Code: SPCP181815T
Sheet No:

model SPCP181815T PART
drawing CUBOS DRAWING

ID	Description	Date	By	Appr.
A				



Dimensions in mm [inches]

Material: Polycarbonate, fiberglass-reinforced Color: RAL 7035

Supplier: Tool No: Weight [kg]: 0.58 Volume:



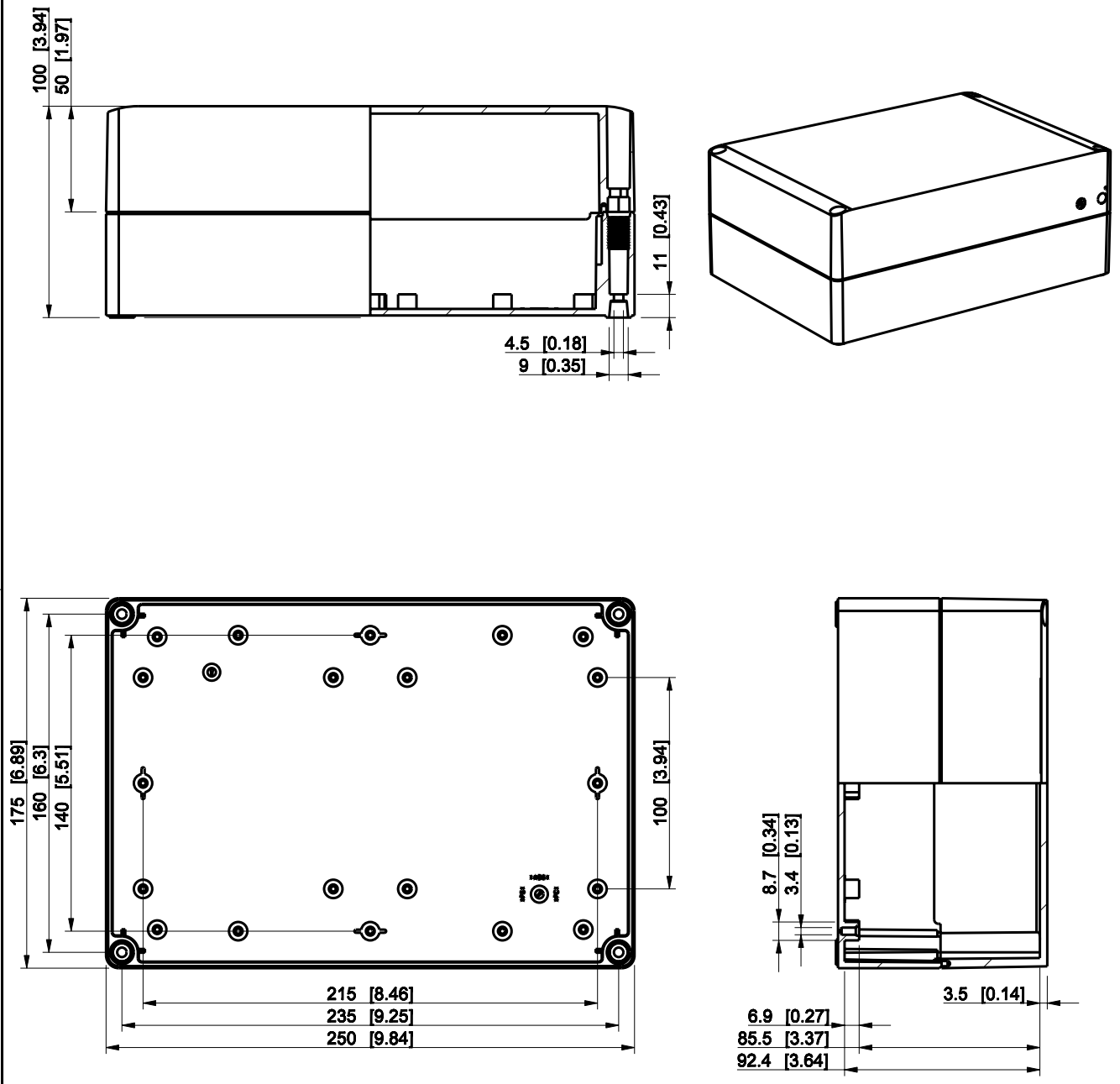
SPCP182508T

Replaces:
Replaced:
Drw No: - A
Ref: Cubo S
Code: SPCP182508T
Sheet No:

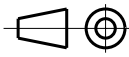
Scale	Date	08.12.08
1:3	By	PKos
-	Checked	
-	Ctrl	

model SPCP182508T PART
 drawing CUBOS DRAWING

ID	Description	Date	By	Appr.
A				

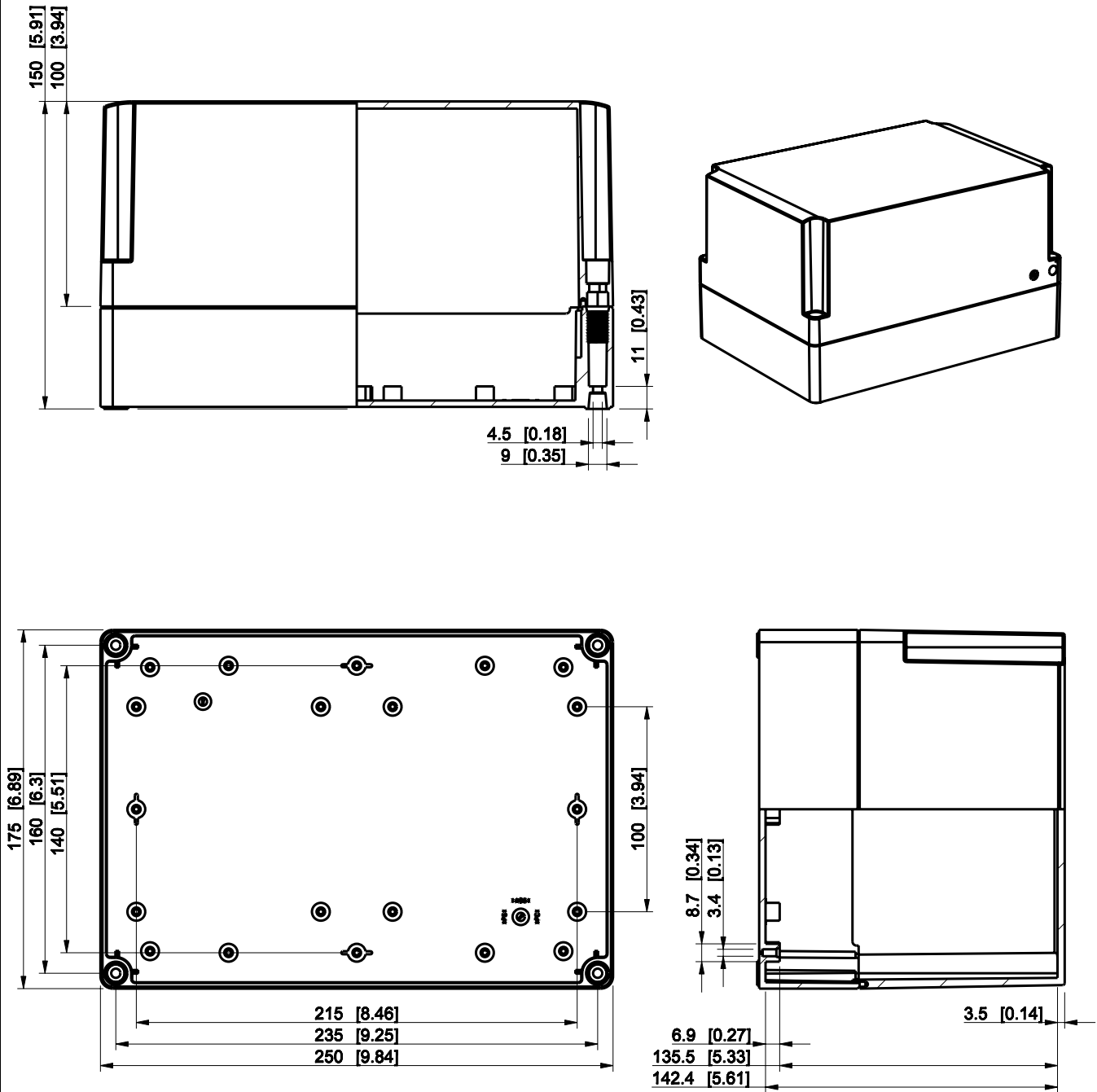


Dimensions in mm [inches]

Material: Polycarbonate, fiberglass-reinforced		Color: RAL 7035					
Supplier:		Tool No:					
Weight [kg]: 0.69		Volume:					
ENSTO ENSTO CONTROL OY				SPCP182510T			
						Replaces:	
						Replaced:	
						Drw No: - A	
						Ref: Cubo S	
Scale	Date	08.12.08					
1:3	By	PKos					
-	Checked						
-	Ctrl						
Code: SPCP182510T		Sheet No:					

model SPCP182510T PART
 drawing CUBOS DRAWING

ID	Description	Date	By	Appr.
A				



Dimensions in mm [inches]

Material: Polycarbonate, fiberglass-reinforced	Color: RAL 7035
--	-----------------

Supplier:	Tool No:	Weight [kg]: 0.85	Volume:
-----------	----------	-------------------	---------

ENSTO ENSTO CONTROL OY		<h1>SPCP182515T</h1>		Replaces:
				Replaced:
				Drw No: - A
				Ref: Cubo S

Scale	Date	08.12.08
1:3	By	PKos
-	Checked	
-	Ctrl	

model SPCP182515T PART
 drawing CUBOS DRAWING

Sheet No: