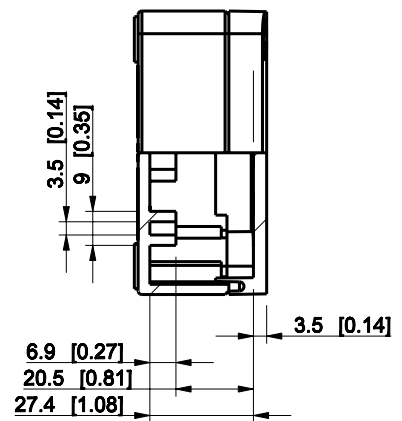
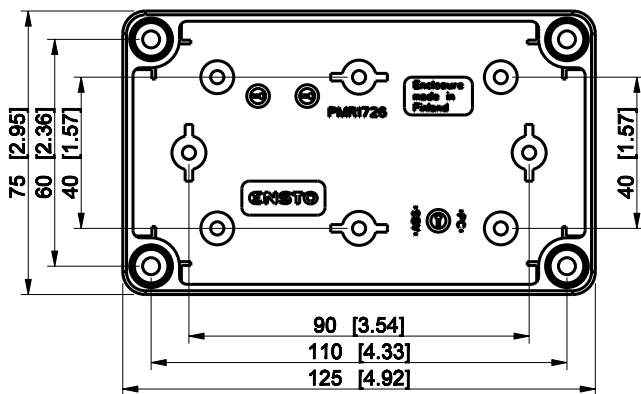
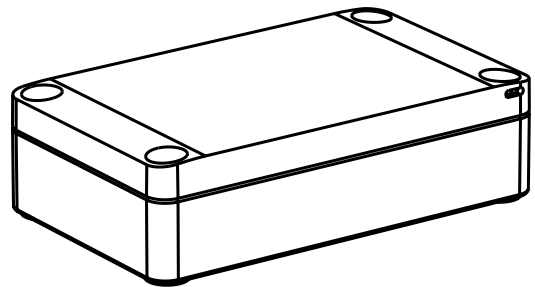
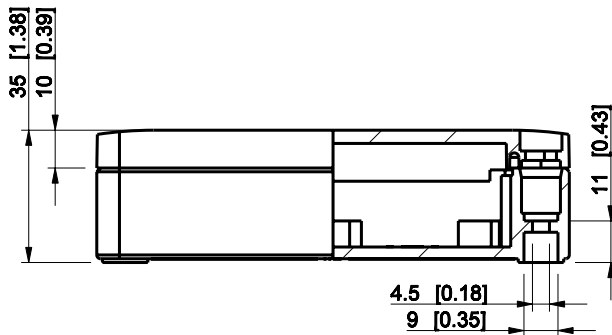


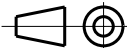
| ID | Description | Date | By | Appr. |
|----|-------------|------|----|-------|
| A | | | | |



Dimensions in mm [inches]

| | |
|--|-----------------|
| Material: Polycarbonate, fiberglass-reinforced | Color: RAL 7035 |
|--|-----------------|

| | | | |
|-----------|----------|-------------------|---------|
| Supplier: | Tool No: | Weight [kg]: 0.12 | Volume: |
|-----------|----------|-------------------|---------|



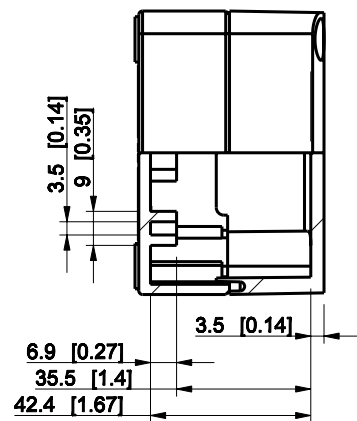
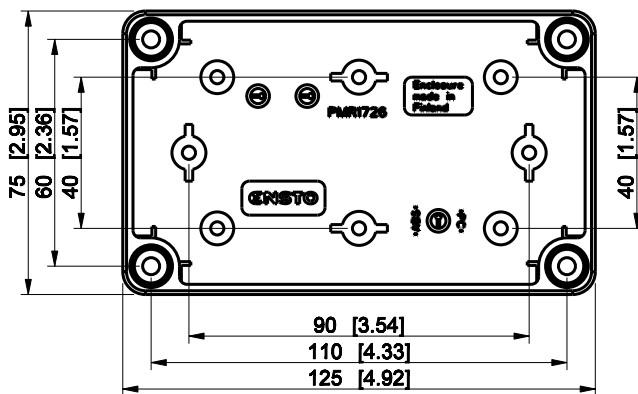
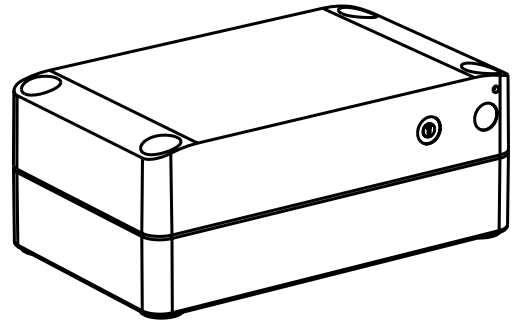
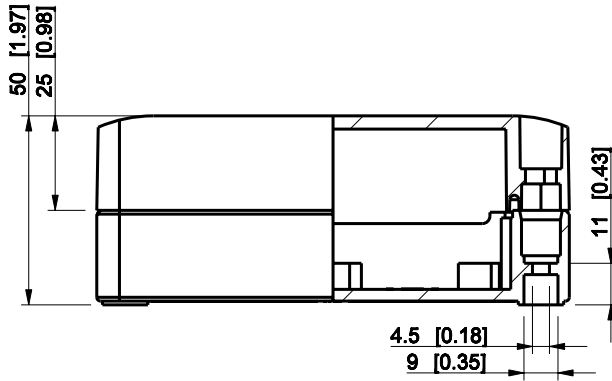
SPCP081304LG

| | | |
|-------|---------|----------|
| Scale | Date | 04.12.08 |
| 1:2 | By | PKos |
| - | Checked | |
| - | Ctrl | |

| |
|--------------------|
| Replaces: |
| Replaced: |
| Drw No: - A |
| Ref: Cubo S |
| Code: SPCP081304LG |
| Sheet No: |

model SPCP081304LG PART
drawing CUBOS_3_DRAWING

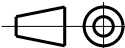
| ID | Description | Date | By | Appr. |
|----|-------------|------|----|-------|
| A | | | | |



Dimensions in mm [inches]

| | |
|--|-----------------|
| Material: Polycarbonate, fiberglass-reinforced | Color: RAL 7035 |
|--|-----------------|

| | | | |
|-----------|----------|-------------------|---------|
| Supplier: | Tool No: | Weight [kg]: 0.15 | Volume: |
|-----------|----------|-------------------|---------|



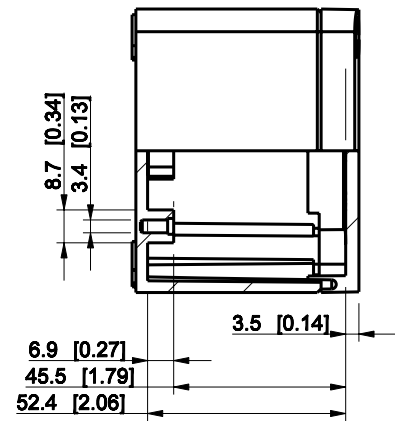
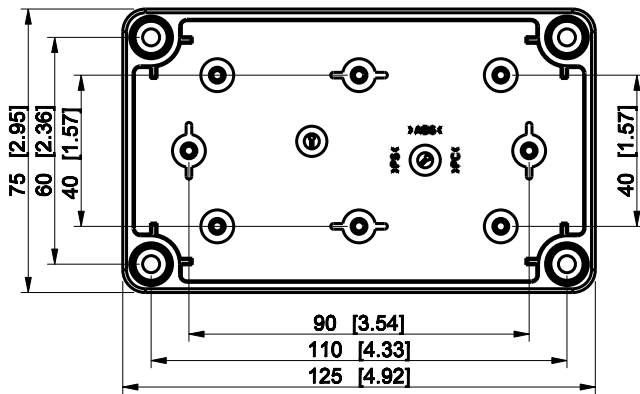
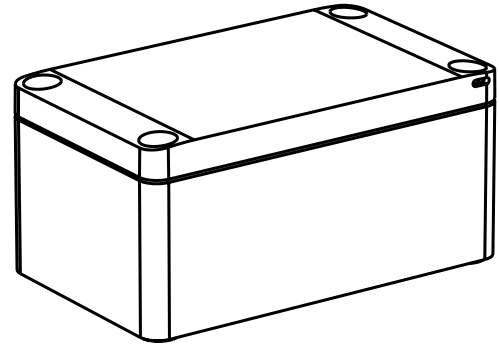
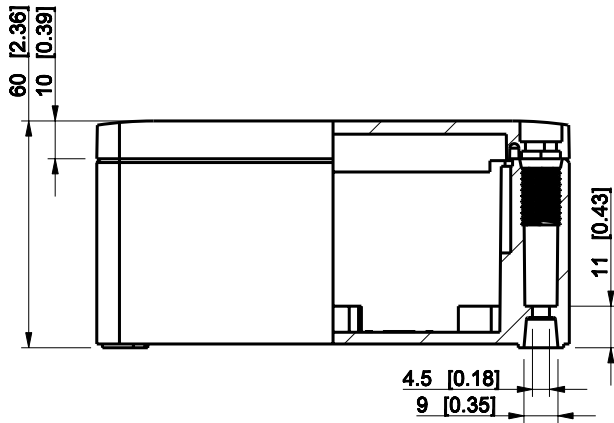
SPCP081305LG

| | | |
|-------|---------|----------|
| Scale | Date | 04.12.08 |
| 1:2 | By | PKos |
| - | Checked | |
| - | Ctrl | |

| | |
|-----------|--------------|
| Replaces: | |
| Replaced: | |
| Drw No: | - A |
| Ref: | Cubo S |
| Code: | SPCP081305LG |
| Sheet No: | |

model SPCP081305LG PART
drawing CUBOS_4_DRAWING

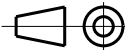
| ID | Description | Date | By | Appr. |
|----|-------------|------|----|-------|
| A | | | | |



Dimensions in mm [inches]

| | |
|--|-----------------|
| Material: Polycarbonate, fiberglass-reinforced | Color: RAL 7035 |
|--|-----------------|

| | | | |
|-----------|----------|-------------------|---------|
| Supplier: | Tool No: | Weight [kg]: 0.16 | Volume: |
|-----------|----------|-------------------|---------|



SPCP081306G

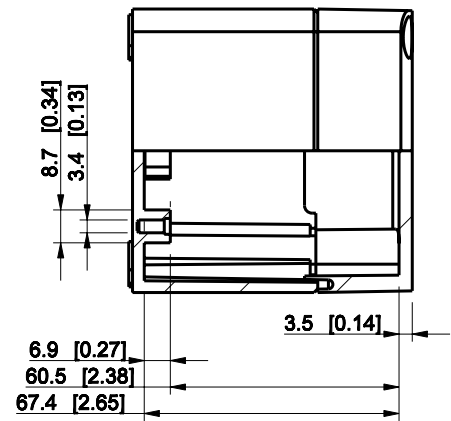
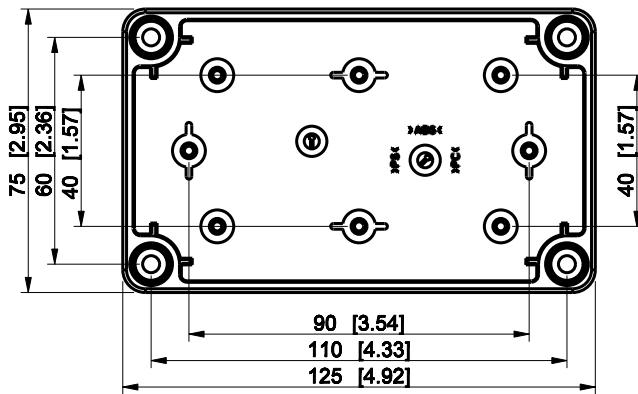
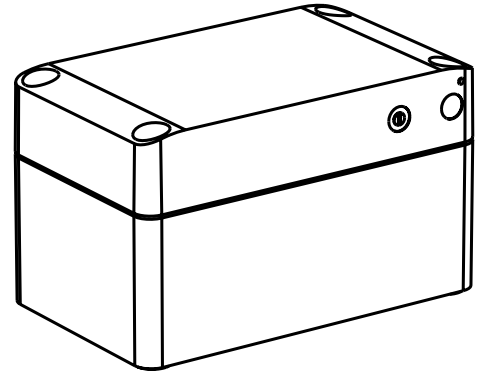
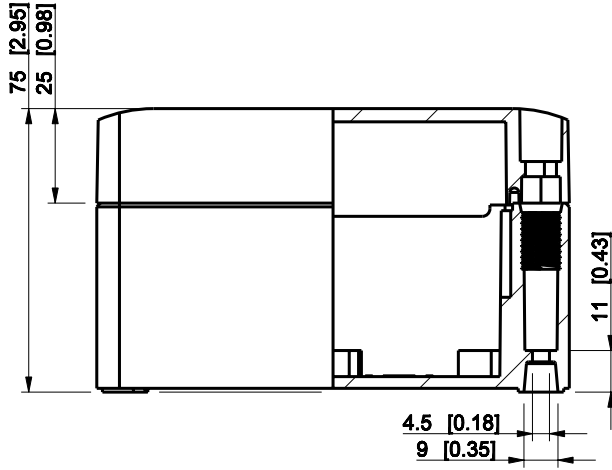
| | | |
|-------|---------|----------|
| Scale | Date | 04.12.08 |
| 1:2 | By | PKos |
| - | Checked | |
| - | Ctrl | |

| |
|-------------------|
| Replaces: |
| Replaced: |
| Drw No: - A |
| Ref: Cubo S |
| Code: SPCP081306G |
| Sheet No: |

model SPCP081306G PART

drawing CUBOS_2_DRAWING

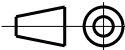
| ID | Description | Date | By | Appr. |
|----|-------------|------|----|-------|
| A | | | | |



Dimensions in mm [inches]

| | |
|--|-----------------|
| Material: Polycarbonate, fiberglass-reinforced | Color: RAL 7035 |
|--|-----------------|

| | | | |
|-----------|----------|-------------------|---------|
| Supplier: | Tool No: | Weight [kg]: 0.19 | Volume: |
|-----------|----------|-------------------|---------|



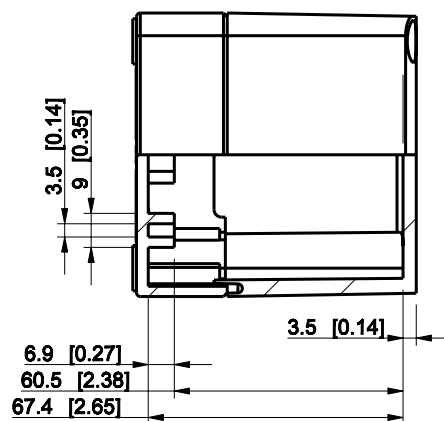
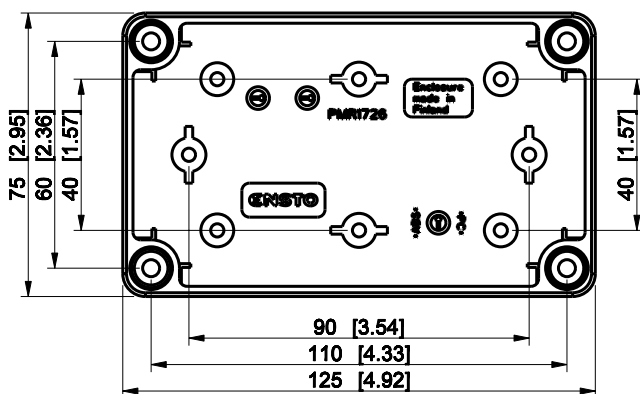
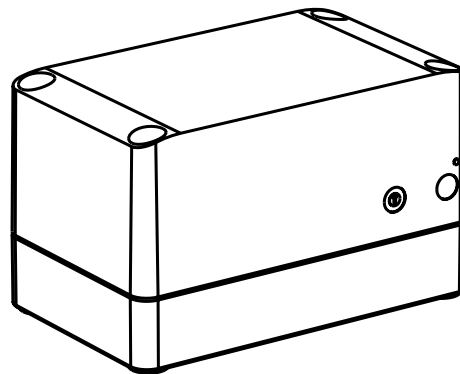
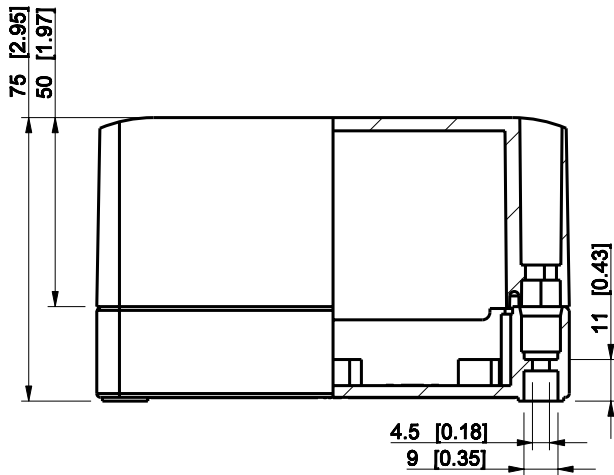
SPCP081308G

| | | |
|-------|---------|----------|
| Scale | Date | 08.12.08 |
| 1:2 | By | PKos |
| - | Checked | |
| - | Ctrl | |

| |
|-------------------|
| Replaces: |
| Replaced: |
| Drw No: - A |
| Ref: Cubo S |
| Code: SPCP081308G |
| Sheet No: |

model SPCP081308G PART
 drawing CUBOS DRAWING

| ID | Description | Date | By | Appr. |
|----|-------------|------|----|-------|
| A | | | | |

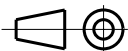


Dimensions in mm [inches]

| | |
|--|-----------------|
| Material: Polycarbonate, fiberglass-reinforced | Color: RAL 7035 |
|--|-----------------|

| | | | |
|-----------|----------|-------------------|---------|
| Supplier: | Tool No: | Weight [kg]: 0.20 | Volume: |
|-----------|----------|-------------------|---------|

ENSTO
ENSTO CONTROL OY



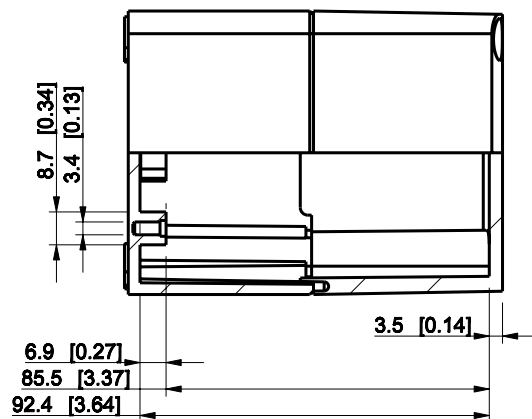
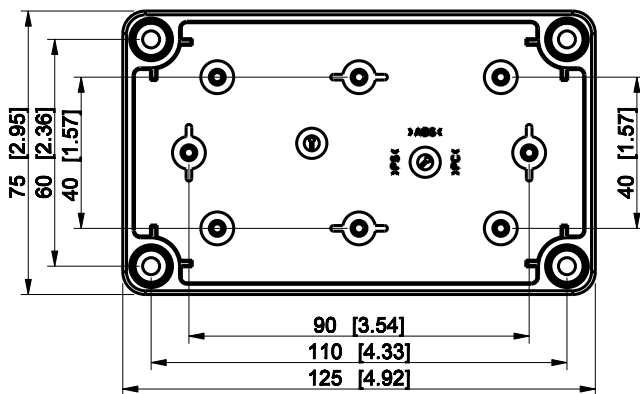
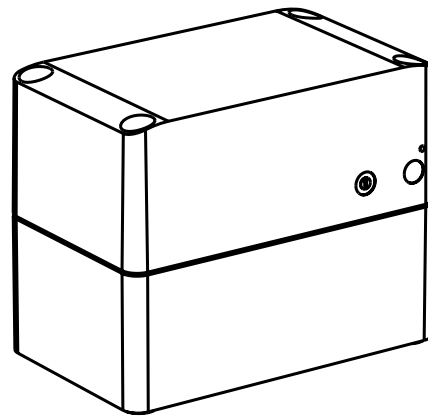
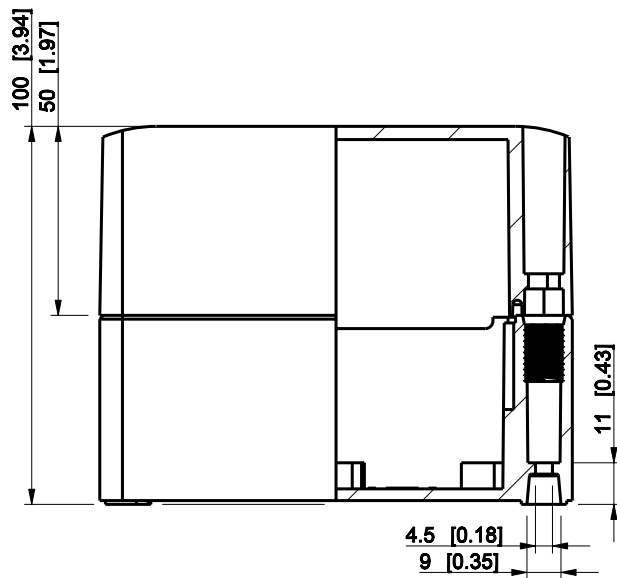
SPCP081308LG

| | | |
|-------|---------|----------|
| Scale | Date | 04.12.08 |
| 1:2 | By | PKos |
| - | Checked | |
| - | Ctrl | |

| | |
|-----------|--------------|
| Replaces: | |
| Replaced: | |
| Drw No: | - A |
| Ref: | Cubo S |
| Code: | SPCP081308LG |
| Sheet No: | |

model SPCP081308LG PART
drawing CUBOS_4_DRAWING

| ID | Description | Date | By | Appr. |
|----|-------------|------|----|-------|
| A | | | | |

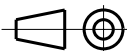


Dimensions in mm [inches]

| | |
|--|-----------------|
| Material: Polycarbonate, fiberglass-reinforced | Color: RAL 7035 |
|--|-----------------|

| | | | |
|-----------|----------|-------------------|---------|
| Supplier: | Tool No: | Weight [kg]: 0.24 | Volume: |
|-----------|----------|-------------------|---------|

ENSTO
ENSTO CONTROL OY



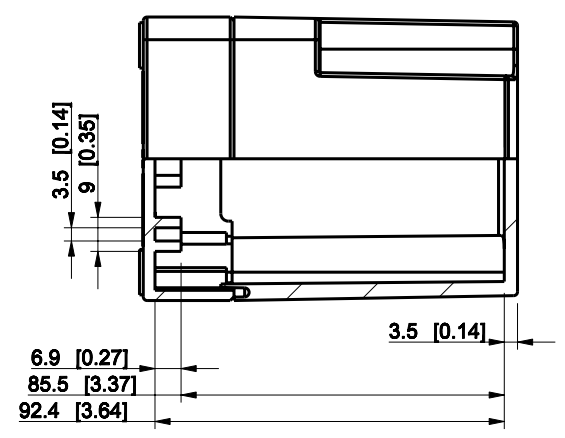
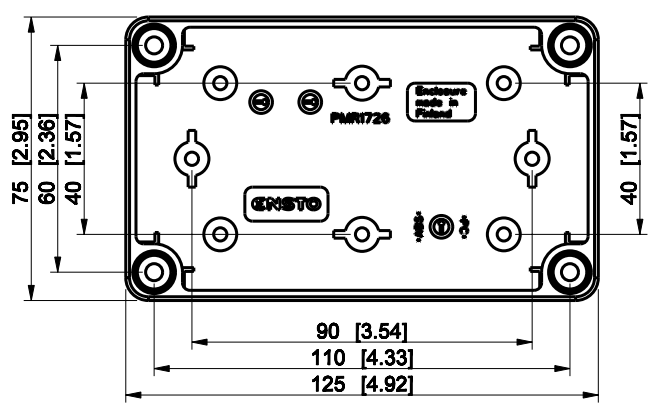
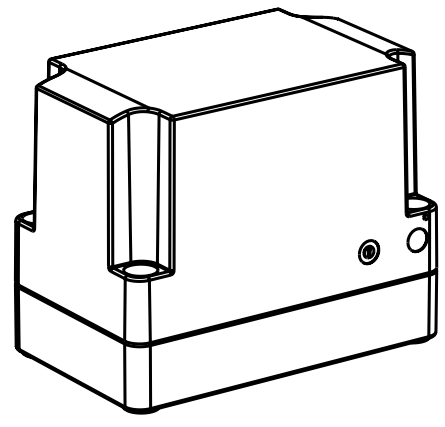
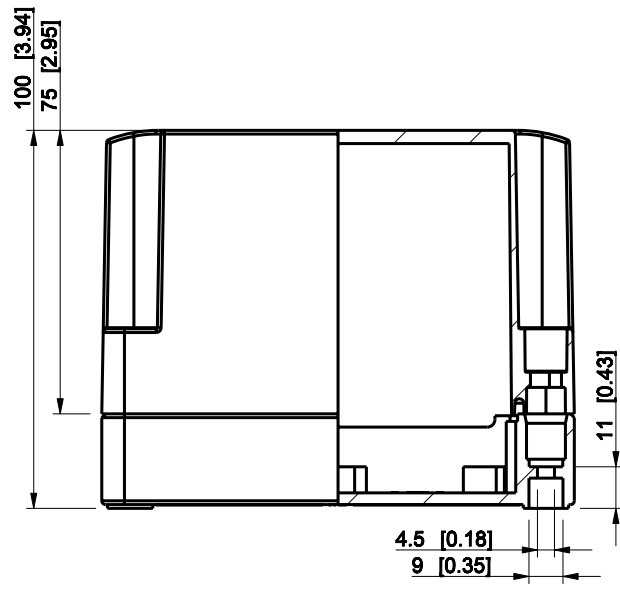
SPCP081310G

| | | |
|-------|---------|----------|
| Scale | Date | 08.12.08 |
| 1:2 | By | PKos |
| - | Checked | |
| - | Ctrl | |

| | |
|-----------|-------------|
| Replaces: | |
| Replaced: | |
| Drw No: | - A |
| Ref: | Cubo S |
| Code: | SPCP081310G |
| Sheet No: | |

model SPCP081310G PART
drawing CUBOS DRAWING

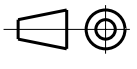
| ID | Description | Date | By | Appr. |
|----|-------------|------|----|-------|
| A | | | | |



Dimensions in mm [inches]

| | |
|--|-----------------|
| Material: Polycarbonate, fiberglass-reinforced | Color: RAL 7035 |
|--|-----------------|

| | | | |
|-----------|----------|-------------------|---------|
| Supplier: | Tool No: | Weight [kg]: 0.22 | Volume: |
|-----------|----------|-------------------|---------|



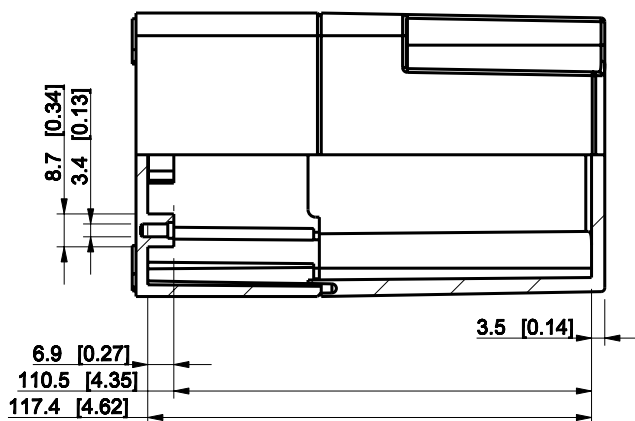
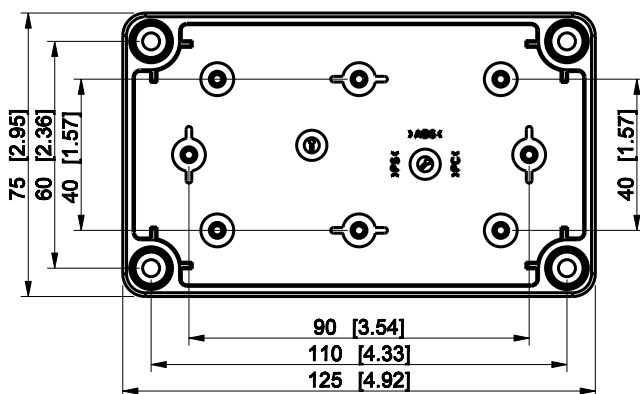
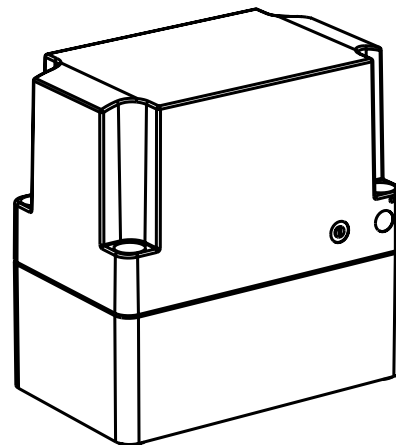
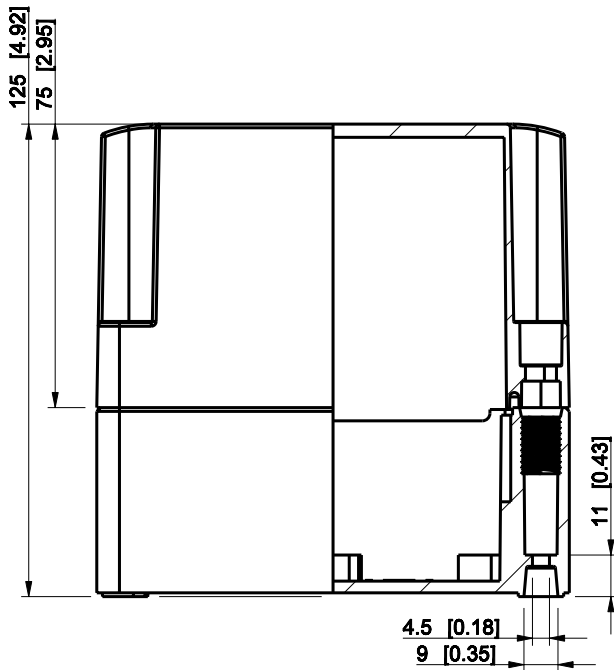
SPCP081310LG

| | | |
|-------|---------|----------|
| Scale | Date | 04.12.08 |
| 1:2 | By | PKos |
| - | Checked | |
| - | Ctrl | |

| | |
|-----------|--------------|
| Replaces: | |
| Replaced: | |
| Drw No: | - A |
| Ref: | Cubo S |
| Code: | SPCP081310LG |
| Sheet No: | |

model SPCP081310LG PART
 drawing CUBOS_4_DRAWING

| ID | Description | Date | By | Appr. |
|----|-------------|------|----|-------|
| A | | | | |

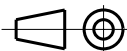


Dimensions in mm [inches]

| | |
|--|-----------------|
| Material: Polycarbonate, fiberglass-reinforced | Color: RAL 7035 |
|--|-----------------|

| | | | |
|-----------|----------|-------------------|---------|
| Supplier: | Tool No: | Weight [kg]: 0.26 | Volume: |
|-----------|----------|-------------------|---------|

ENSTO
ENSTO CONTROL OY



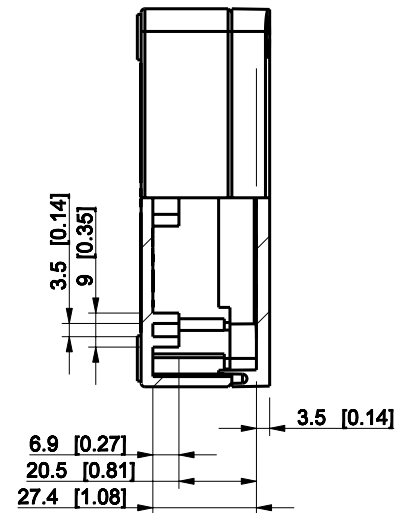
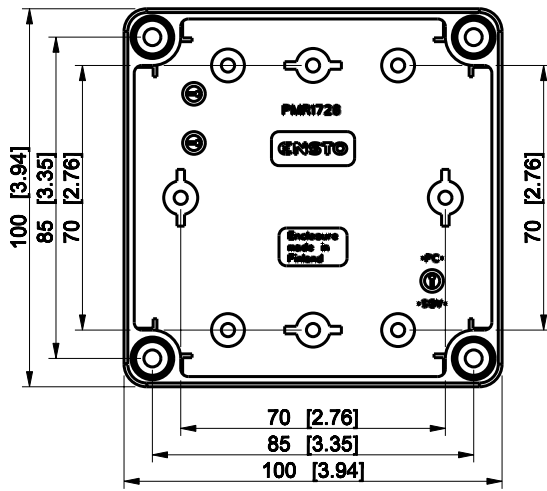
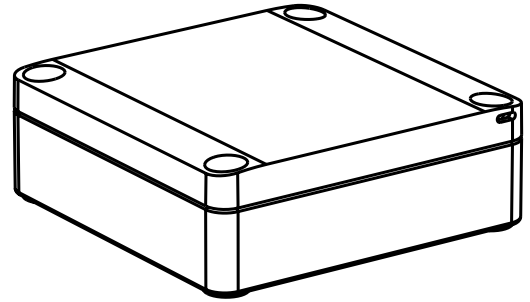
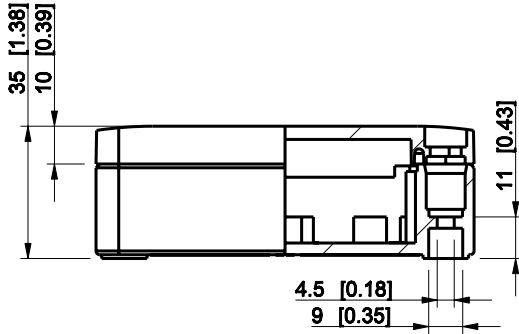
SPCP081313G

| | | |
|-------|---------|----------|
| Scale | Date | 08.12.08 |
| 1:2 | By | PKos |
| - | Checked | |
| - | Ctrl | |

| | |
|-----------|-------------|
| Replaces: | |
| Replaced: | |
| Drw No: | - A |
| Ref: | Cubo S |
| Code: | SPCP081313G |
| Sheet No: | |

model SPCP081313G PART
 drawing CUBOS DRAWING

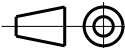
| ID | Description | Date | By | Appr. |
|----|-------------|------|----|-------|
| A | | | | |



Dimensions in mm [inches]

| | |
|--|-----------------|
| Material: Polycarbonate, fiberglass-reinforced | Color: RAL 7035 |
|--|-----------------|

| | | | |
|-----------|----------|-------------------|---------|
| Supplier: | Tool No: | Weight [kg]: 0.12 | Volume: |
|-----------|----------|-------------------|---------|



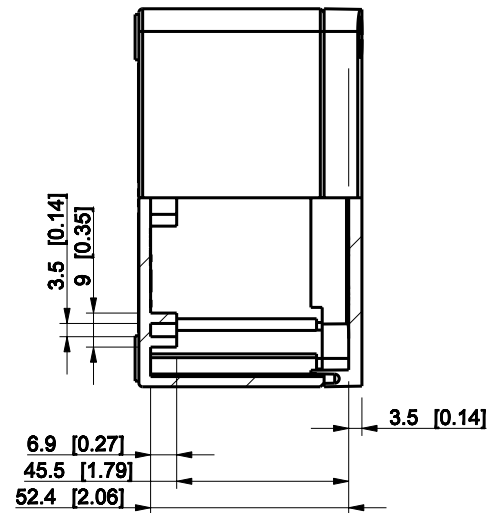
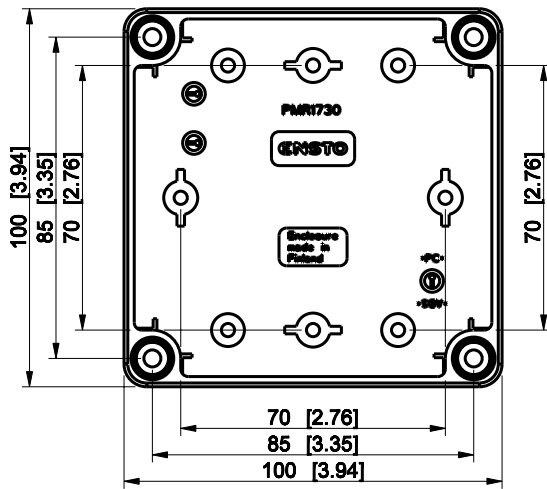
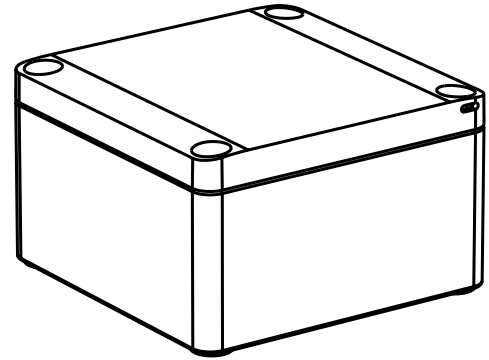
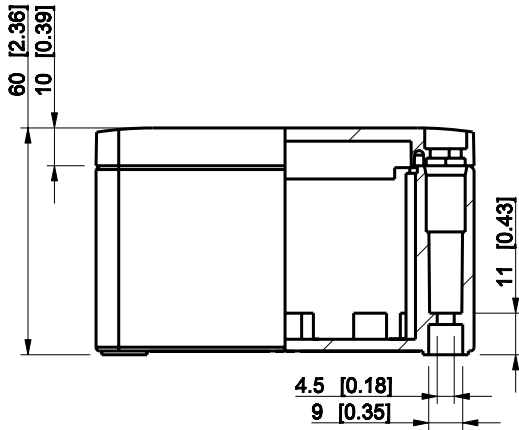
SPCP101004LG

| | | |
|-------|---------|----------|
| Scale | Date | 04.12.08 |
| 1:2 | By | PKos |
| - | Checked | |
| - | Ctrl | |

| |
|--------------------|
| Replaces: |
| Replaced: |
| Drw No: - A |
| Ref: Cubo S |
| Code: SPCP101004LG |
| Sheet No: |

model SPCP101004LG PART
drawing CUBOS_3_DRAWING

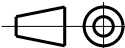
| ID | Description | Date | By | Appr. |
|----|-------------|------|----|-------|
| A | | | | |



Dimensions in mm [inches]

| | |
|--|-----------------|
| Material: Polycarbonate, fiberglass-reinforced | Color: RAL 7035 |
|--|-----------------|

| | | | |
|-----------------|----------|-------------------|---------|
| Supplier: ENSTO | Tool No: | Weight [kg]: 0.17 | Volume: |
|-----------------|----------|-------------------|---------|



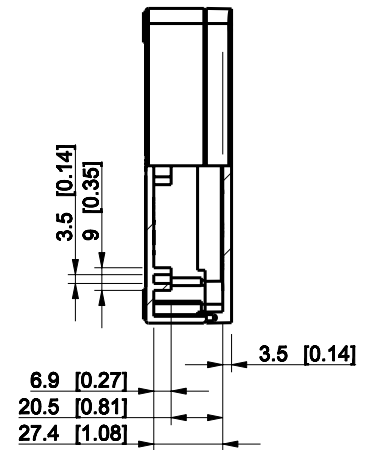
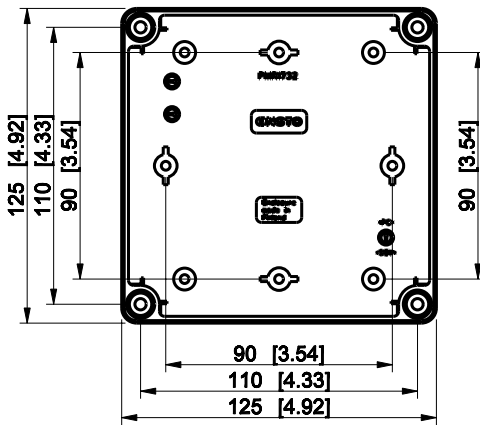
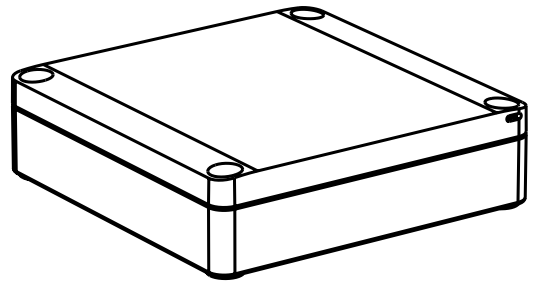
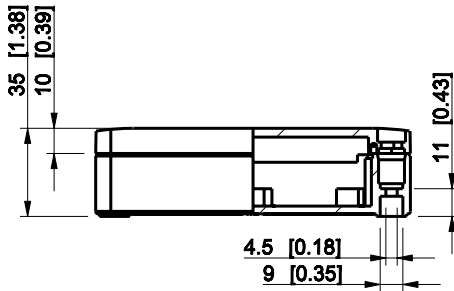
SPCP101006G

| | | |
|-------|---------|----------|
| Scale | Date | 04.12.08 |
| 1:2 | By | PKos |
| - | Checked | |
| - | Ctrl | |

| | |
|-----------|-------------|
| Replaces: | |
| Replaced: | |
| Drw No: | - A |
| Ref: | Cubo S |
| Code: | SPCP101006G |
| Sheet No: | |

model SPCP101006G PART
drawing CUBOS_3.DRAWING

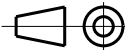
| ID | Description | Date | By | Appr. |
|----|-------------|------|----|-------|
| A | | | | |



Dimensions in mm [inches]

| | |
|--|-----------------|
| Material: Polycarbonate, fiberglass-reinforced | Color: RAL 7035 |
|--|-----------------|

| | | | |
|-----------|----------|-------------------|---------|
| Supplier: | Tool No: | Weight [kg]: 0.18 | Volume: |
|-----------|----------|-------------------|---------|



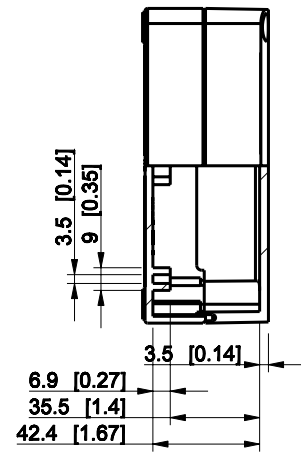
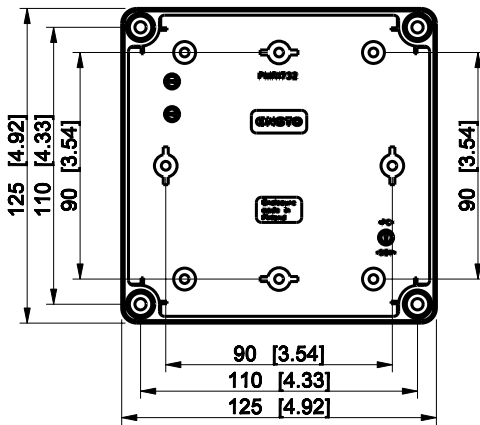
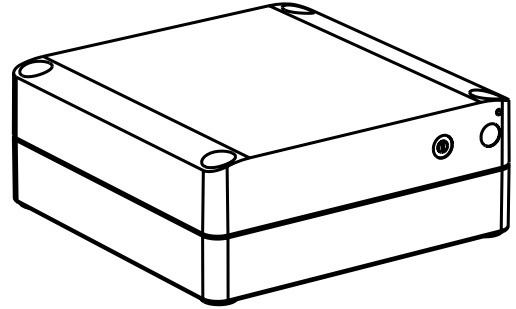
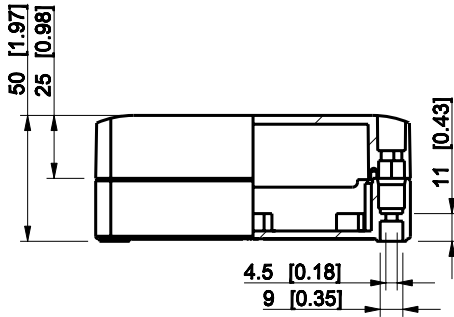
SPCP131304LG

| | | |
|-------|---------|----------|
| Scale | Date | 04.12.08 |
| 1:3 | By | PKos |
| - | Checked | |
| - | Ctrl | |

| |
|--------------------|
| Replaces: |
| Replaced: |
| Drw No: - A |
| Ref: Cubo S |
| Code: SPCP131304LG |
| Sheet No: |

model SPCP131304LG PART
drawing CUBOS_3_DRAWING

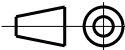
| ID | Description | Date | By | Appr. |
|----|-------------|------|----|-------|
| A | | | | |



Dimensions in mm [inches]

| | |
|--|-----------------|
| Material: Polycarbonate, fiberglass-reinforced | Color: RAL 7035 |
|--|-----------------|

| | | | |
|-----------|----------|-------------------|---------|
| Supplier: | Tool No: | Weight [kg]: 0.22 | Volume: |
|-----------|----------|-------------------|---------|



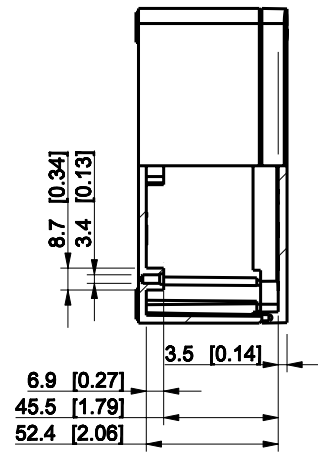
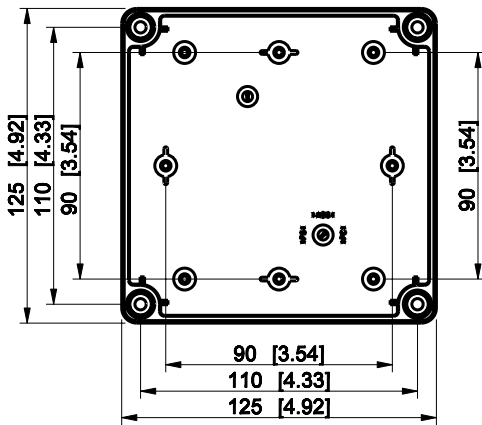
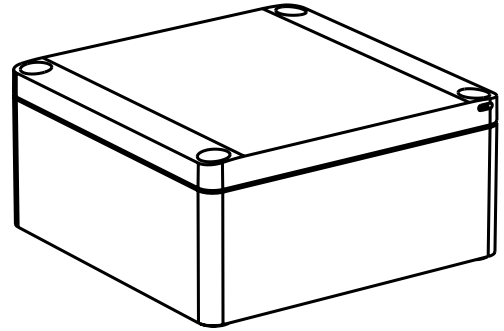
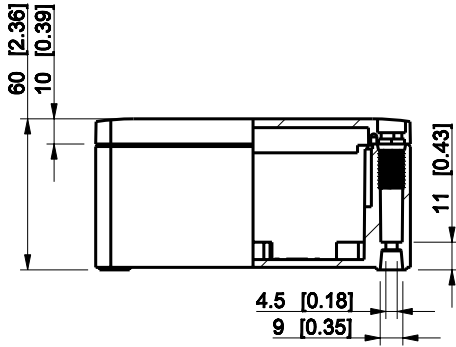
SPCP131305LG

| | | |
|-------|---------|----------|
| Scale | Date | 04.12.08 |
| 1:3 | By | PKos |
| - | Checked | |
| - | Ctrl | |

| |
|--------------------|
| Replaces: |
| Replaced: |
| Drw No: - A |
| Ref: Cubo S |
| Code: SPCP131305LG |
| Sheet No: |

model SPCP131305LG PART
drawing CUBOS_4.DRAWING

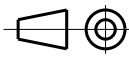
| ID | Description | Date | By | Appr. |
|----|-------------|------|----|-------|
| A | | | | |



Dimensions in mm [inches]

| | |
|--|-----------------|
| Material: Polycarbonate, fiberglass-reinforced | Color: RAL 7035 |
|--|-----------------|

| | | | |
|-----------|----------|-------------------|---------|
| Supplier: | Tool No: | Weight [kg]: 0.23 | Volume: |
|-----------|----------|-------------------|---------|



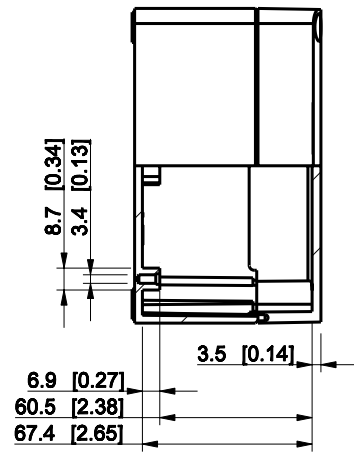
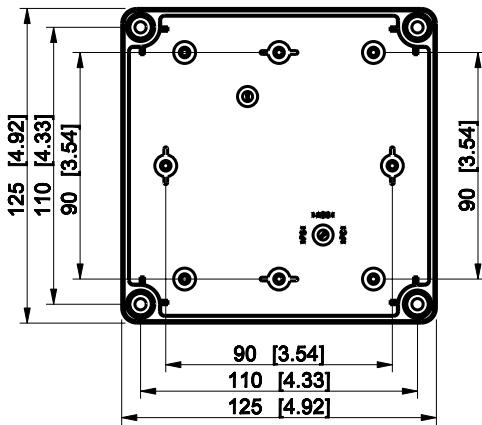
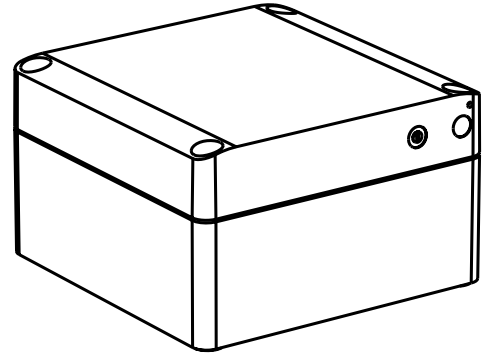
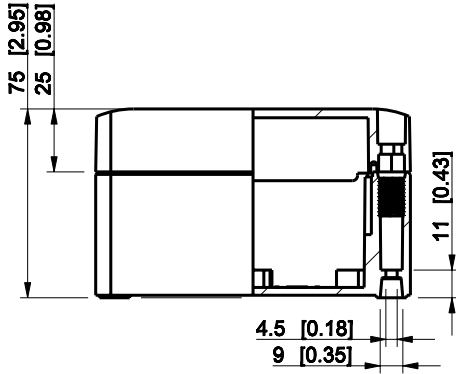
SPCP131306G

| | | |
|-------|---------|----------|
| Scale | Date | 04.12.08 |
| 1:3 | By | PKos |
| - | Checked | |
| - | Ctrl | |

| |
|-------------------|
| Replaces: |
| Replaced: |
| Drw No: - A |
| Ref: Cubo S |
| Code: SPCP131306G |
| Sheet No: |

model SPCP131306G PART
 drawing CUBOS_2_DRAWING

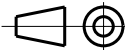
| ID | Description | Date | By | Appr. |
|----|-------------|------|----|-------|
| A | | | | |



Dimensions in mm [inches]

| | |
|--|-----------------|
| Material: Polycarbonate, fiberglass-reinforced | Color: RAL 7035 |
|--|-----------------|

| | | | |
|-----------|----------|-------------------|---------|
| Supplier: | Tool No: | Weight [kg]: 0.27 | Volume: |
|-----------|----------|-------------------|---------|



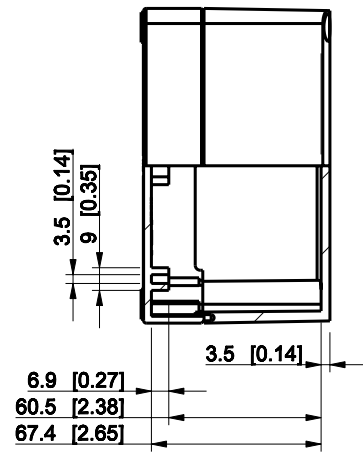
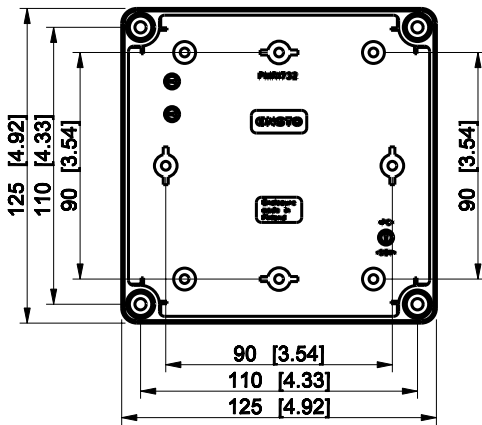
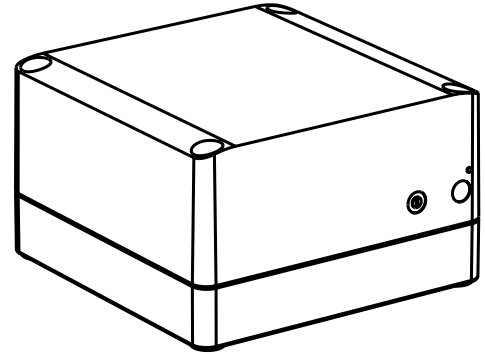
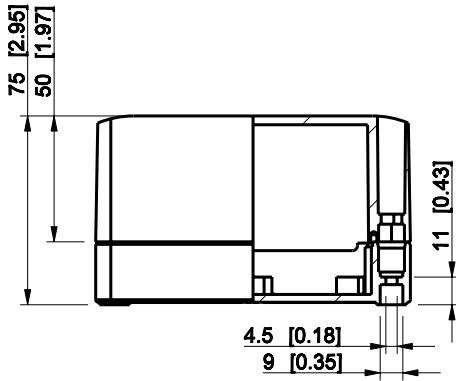
SPCP131308G

| | | |
|-------|---------|----------|
| Scale | Date | 08.12.08 |
| 1:3 | By | PKos |
| - | Checked | |
| - | Ctrl | |

| |
|-------------------|
| Replaces: |
| Replaced: |
| Drw No: - A |
| Ref: Cubo S |
| Code: SPCP131308G |
| Sheet No: |

model SPCP131308G PART
 drawing CUBOS DRAWING

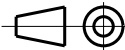
| ID | Description | Date | By | Appr. |
|----|-------------|------|----|-------|
| A | | | | |



Dimensions in mm [inches]

| | |
|--|-----------------|
| Material: Polycarbonate, fiberglass-reinforced | Color: RAL 7035 |
|--|-----------------|

| | | | |
|-----------|----------|-------------------|---------|
| Supplier: | Tool No: | Weight [kg]: 0.28 | Volume: |
|-----------|----------|-------------------|---------|



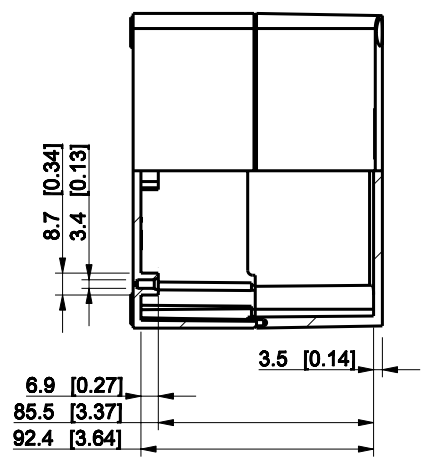
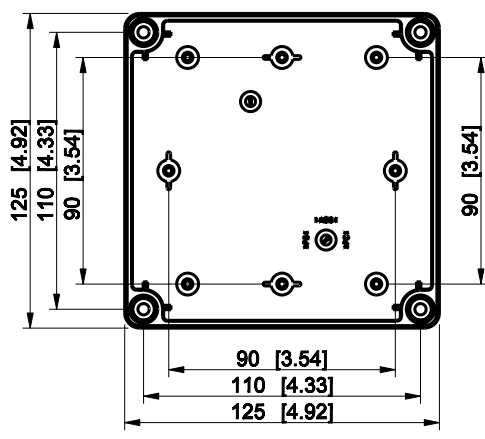
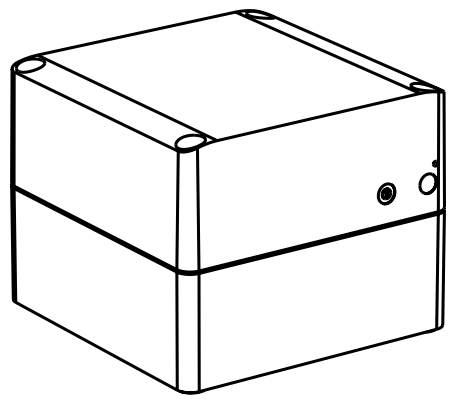
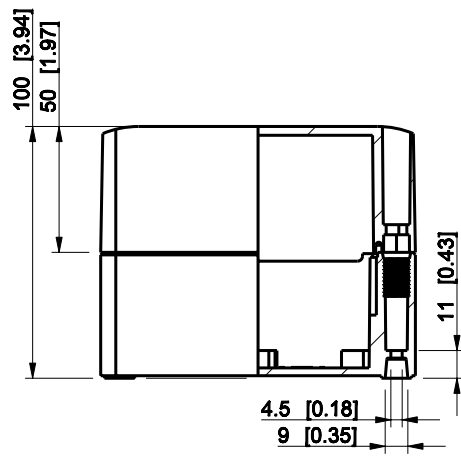
SPCP131308LG

| | | |
|-------|---------|----------|
| Scale | Date | 04.12.08 |
| 1:3 | By | PKos |
| - | Checked | |
| - | Ctrl | |

| | |
|-----------|--------------|
| Replaces: | |
| Replaced: | |
| Drw No: | - A |
| Ref: | Cubo S |
| Code: | SPCP131308LG |
| Sheet No: | |

model SPCP131308LG PART
drawing CUBOS_4.DRAWING

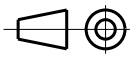
| ID | Description | Date | By | Appr. |
|----|-------------|------|----|-------|
| A | | | | |



Dimensions in mm [inches]

| | |
|--|-----------------|
| Material: Polycarbonate, fiberglass-reinforced | Color: RAL 7035 |
|--|-----------------|

| | | | |
|-----------|----------|-------------------|---------|
| Supplier: | Tool No: | Weight [kg]: 0.33 | Volume: |
|-----------|----------|-------------------|---------|



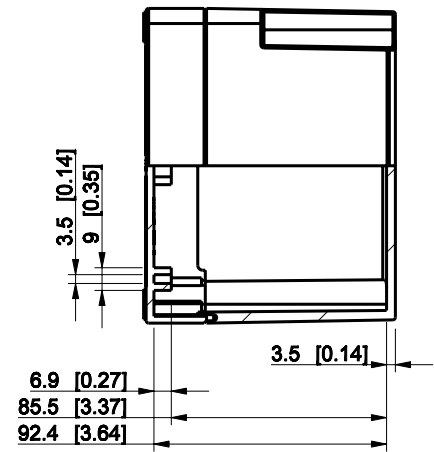
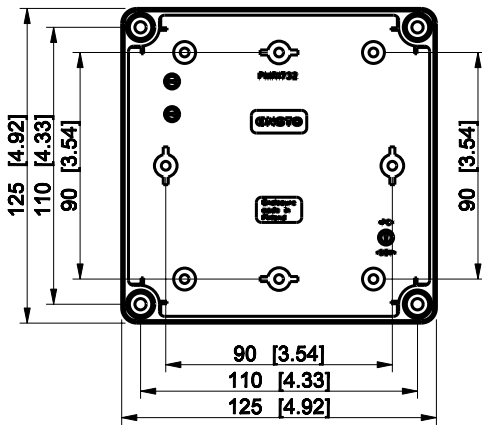
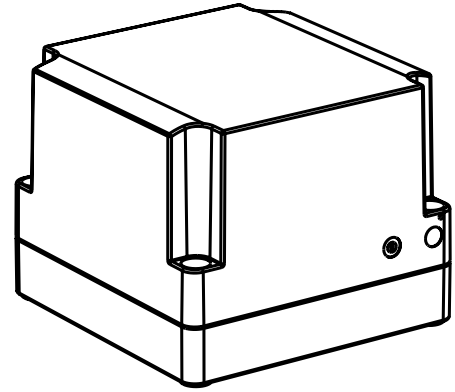
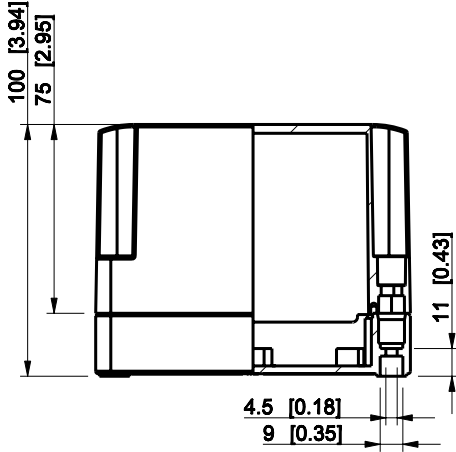
SPCP131310G

| | | |
|-------|---------|----------|
| Scale | Date | 08.12.08 |
| 1:3 | By | PKos |
| - | Checked | |
| - | Ctrl | |

| | |
|-----------|-------------|
| Replaces: | |
| Replaced: | |
| Drw No: | - A |
| Ref: | Cubo S |
| Code: | SPCP131310G |
| Sheet No: | |

model SPCP131310G PART
 drawing CUBOS DRAWING

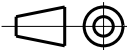
| ID | Description | Date | By | Appr. |
|----|-------------|------|----|-------|
| A | | | | |



Dimensions in mm [inches]

| | |
|--|-----------------|
| Material: Polycarbonate, fiberglass-reinforced | Color: RAL 7035 |
|--|-----------------|

| | | | |
|-----------|----------|-------------------|---------|
| Supplier: | Tool No: | Weight [kg]: 0.31 | Volume: |
|-----------|----------|-------------------|---------|



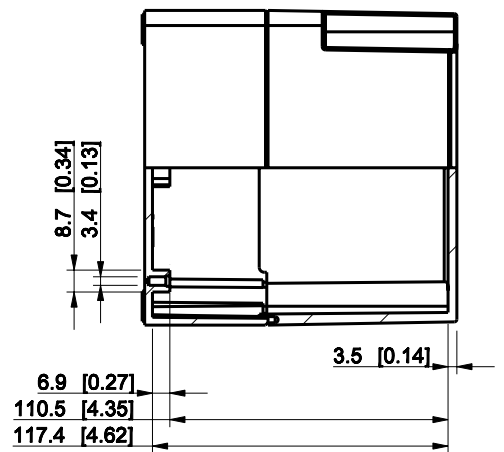
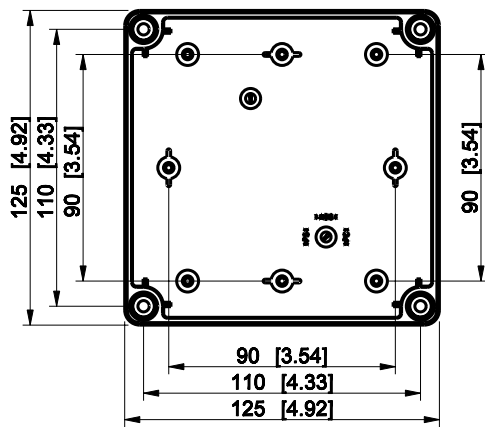
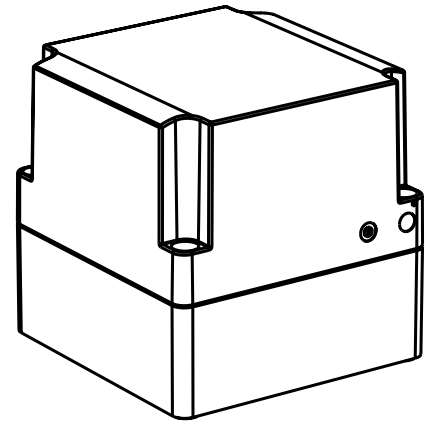
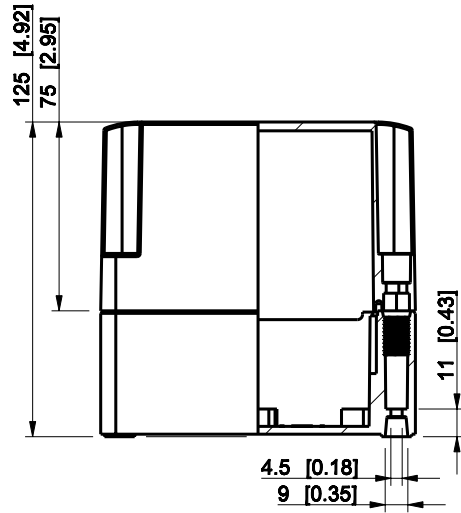
SPCP131310LG

| | | |
|-------|---------|----------|
| Scale | Date | 04.12.08 |
| 1:3 | By | PKos |
| - | Checked | |
| - | Ctrl | |

| | |
|-----------|--------------|
| Replaces: | |
| Replaced: | |
| Drw No: | - A |
| Ref: | Cubo S |
| Code: | SPCP131310LG |
| Sheet No: | |

model SPCP131310LG PART
drawing CUBOS_4.DRAWING


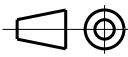
| ID | Description | Date | By | Appr. |
|----|-------------|------|----|-------|
| A | | | | |



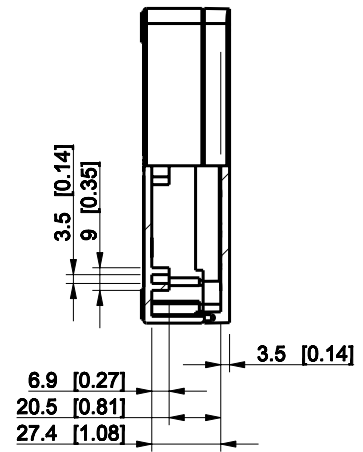
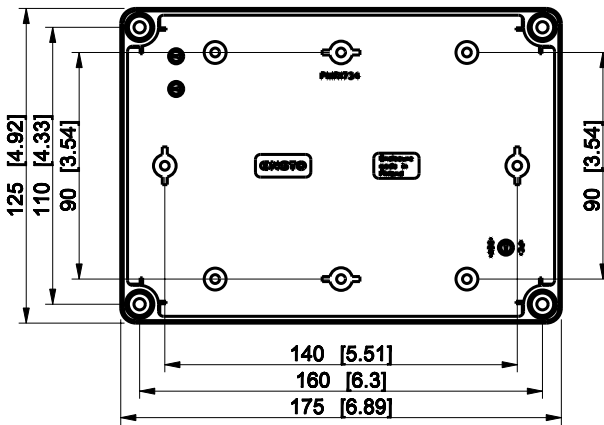
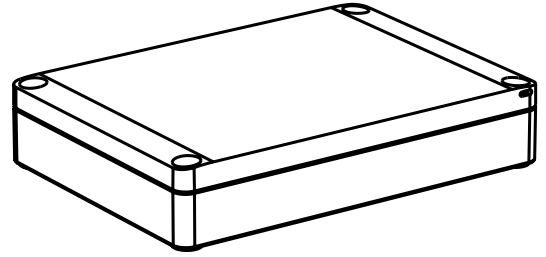
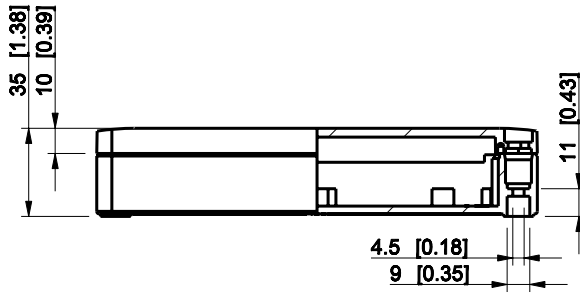
Dimensions in mm [inches]

| | |
|--|-----------------|
| Material: Polycarbonate, fiberglass-reinforced | Color: RAL 7035 |
|--|-----------------|

| | | | |
|-----------|----------|-------------------|---------|
| Supplier: | Tool No: | Weight [kg]: 0.36 | Volume: |
|-----------|----------|-------------------|---------|

| | | | | | | | | | | | | | | | | | |
|---|--|---------|---|----------------------|-------------------|-----|----|------|---|---------|--|---|------|--|--|--|-----------|
| model SPCP131313G PART drawing CUBOS DRAWING |  ENSTO CONTROL OY | |  | <h1>SPCP131313G</h1> | Replaces: | | | | | | | | | | | | |
| | <table border="1"> <tr> <td>Scale</td> <td>Date</td> <td>08.12.08</td> </tr> <tr> <td>1:3</td> <td>By</td> <td>PKos</td> </tr> <tr> <td>-</td> <td>Checked</td> <td></td> </tr> <tr> <td>-</td> <td>Ctrl</td> <td></td> </tr> </table> | | Scale | Date | 08.12.08 | 1:3 | By | PKos | - | Checked | | - | Ctrl | | | | Replaced: |
| | Scale | Date | 08.12.08 | | | | | | | | | | | | | | |
| | 1:3 | By | PKos | | | | | | | | | | | | | | |
| | - | Checked | | | | | | | | | | | | | | | |
| - | Ctrl | | | | | | | | | | | | | | | | |
| | | | | | Drw No: - A | | | | | | | | | | | | |
| | | | | | Ref: Cubo S | | | | | | | | | | | | |
| | | | | | Code: SPCP131313G | | | | | | | | | | | | |
| | | | | | Sheet No: | | | | | | | | | | | | |

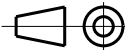
| ID | Description | Date | By | Appr. |
|----|-------------|------|----|-------|
| A | | | | |



Dimensions in mm [inches]

| | |
|--|-----------------|
| Material: Polycarbonate, fiberglass-reinforced | Color: RAL 7035 |
|--|-----------------|

| | | | |
|-----------|----------|-------------------|---------|
| Supplier: | Tool No: | Weight [kg]: 0.24 | Volume: |
|-----------|----------|-------------------|---------|



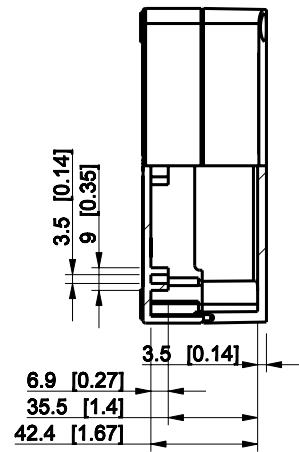
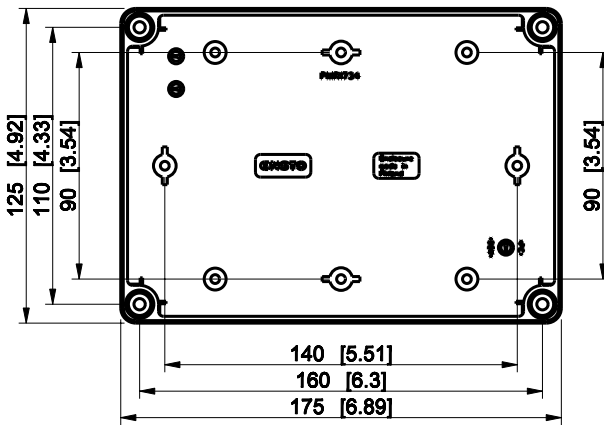
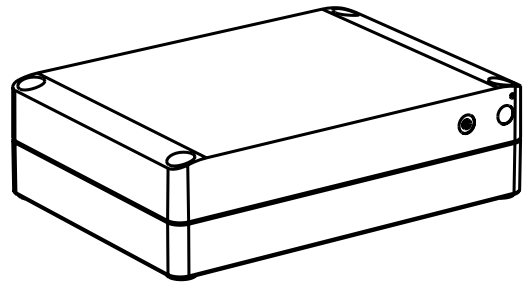
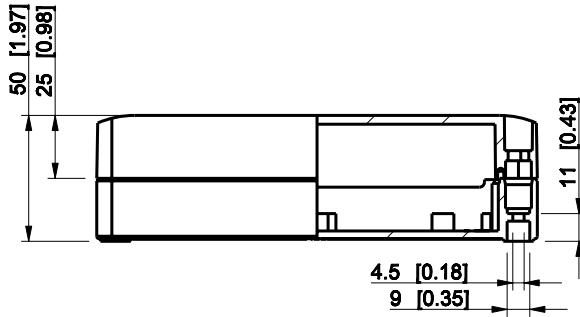
SPCP131804LG

| | | |
|-------|---------|----------|
| Scale | Date | 04.12.08 |
| 1:3 | By | PKos |
| - | Checked | |
| - | Ctrl | |

| | |
|-----------|--------------|
| Replaces: | |
| Replaced: | |
| Drw No: | - A |
| Ref: | Cubo S |
| Code: | SPCP131804LG |
| Sheet No: | |

model SPCP131804LG PART
drawing CUBOS_3_DRAWING

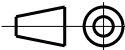
| ID | Description | Date | By | Appr. |
|----|-------------|------|----|-------|
| A | | | | |



Dimensions in mm [inches]

| | |
|--|-----------------|
| Material: Polycarbonate, fiberglass-reinforced | Color: RAL 7035 |
|--|-----------------|

| | | | |
|-----------|----------|-------------------|---------|
| Supplier: | Tool No: | Weight [kg]: 0.28 | Volume: |
|-----------|----------|-------------------|---------|



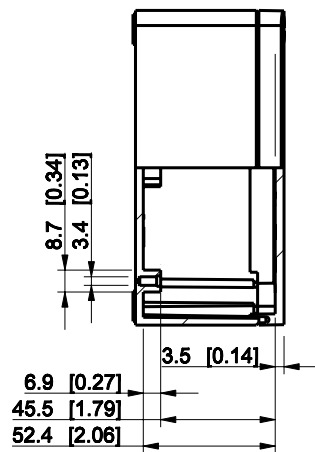
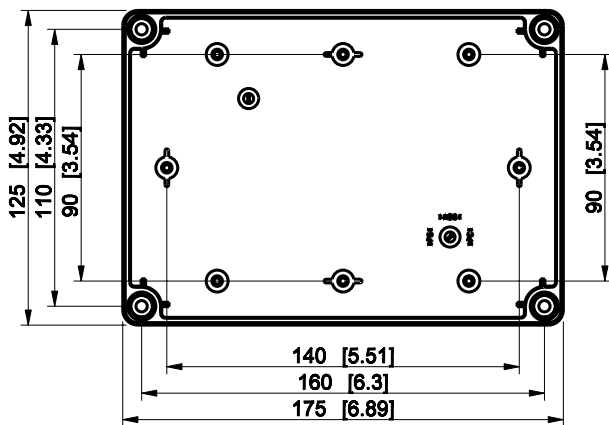
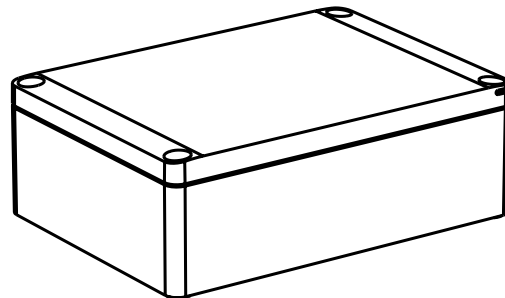
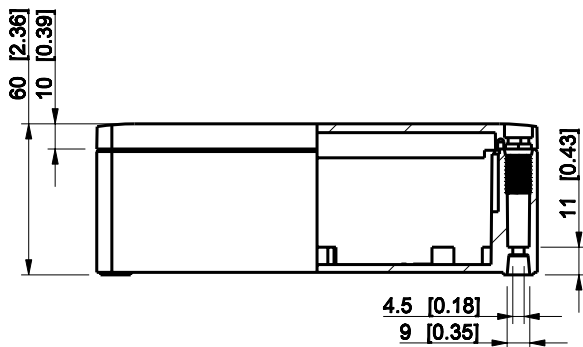
SPCP131805LG

| | | |
|-------|---------|----------|
| Scale | Date | 04.12.08 |
| 1:3 | By | PKos |
| - | Checked | |
| - | Ctrl | |

| | |
|-----------|--------------|
| Replaces: | |
| Replaced: | |
| Drw No: | - A |
| Ref: | Cubo S |
| Code: | SPCP131805LG |
| Sheet No: | |

model SPCP131805LG PART
 drawing CUBOS_4.DRAWING

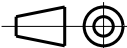
| ID | Description | Date | By | Appr. |
|----|-------------|------|----|-------|
| A | | | | |



Dimensions in mm [inches]

| | |
|--|-----------------|
| Material: Polycarbonate, fiberglass-reinforced | Color: RAL 7035 |
|--|-----------------|

| | | | |
|-----------|----------|-------------------|---------|
| Supplier: | Tool No: | Weight [kg]: 0.30 | Volume: |
|-----------|----------|-------------------|---------|



SPCP131806G

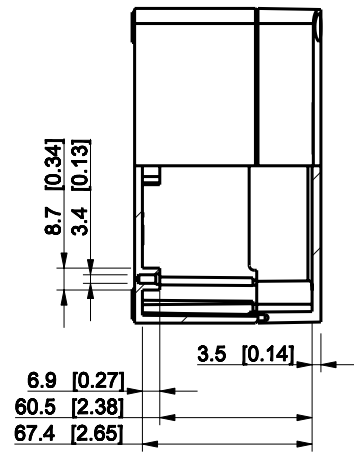
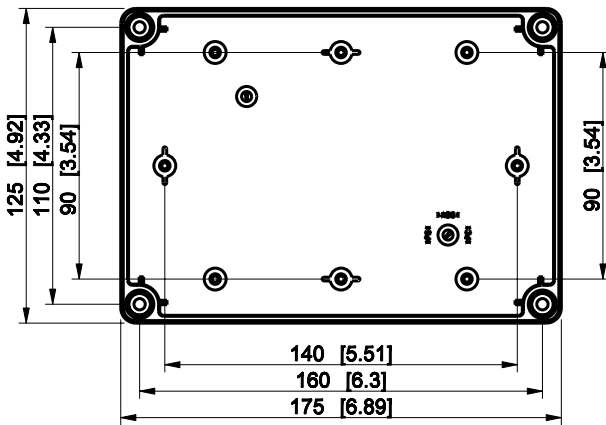
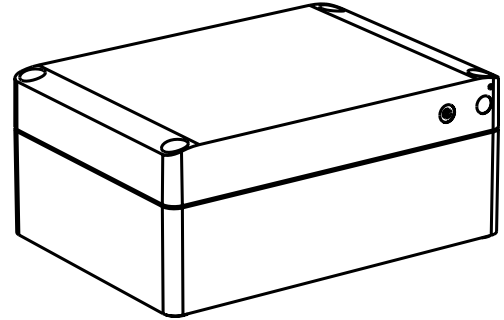
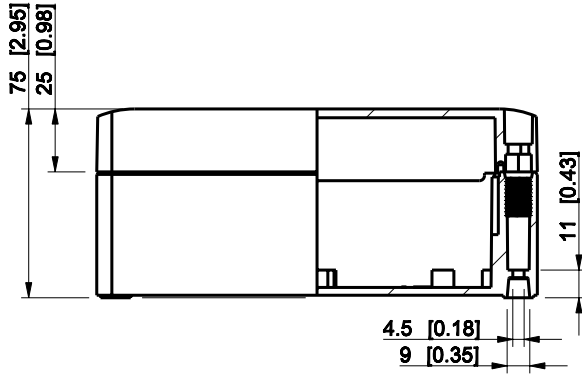
| | | |
|-------|---------|----------|
| Scale | Date | 04.12.08 |
| 1:3 | By | PKos |
| - | Checked | |
| - | Ctrl | |

| |
|-------------------|
| Replaces: |
| Replaced: |
| Drw No: - A |
| Ref: Cubo S |
| Code: SPCP131806G |
| Sheet No: |

model SPCP131806G PART

drawing CUBOS_2.DWG

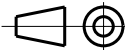
| ID | Description | Date | By | Appr. |
|----|-------------|------|----|-------|
| A | | | | |



Dimensions in mm [inches]

| | |
|--|-----------------|
| Material: Polycarbonate, fiberglass-reinforced | Color: RAL 7035 |
|--|-----------------|

| | | | |
|-----------|----------|-------------------|---------|
| Supplier: | Tool No: | Weight [kg]: 0.34 | Volume: |
|-----------|----------|-------------------|---------|



SPCP131808G

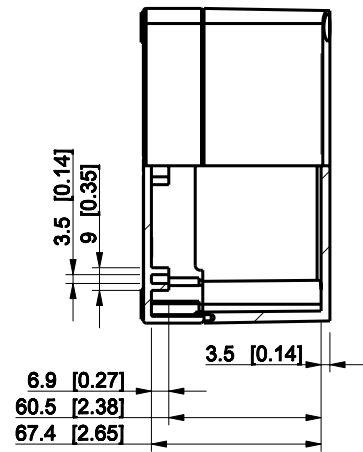
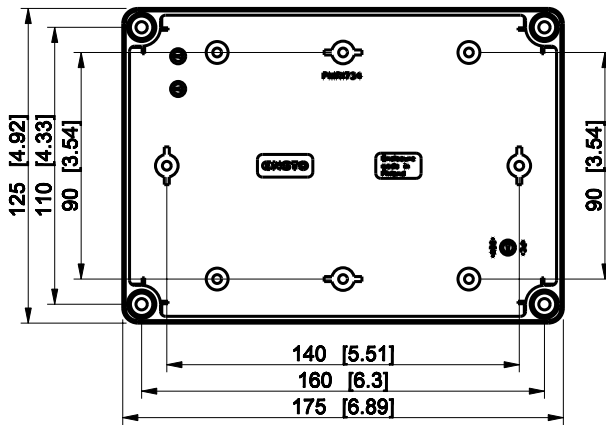
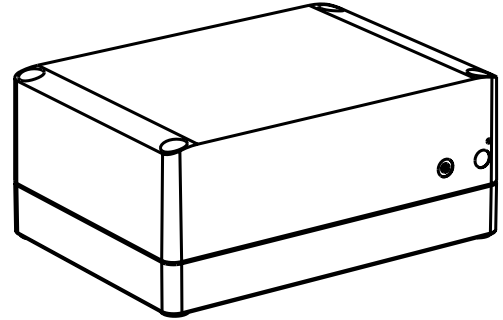
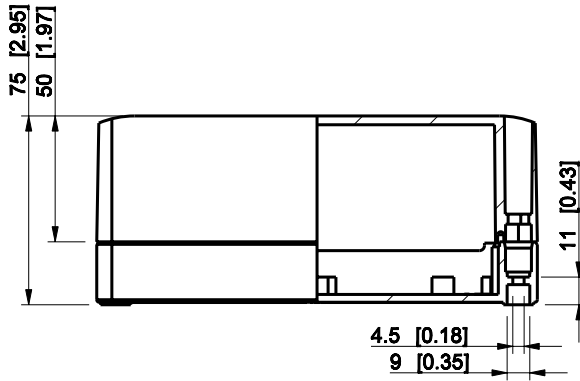
| | | |
|-------|---------|----------|
| Scale | Date | 08.12.08 |
| 1:3 | By | PKos |
| - | Checked | |
| - | Ctrl | |

| |
|-------------------|
| Replaces: |
| Replaced: |
| Drw No: - A |
| Ref: Cubo S |
| Code: SPCP131808G |
| Sheet No: |

model SPCP131808G PART

drawing CUBOS DRAWING

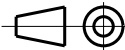
| ID | Description | Date | By | Appr. |
|----|-------------|------|----|-------|
| A | | | | |



Dimensions in mm [inches]

| | |
|--|-----------------|
| Material: Polycarbonate, fiberglass-reinforced | Color: RAL 7035 |
|--|-----------------|

| | | | |
|-----------|----------|-------------------|---------|
| Supplier: | Tool No: | Weight [kg]: 0.36 | Volume: |
|-----------|----------|-------------------|---------|



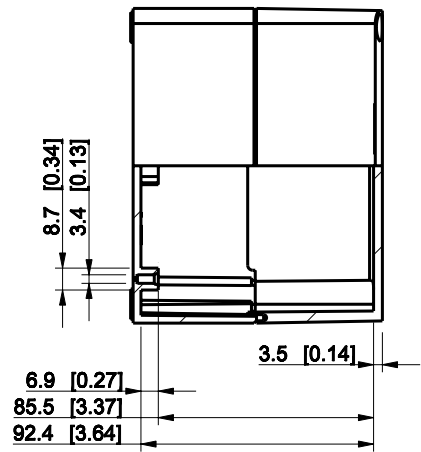
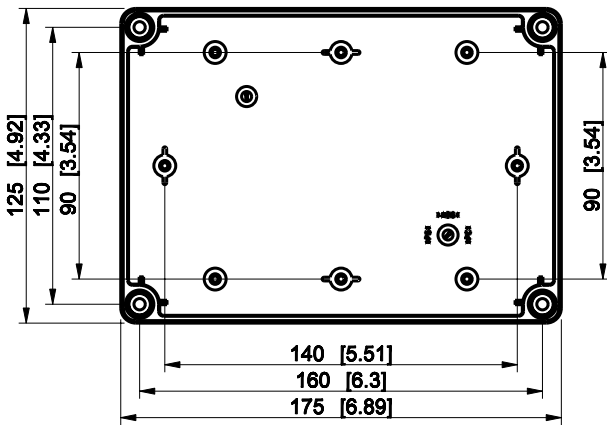
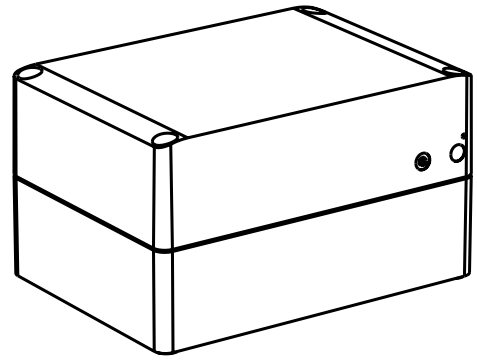
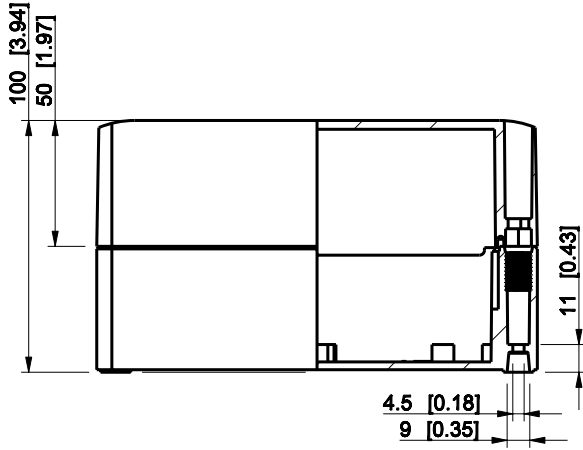
SPCP131808LG

| | | |
|-------|---------|----------|
| Scale | Date | 04.12.08 |
| 1:3 | By | PKos |
| - | Checked | |
| - | Ctrl | |

| | |
|-----------|--------------|
| Replaces: | |
| Replaced: | |
| Drw No: | - A |
| Ref: | Cubo S |
| Code: | SPCP131808LG |
| Sheet No: | |

model SPCP131808LG PART
drawing CUBOS_4_DRAWING


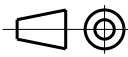
| ID | Description | Date | By | Appr. |
|----|-------------|------|----|-------|
| A | | | | |



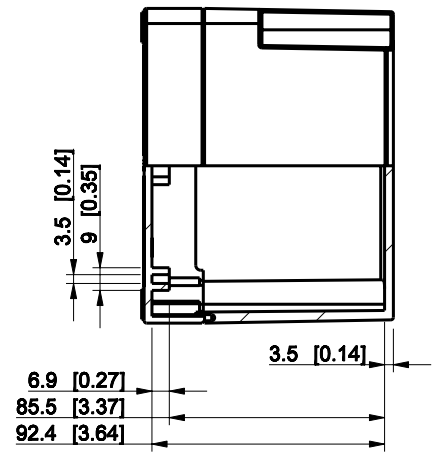
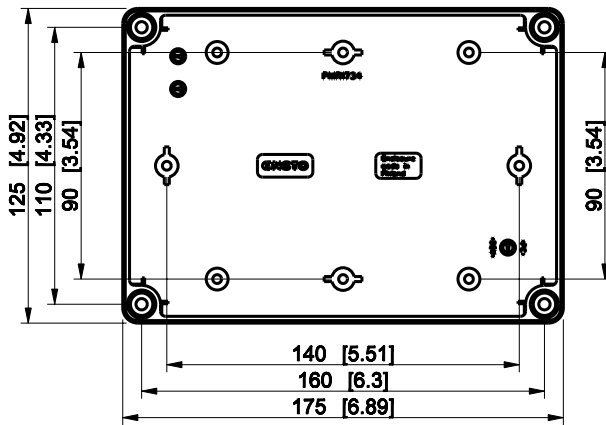
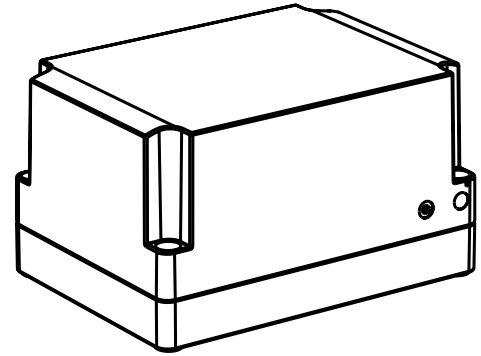
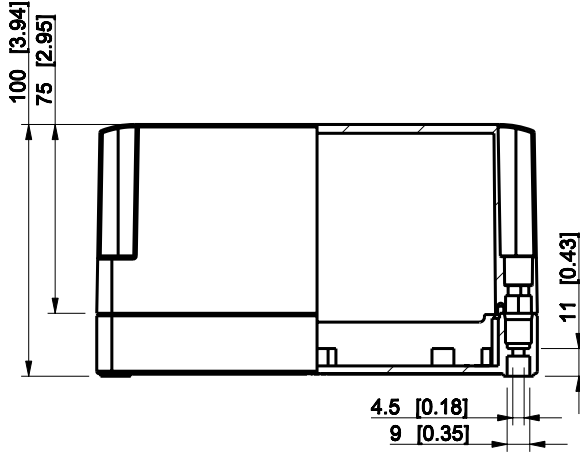
Dimensions in mm [inches]

| | |
|--|-----------------|
| Material: Polycarbonate, fiberglass-reinforced | Color: RAL 7035 |
|--|-----------------|

| | | | |
|-----------|----------|-------------------|---------|
| Supplier: | Tool No: | Weight [kg]: 0.42 | Volume: |
|-----------|----------|-------------------|---------|

| | | | | |
|---|---|--|----------------------|-------------------|
| model SPCP131810G PART drawing CUBOS DRAWING |   | | <h1>SPCP131810G</h1> | Replaces: |
| | Scale: 1:3 Date: 08.12.08 By: PKOs | | | Replaced: |
| | Checked: | | | Drw No: - A |
| | Ctrl: | | | Ref: Cubo S |
| | | | | Code: SPCP131810G |
| | | | Sheet No: | |

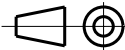
| ID | Description | Date | By | Appr. |
|----|-------------|------|----|-------|
| A | | | | |



Dimensions in mm [inches]

| | |
|--|-----------------|
| Material: Polycarbonate, fiberglass-reinforced | Color: RAL 7035 |
|--|-----------------|

| | | | |
|-----------|----------|-------------------|---------|
| Supplier: | Tool No: | Weight [kg]: 0.40 | Volume: |
|-----------|----------|-------------------|---------|



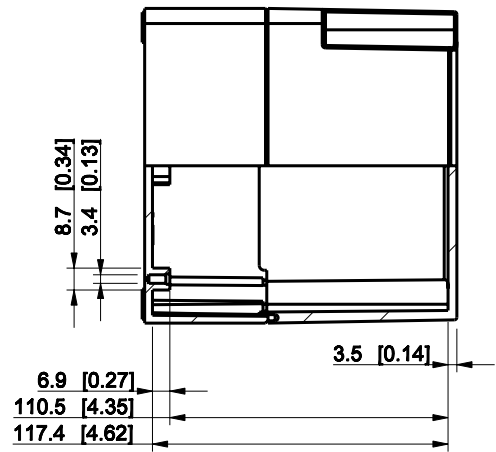
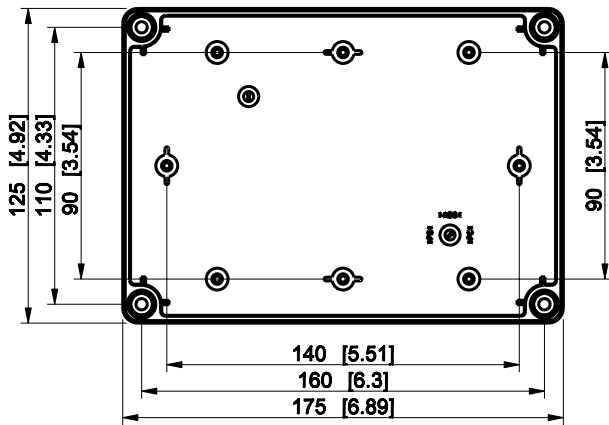
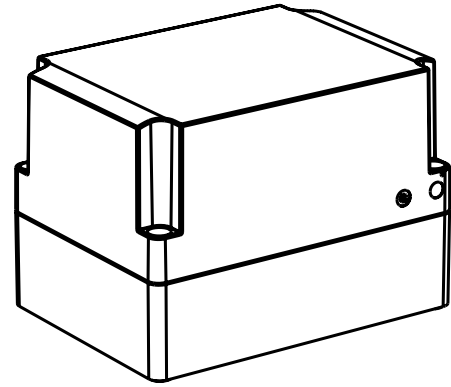
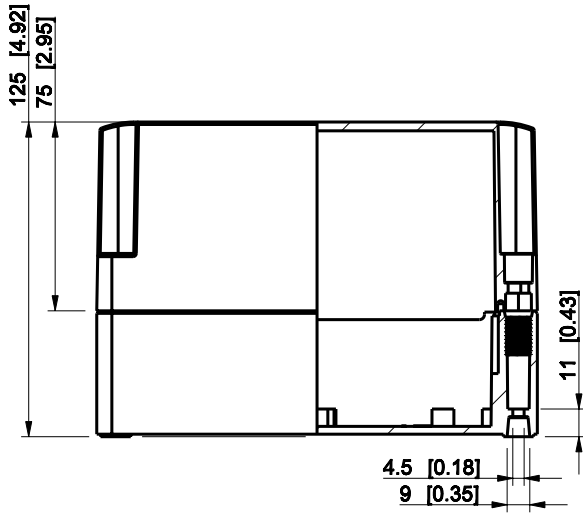
SPCP131810LG

| | | |
|-------|---------|----------|
| Scale | Date | 04.12.08 |
| 1:3 | By | PKos |
| - | Checked | |
| - | Ctrl | |

| | |
|-----------|--------------|
| Replaces: | |
| Replaced: | |
| Drw No: | - A |
| Ref: | Cubo S |
| Code: | SPCP131810LG |
| Sheet No: | |

model SPCP131810LG PART
drawing CUBOS_4_DRAWING

| ID | Description | Date | By | Appr. |
|----|-------------|------|----|-------|
| A | | | | |



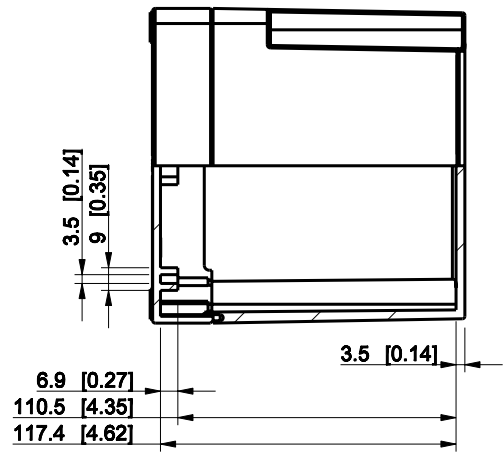
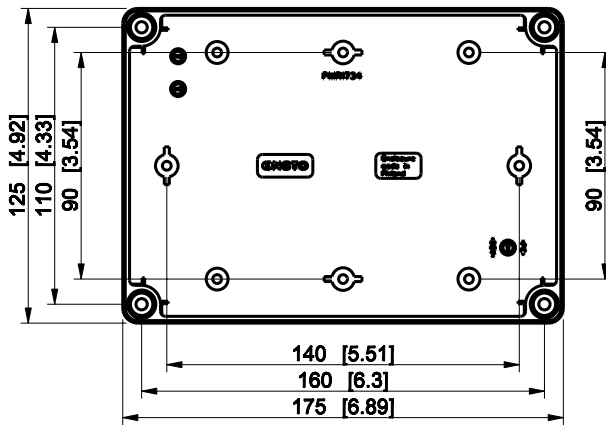
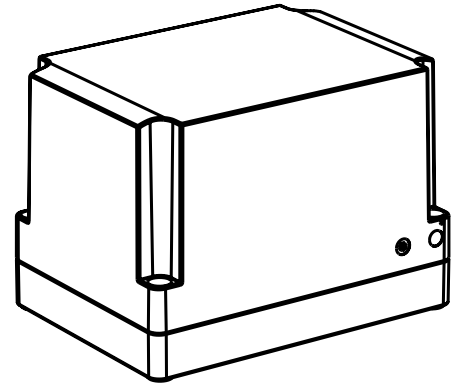
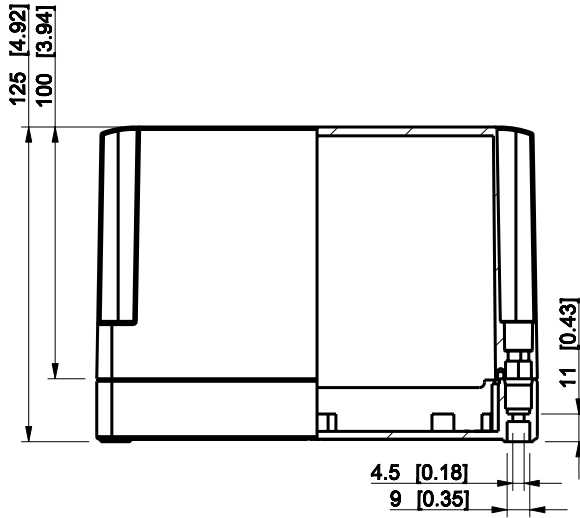
Dimensions in mm [inches]

| | |
|--|-----------------|
| Material: Polycarbonate, fiberglass-reinforced | Color: RAL 7035 |
|--|-----------------|

| | | | |
|-----------|----------|-------------------|---------|
| Supplier: | Tool No: | Weight [kg]: 0.46 | Volume: |
|-----------|----------|-------------------|---------|

| | | | | |
|---|---------|-----------|----------------------|-------------------|
| model SPCP131813G PART drawing CUBOS DRAWING | | | <h1>SPCP131813G</h1> | Replaces: |
| | | | | Replaced: |
| | Scale | Date | | Drw No: - A |
| | 1:3 | 08.12.08 | | Ref: Cubo S |
| | - | By PKOs | | Code: SPCP131813G |
| - | Checked | Sheet No: | | |
| - | Ctrl | | | |

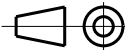
| ID | Description | Date | By | Appr. |
|----|-------------|------|----|-------|
| A | | | | |



Dimensions in mm [inches]

| | |
|--|-----------------|
| Material: Polycarbonate, fiberglass-reinforced | Color: RAL 7035 |
|--|-----------------|

| | | | |
|-----------|----------|-------------------|---------|
| Supplier: | Tool No: | Weight [kg]: 0.46 | Volume: |
|-----------|----------|-------------------|---------|



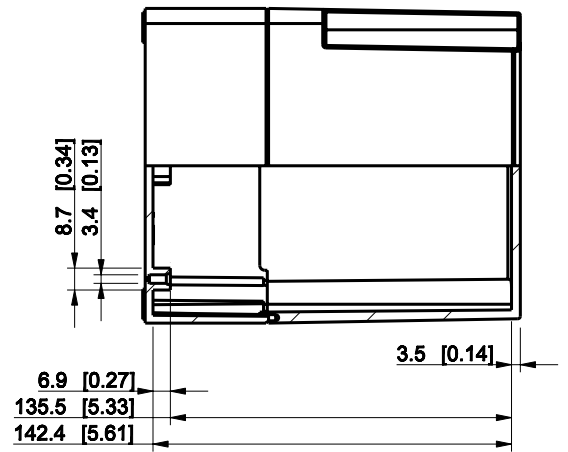
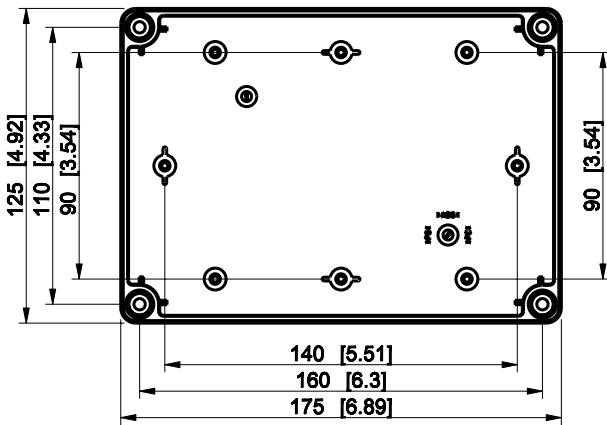
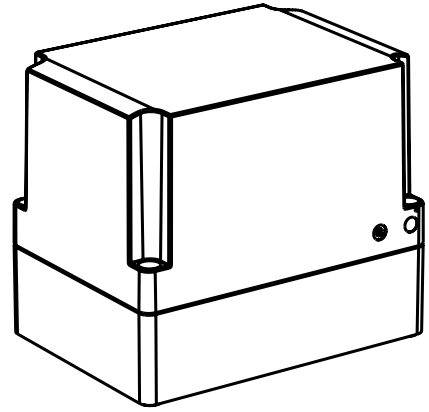
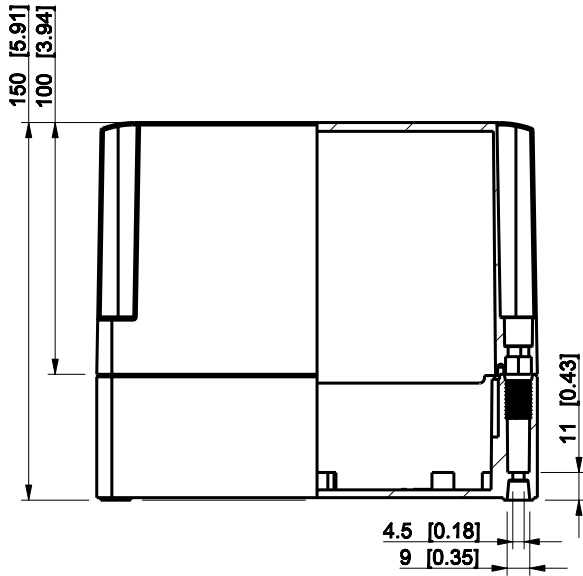
SPCP131813LG

| | | |
|-------|---------|----------|
| Scale | Date | 04.12.08 |
| 1:3 | By | PKos |
| - | Checked | |
| - | Ctrl | |

| |
|--------------------|
| Replaces: |
| Replaced: |
| Drw No: - A |
| Ref: Cubo S |
| Code: SPCP131813LG |
| Sheet No: |

model SPCP131813LG PART
drawing CUBOS_4.DRAWING

| ID | Description | Date | By | Appr. |
|----|-------------|------|----|-------|
| A | | | | |



Dimensions in mm [inches]

| | |
|--|-----------------|
| Material: Polycarbonate, fiberglass-reinforced | Color: RAL 7035 |
|--|-----------------|

| | | | |
|-----------|----------|-------------------|---------|
| Supplier: | Tool No: | Weight [kg]: 0.52 | Volume: |
|-----------|----------|-------------------|---------|



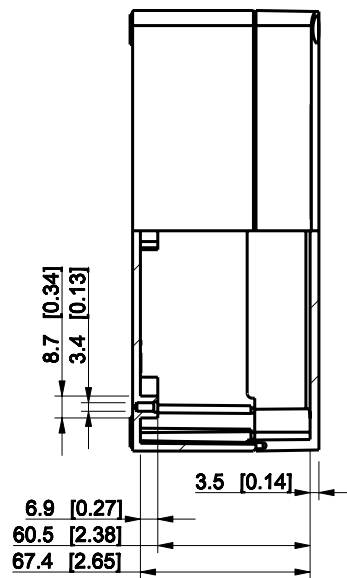
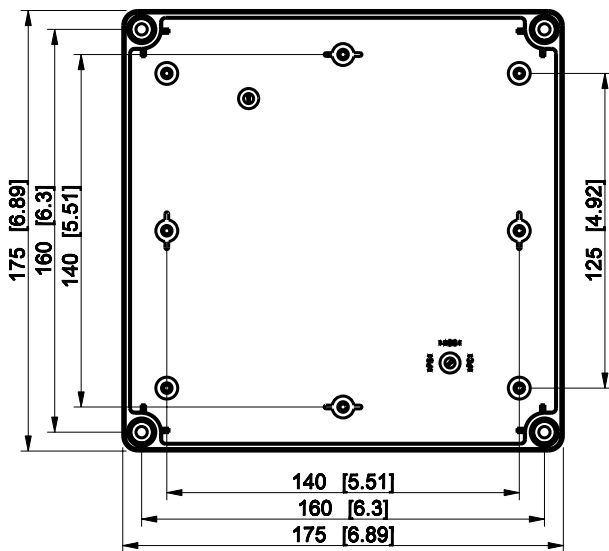
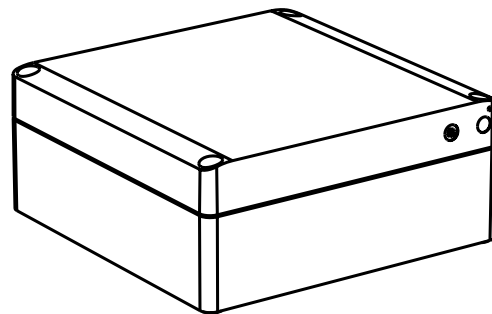
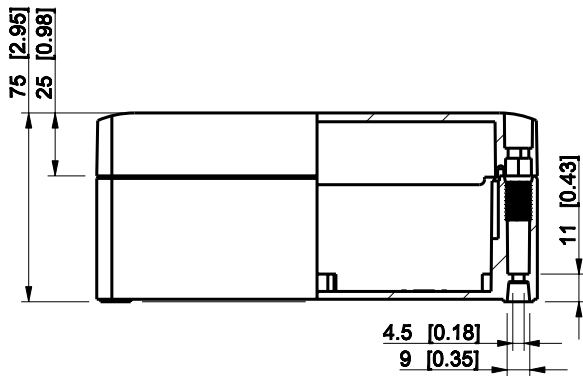
SPCP131815G

| | | |
|-------|---------|----------|
| Scale | Date | 08.12.08 |
| 1:3 | By | PKos |
| - | Checked | |
| - | Ctrl | |

| | |
|-----------|-------------|
| Replaces: | |
| Replaced: | |
| Drw No: | - A |
| Ref: | Cubo S |
| Code: | SPCP131815G |
| Sheet No: | |

model SPCP131815G PART
drawing CUBOS DRAWING

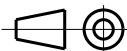
| ID | Description | Date | By | Appr. |
|----|-------------|------|----|-------|
| A | | | | |



Dimensions in mm [inches]

| | |
|--|-----------------|
| Material: Polycarbonate, fiberglass-reinforced | Color: RAL 7035 |
|--|-----------------|

| | | | |
|-----------|----------|-------------------|---------|
| Supplier: | Tool No: | Weight [kg]: 0.44 | Volume: |
|-----------|----------|-------------------|---------|



SPCP181808G

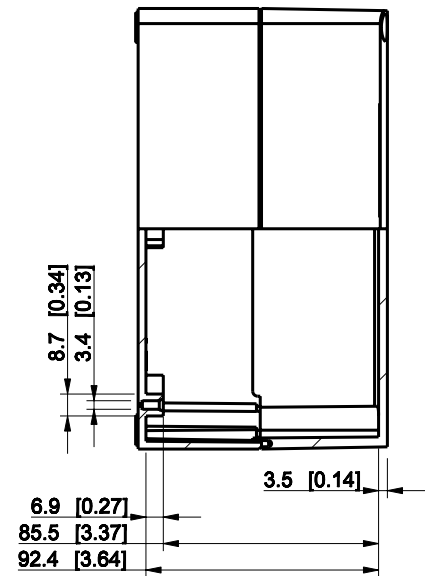
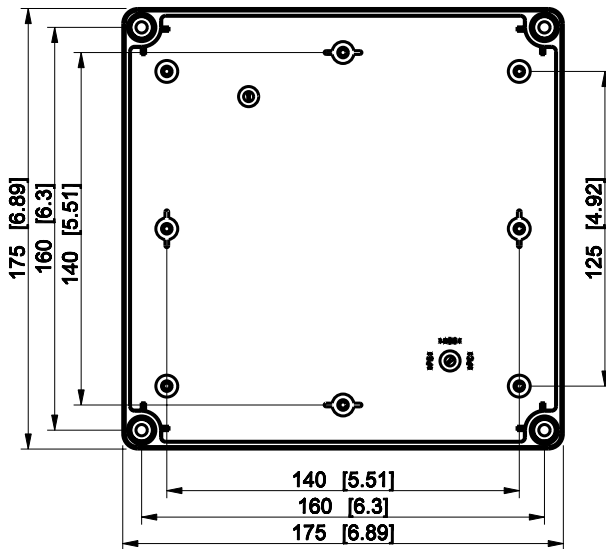
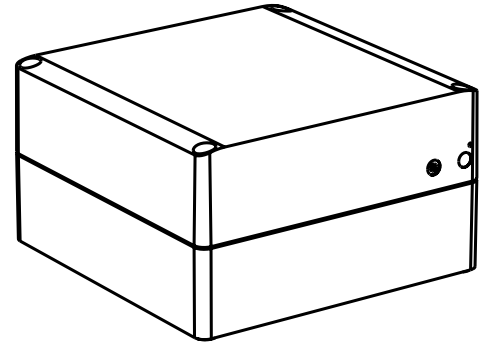
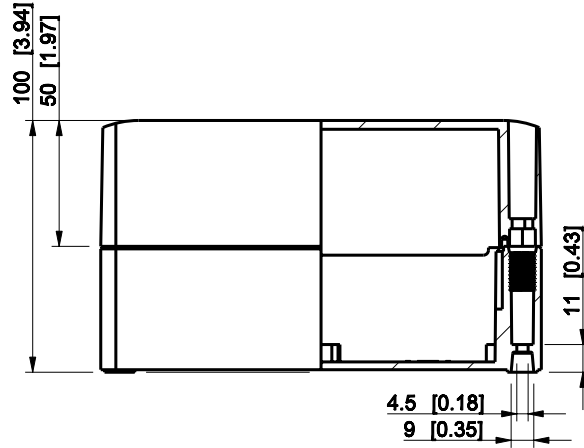
| | | |
|-------|---------|----------|
| Scale | Date | 08.12.08 |
| 1:3 | By | PKos |
| - | Checked | |
| - | Ctrl | |

| | |
|-----------|-------------|
| Replaces: | |
| Replaced: | |
| Drw No: | - A |
| Ref: | Cubo S |
| Code: | SPCP181808G |
| Sheet No: | |

model SPCP181808G PART

drawing CUBOS DRAWING

| ID | Description | Date | By | Appr. |
|----|-------------|------|----|-------|
| A | | | | |

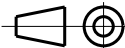


Dimensions in mm [inches]

| | |
|--|-----------------|
| Material: Polycarbonate, fiberglass-reinforced | Color: RAL 7035 |
|--|-----------------|

| | | | |
|-----------|----------|-------------------|---------|
| Supplier: | Tool No: | Weight [kg]: 0.52 | Volume: |
|-----------|----------|-------------------|---------|

ENSTO
ENSTO CONTROL OY



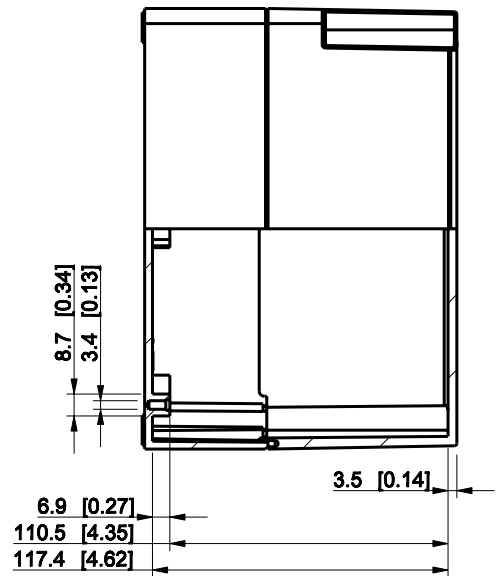
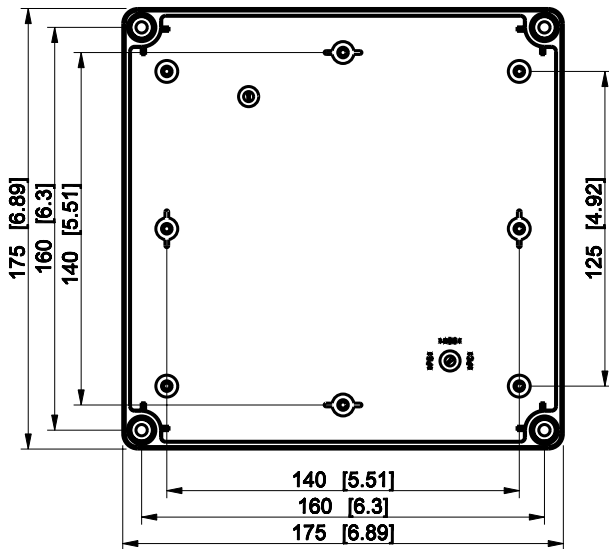
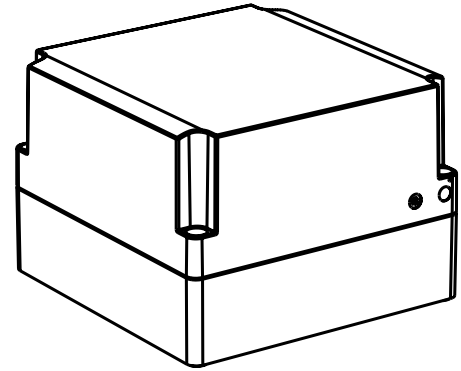
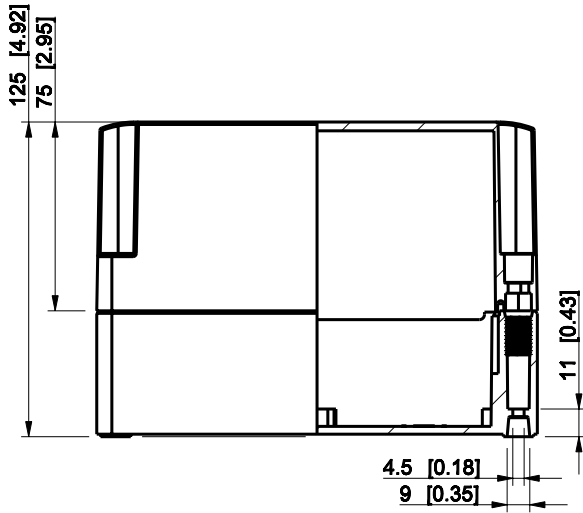
SPCP181810G

| | | |
|-------|---------|----------|
| Scale | Date | 08.12.08 |
| 1:3 | By | PKos |
| - | Checked | |
| - | Ctrl | |

| | |
|-----------|-------------|
| Replaces: | |
| Replaced: | |
| Drw No: | - A |
| Ref: | Cubo S |
| Code: | SPCP181810G |
| Sheet No: | |

model SPCP181810G PART
drawing CUBOS DRAWING

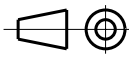
| ID | Description | Date | By | Appr. |
|----|-------------|------|----|-------|
| A | | | | |



Dimensions in mm [inches]

| | |
|--|-----------------|
| Material: Polycarbonate, fiberglass-reinforced | Color: RAL 7035 |
|--|-----------------|

| | | | |
|-----------|----------|-------------------|---------|
| Supplier: | Tool No: | Weight [kg]: 0.58 | Volume: |
|-----------|----------|-------------------|---------|



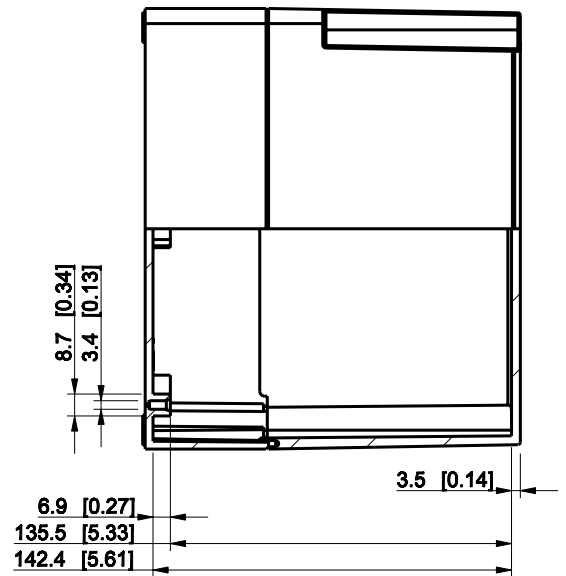
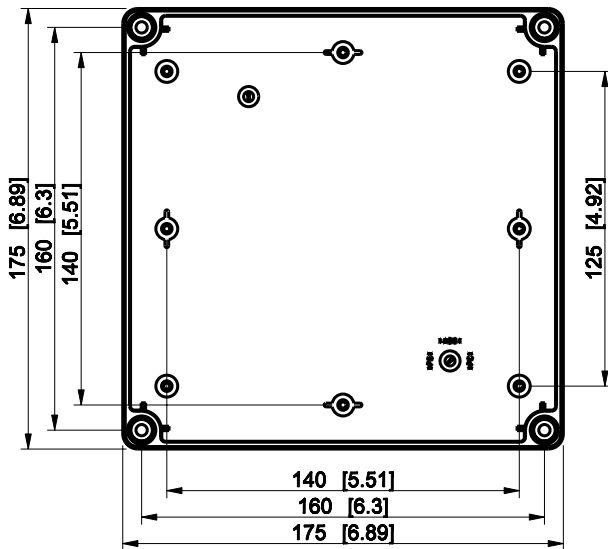
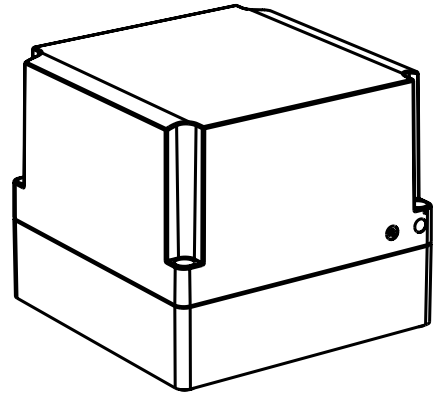
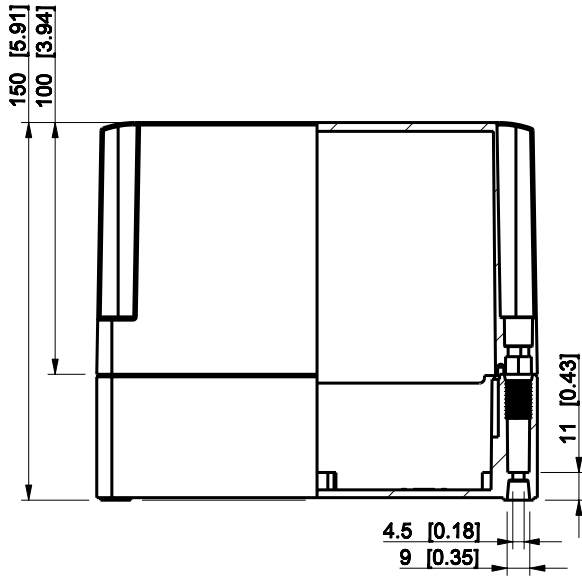
SPCP181813G

| | | |
|-------|---------|----------|
| Scale | Date | 08.12.08 |
| 1:3 | By | PKos |
| - | Checked | |
| - | Ctrl | |

| | |
|-----------|-------------|
| Replaces: | |
| Replaced: | |
| Drw No: | - A |
| Ref: | Cubo S |
| Code: | SPCP181813G |
| Sheet No: | |

model SPCP181813G PART
drawing CUBOS DRAWING

| ID | Description | Date | By | Appr. |
|----|-------------|------|----|-------|
| A | | | | |

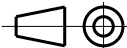


Dimensions in mm [inches]

| | |
|--|-----------------|
| Material: Polycarbonate, fiberglass-reinforced | Color: RAL 7035 |
|--|-----------------|

| | | | |
|-----------|----------|-------------------|---------|
| Supplier: | Tool No: | Weight [kg]: 0.65 | Volume: |
|-----------|----------|-------------------|---------|

ENSTO
ENSTO CONTROL OY



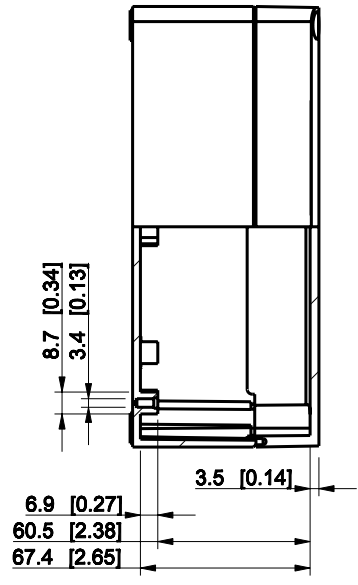
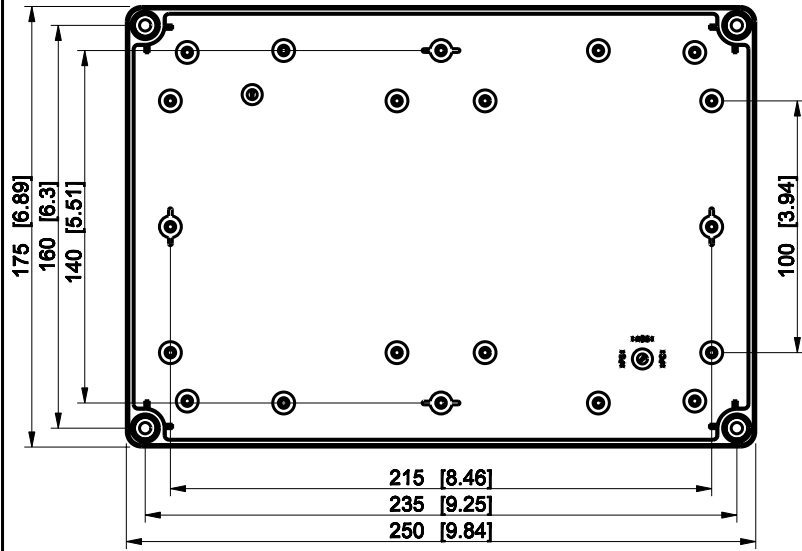
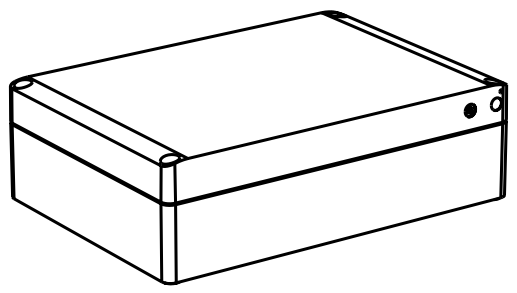
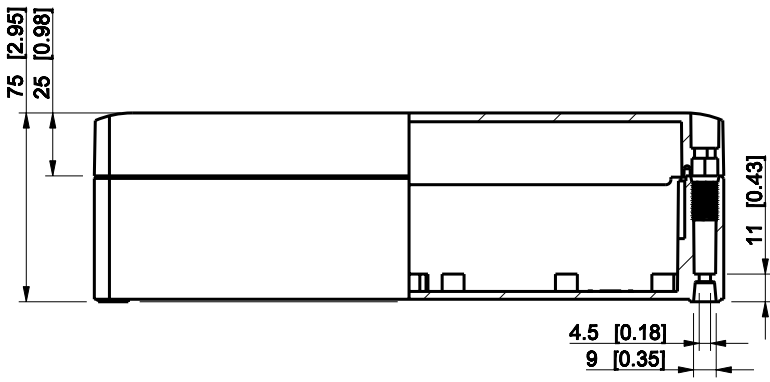
SPCP181815G

| | | |
|-------|---------|----------|
| Scale | Date | 08.12.08 |
| 1:3 | By | PKos |
| - | Checked | |
| - | Ctrl | |

| |
|-------------------|
| Replaces: |
| Replaced: |
| Drw No: - A |
| Ref: Cubo S |
| Code: SPCP181815G |
| Sheet No: |

model SPCP181815G PART
drawing CUBOS DRAWING

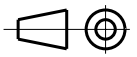
| ID | Description | Date | By | Appr. |
|----|-------------|------|----|-------|
| A | | | | |



Dimensions in mm [inches]

Material: Polycarbonate, fiberglass-reinforced Color: RAL 7035

Supplier: Tool No: Weight [kg]: 0.58 Volume:



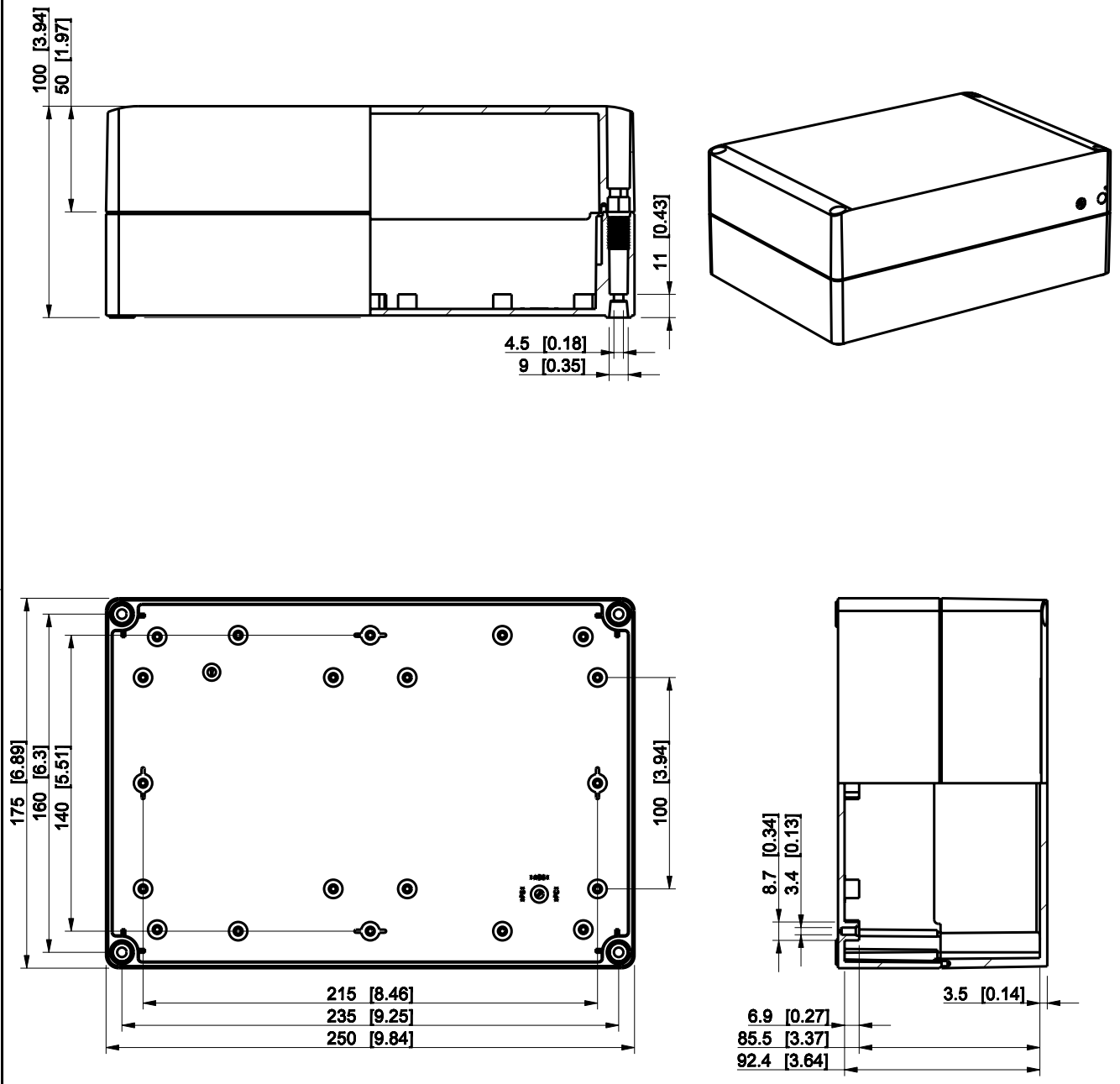
SPCP182508G

| | | |
|-------|---------|----------|
| Scale | Date | 08.12.08 |
| 1:3 | By | PKos |
| - | Checked | |
| - | Ctrl | |

| | |
|-----------|-------------|
| Replaces: | |
| Replaced: | |
| Drw No: | - A |
| Ref: | Cubo S |
| Code: | SPCP182508G |
| Sheet No: | |

model SPCP182508G PART
 drawing CUBOS DRAWING

| ID | Description | Date | By | Appr. |
|----|-------------|------|----|-------|
| A | | | | |



Dimensions in mm [inches]

| | |
|--|-----------------|
| Material: Polycarbonate, fiberglass-reinforced | Color: RAL 7035 |
|--|-----------------|

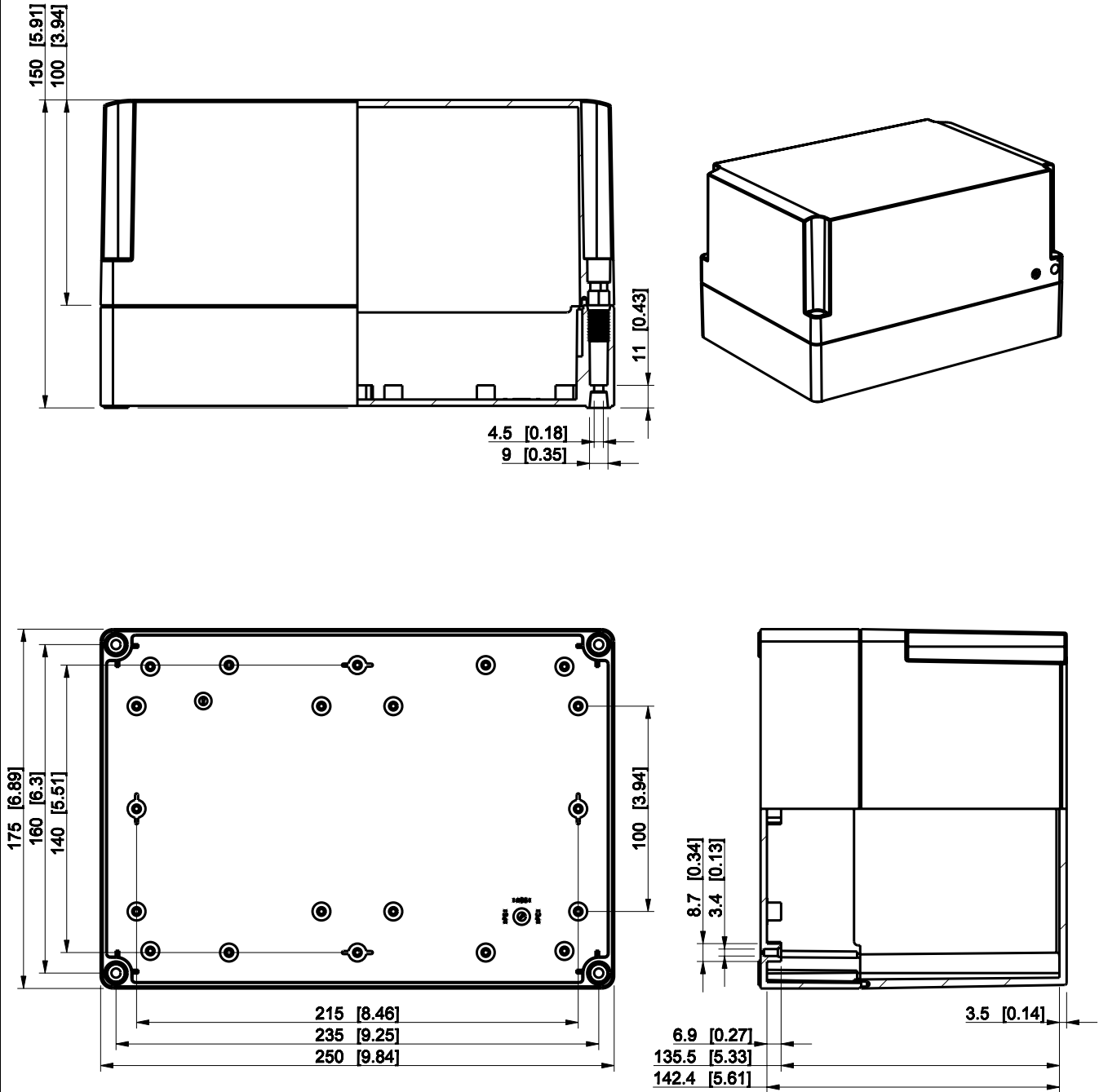
| | | | |
|-----------|----------|-------------------|---------|
| Supplier: | Tool No: | Weight [kg]: 0.69 | Volume: |
|-----------|----------|-------------------|---------|

| | | | | |
|----------------------------------|--|--------------------|--|-------------|
| ENSTO ENSTO CONTROL OY | | SPCP182510G | | Replaces: |
| | | | | Replaced: |
| | | | | Drw No: - A |
| | | | | Ref: Cubo S |

| | | | |
|-------|---------|----------|-------------------|
| Scale | Date | 08.12.08 | Code: SPCP182510G |
| 1:3 | By | PKos | Sheet No: |
| - | Checked | | |
| - | Ctrl | | |

model SPCP182510G PART
drawing CUBOS DRAWING

| ID | Description | Date | By | Appr. |
|----|-------------|------|----|-------|
| A | | | | |



Dimensions in mm [inches]

Material: Polycarbonate, fiberglass-reinforced Color: RAL 7035

Supplier: Tool No: Weight [kg]: 0.85 Volume:

ENSTO
ENSTO CONTROL OY



SPCP182515G

| | | |
|-------|---------|----------|
| Scale | Date | 08.12.08 |
| 1:3 | By | PKos |
| - | Checked | |
| - | Ctrl | |

| | |
|-----------|-------------|
| Replaces: | |
| Replaced: | |
| Drw No: | - A |
| Ref: | Cubo S |
| Code: | SPCP182515G |
| Sheet No: | |

model SPCP182515G PART
drawing CUBOS DRAWING