

SOLUTIONS FOR EXTREME APPLICATIONS

SUITE CABINETS E NUX
MONOBLOC CABINETS E MOX
COMPACT SOLUTIONS E COMP
WALL-MOUNTING BOXES E COR
ELECTRICAL ENCLOSURES
COMPLYING WITH ATEX E COR
TERMINAL BOXES E GRAN
PUSHBUTTON BOXES SHX
SOLUTIONS
WITH SLOPED ROOF E COR
MONOBLOC CONTROL DESKS ZBX
MODULAR CONTROL DESKS
STAINLESS STEEL SOLUTIONS

SINGLE WALL SOLUTIONS E VIS
DOUBLE WALL SOLUTIONS E VIS
OUTDOOR SOLUTIONS

EMC SOLUTIONS

SUITE CABINETS E NUX
WALL MOUNTING BOXES STE
TERMINAL BOXES SDE



e nux
STAINLESS STEEL

e mox
STAINLESS STEEL

e comp
STAINLESS STEEL

e cor
STAINLESS STEEL

e GRAN
STAINLESS STEEL

EXTREME PROTECTION FOR HARSH ENVIRONMENTS



- FOOD
- OIL & GAS
- CHEMICAL
- PETRO-CHEMICAL
- IN-SHORE MARINE ENVIRONMENTS
- OFF-SHORE

Stainless steel

For indoor and outdoor applications, where the main requirement is to offer a high resistance to harsh chemical and environmental factors, we propose AISI304L and AISI316L stainless steel solutions.



RESEARCH

Use of new silicone seal for the new ranges of stainless steel products.

ADDED VALUE

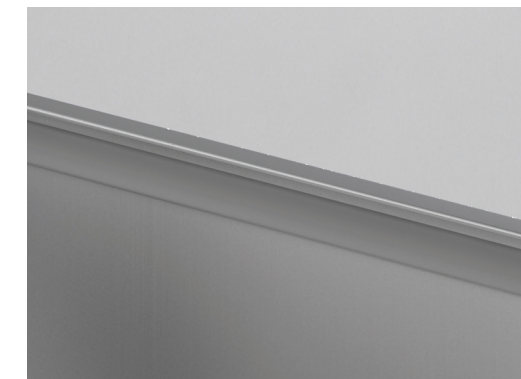
Cabinet E NUX and boxes E COR provided with AISI316L stainless steel hinges. E NUX components: rear panel fixing brackets, side panel fixing brackets, door locking points, everything manufactured from stainless steel AISI316L.

STRENGTH

New E COR, E NUX, E MOX and E COMP front door, produced with formed corners. E NUX structure proposed with the same high-performance constructive concepts of the sheet steel version.

DESIGN

A new locking cover for boxes E COR with a double door, a functional and eye-catching handle used for cabinets: E NUX, E MOX and E COMP.



SUSTAINABILITY

Innovative energy-saving laser technology for high precision welding in order to produce our structure E NUX.

PROTECTION

Boxes E COR, cabinets E NUX and E MOX/E COMP doors manufactured from pre-satinized stainless steel sheet (AISI304L or AISI316L) covered with PVC film for additional protection and provided with new packaging.

FUNCTIONALITY

Front door with a reduced dimension of the door angle, in order to permit the door opening in case of E COR boxes placed side by side. Easy assembly of E NUX suite cabinet thanks to the innovative orthogonal joint.

EASINESS

Boxes E COR supplied with a mounting plate that is provided with slots in the corner, to allow a simple installation.

Stainless steel

Stainless steel

PLUS

Certified welding process UNI EN15614 WPAR (Welding Procedure Approval Record) and WPS (Welding Procedure Specification).

Certification of the quality management system according to ATEX standard.

Highly qualified & well trained staff.

Customisation with holes, cut-outs, special dimension & professional assistance for special projects.





CHARACTERISTICS

The profile used for uprights and crosspieces is unique, manufactured from stainless steel AISI304L (AISI316L on request), closed with continuous welding and free of sharp edges. The bottom is a single piece with box-type structure manufactured from press-bent welded profiles (in stainless steel AISI304L (AISI316L on request), while the frame corners are manufactured with AISI316L stainless steel orthogonal joints laser welded to vertical upright rails and horizontal rails for the roof and bottom. The union of the entire structure is obtained by 8 high-strength screws and positioning pins between the two parts of the orthogonal joint. Hinges in stainless steel AISI316L.

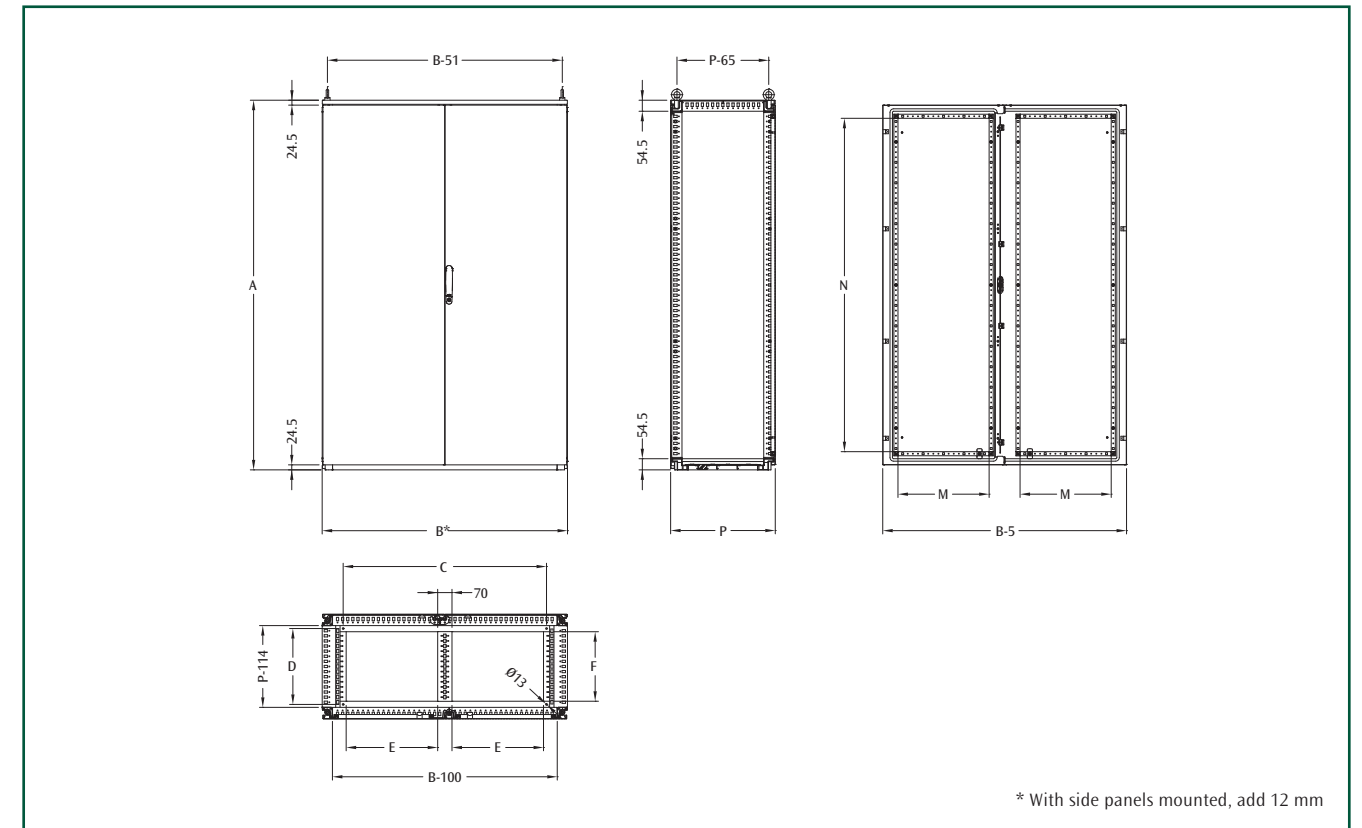
SUPPLY

- structure manufactured from stainless steel sheet AISI304L (AISI316L on request)
- roof and rear panel manufactured from pre-satinized stainless steel sheet AISI304L (AISI316L on request)
- door with formed corners manufactured from pre-satinized stainless steel sheet AISI304L (AISI316L on request) provided with a stiffening tubular frame, silicone seal and \varnothing 3 mm double bar lever-operated locking system
- bottom manufactured from stainless steel sheet AISI304L (AISI316L on request) with modular and adjustable cable entry (double cable entry for $L \geq 1000$ mm) and gasket.

PROTECTION RATING

- IP55 complying with IEC EN62208; EN60529
- NEMA 12 complying with UL508A; UL50
- protection degree guaranteed by the two-component silicone foam seal
- impact resistance IK10 complying with IEC EN62208; EN62202.

Note: available on request: single door cabinet and suite cabinets, with protection rating IP56/IP65, NEMA 4X. For more information, see page 69.



* With side panels mounted, add 12 mm

- Note:** main accessories to be ordered separately:
- mounting plate EUPA, see page 207
 - side panels EUFX, see page 209
 - plinth EUZX, see page 210.

E NUX STAINLESS STEEL WITH SINGLE BLANK DOOR

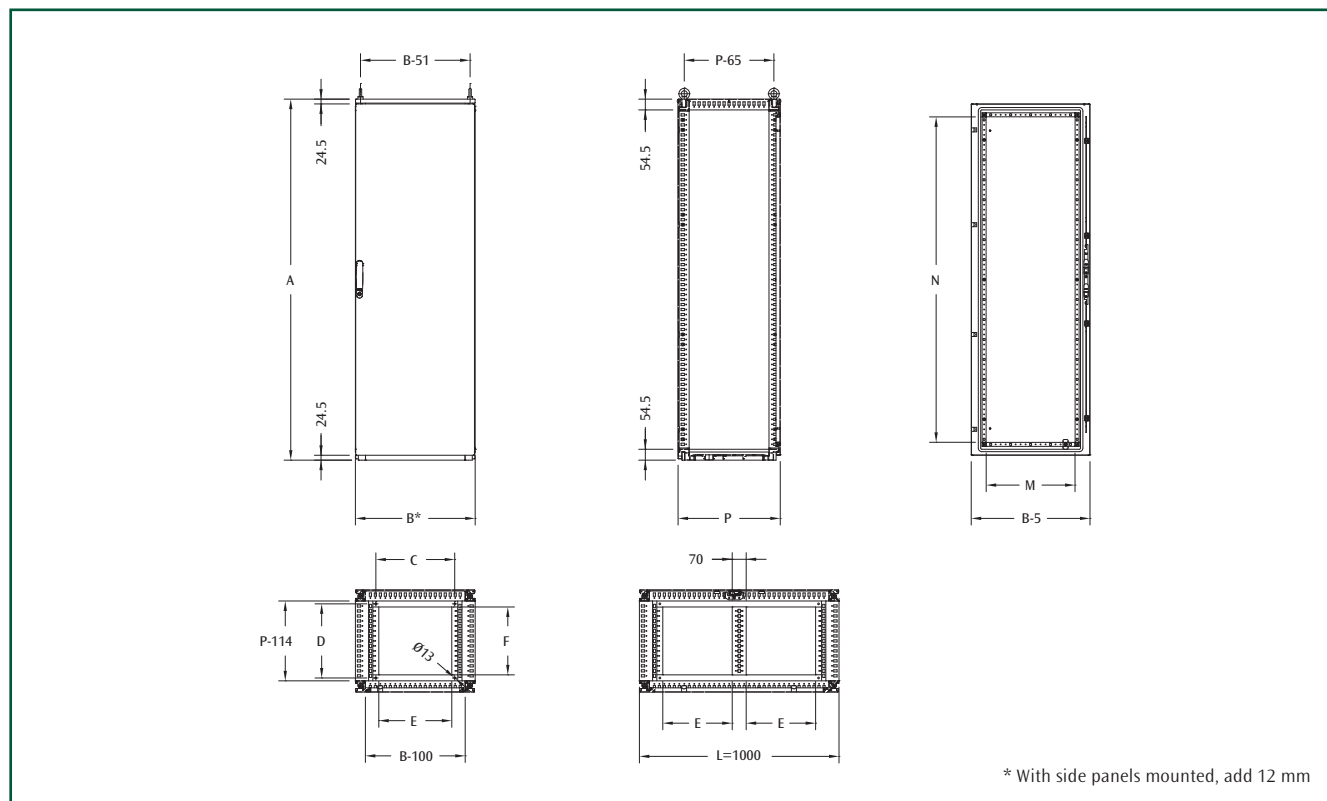
E NUX CODE	DIMENSIONS			CABINET DIMENSIONS			FLOOR FIXING		CABLE ENTRY		DOOR SPACE	
	WIDTH	HEIGHT	DEPTH	B*	A	P	C	D	E	F	M	N
ENUX-061804PRX	600	1800	400	600	1809	414	395	271	365	240	445	1630
ENUX-061805PRX	600	1800	500	600	1809	514	395	371	365	340	445	1630
ENUX-062005PRX	600	2000	500	600	2009	514	395	371	365	340	445	1830
ENUX-062006PRX	600	2000	600	600	2009	614	395	471	365	440	445	1830
ENUX-081804PRX	800	1800	400	800	1809	414	595	271	565	240	645	1630
ENUX-081805PRX	800	1800	500	800	1809	514	595	371	565	340	645	1630
ENUX-082005PRX	800	2000	500	800	2009	514	595	371	565	340	645	1830
ENUX-082006PRX	800	2000	600	800	2009	614	595	471	565	440	645	1830
ENUX-101805PRX	1000	1800	500	1000	1809	514	795	371	765	340	845	1630
ENUX-101806PRX	1000	1800	600	1000	1809	614	795	471	765	440	845	1630
ENUX-102005PRX	1000	2000	500	1000	2009	514	795	371	765	340	845	1830
ENUX-102006PRX	1000	2000	600	1000	2009	614	795	471	765	440	845	1830

Note: to order a stainless steel enclosure in high grade AISI316L, add the suffix "H" to the code (i.e.:ENUX-061804PRXH).

E NUX STAINLESS STEEL WITH DOUBLE BLANK DOOR

E NUX CODE	DIMENSIONS			CABINET DIMENSIONS			FLOOR FIXING		CABLE ENTRY		DOOR SPACE	
	WIDTH	HEIGHT	DEPTH	B*	A	P	C	D	E	F	M	N
ENUX-121804PRX	1200	1800	400	1200	1809	414	995	271	447	240	445	1630
ENUX-121805PRX	1200	1800	500	1200	1809	514	995	371	447	340	445	1630
ENUX-122005PRX	1200	2000	500	1200	2009	514	995	371	447	340	445	1830
ENUX-122006PRX	1200	2000	600	1200	2009	614	995	471	447	440	445	1830

Note: to order a stainless steel enclosure in high grade AISI316L, add the suffix "H" to the code (i.e.: ENUX-121804PRXH).



* With side panels mounted, add 12 mm

- Note:** main accessories to be ordered separately:
- mounting plate EUPA, see page 207
 - side panels EUFX, see page 209
 - plinth EUZX, see page 210.

Note: available on request: stainless steel modular cabinet E NUX with internal doors and E NUX PC cabinet with sliding shelf.



* Product AtEx: Contact the ETA commercial office for cabinet with tempered glass



CHARACTERISTICS

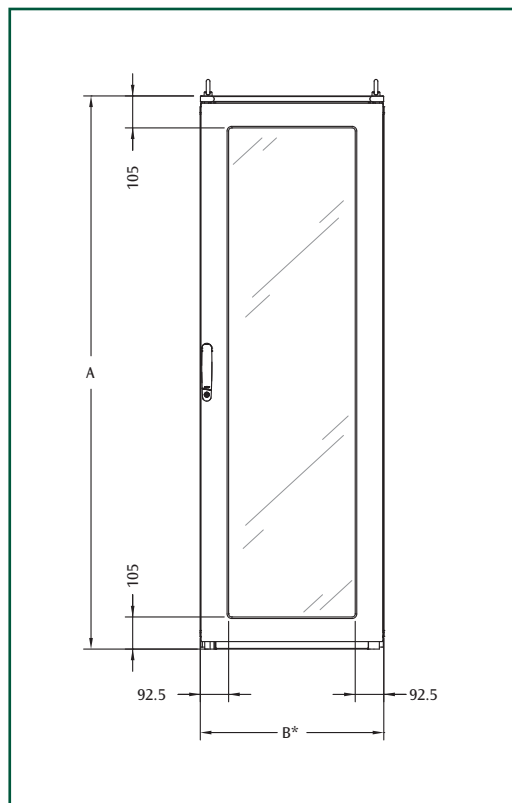
The profile used for uprights and crosspieces is unique, manufactured from stainless steel AISI304L (AISI316L on request), closed with continuous welding and free of sharp edges. The bottom is a single piece with box-type structure manufactured from press-bent welded profiles (in stainless steel AISI304L (AISI316L on request), while the frame corners are manufactured with AISI316L stainless steel orthogonal joints laser welded to vertical upright rails and horizontal rails for the roof and bottom. The union of the entire structure is obtained by 8 high-strength screws and positioning pins between the two parts of the orthogonal joint. Hinges in stainless steel AISI316L.

SUPPLY

- structure manufactured from stainless steel sheet AISI304L (AISI316L on request)
- roof and rear panel manufactured from pre-satinized stainless steel sheet AISI304L (AISI316L on request)
- door with formed corners manufactured from pre-satinized stainless steel sheet AISI304L (AISI316L on request) provided with a stiffening tubular frame, Plexiglas, silicone seal and ø 3 mm lever-operated double bar locking system
- bottom manufactured from stainless steel sheet AISI304L (AISI316L on request) with modular and adjustable cable entry (double cable entry for W=1000mm) and gasket.

PROTECTION RATING

- IP55 complying with IEC EN62208; EN60529
- NEMA 12 complying with UL508A; UL50
- protection degree guaranteed by the two-component silicone foam seal
- impact resistance IK10 complying with IEC EN62208; EN62202.



E NUX STAIN. STEEL WITH PLEXI DOOR

E NUX CODE	CABINET DIMENSIONS		
	B*	A	P
ENUX-061804PVX	600	1809	414
ENUX-061805PVX	600	1809	514
ENUX-062005PVX	600	2009	514
ENUX-062006PVX	600	2009	614
ENUX-081804PVX	800	1809	414
ENUX-081805PVX	800	1809	514
ENUX-082005PVX	800	2009	514
ENUX-082006PVX	800	2009	614
ENUX-101805PVX	1000	1809	514
ENUX-101806PVX	1000	1809	614
ENUX-102005PVX	1000	2009	514
ENUX-102006PVX	1000	2009	614

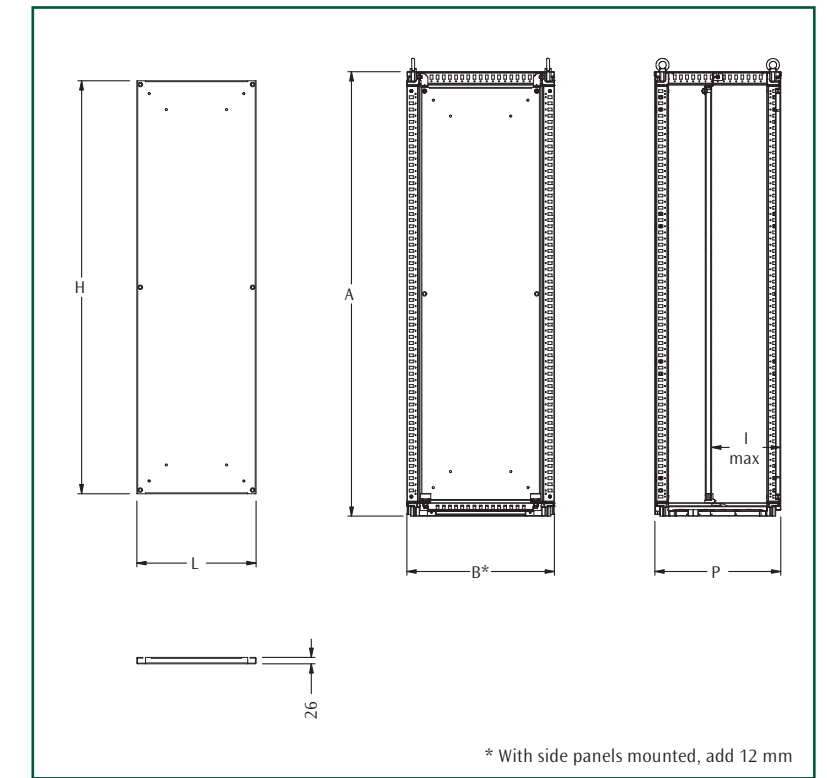
Note: to order a stainless steel enclosure in high grade AISI 316L, add the suffix "H" to the code (i.e.: ENUX-061804PVXH).

FRONT INSERTED MOUNTING PLATE EUPA

CHARACTERISTICS

Manufactured from sendzimir sheet steel:

- thickness 2.5 mm for L<1000
- thickness 3.0 mm for L≥1000.



* With side panels mounted, add 12 mm

MOUNTING PLATE W=600

EUPA CODE	CABINET DIMENSIONS			MOUNTING PLATE DIM.		
	B*	A	P	L	H	I MAX
EUPA-060180	600	1809	414	485	1680	350
EUPA-060180	600	1809	514	485	1680	450
EUPA-060180	600	1809	614	485	1680	550
EUPA-060200	600	2009	414	485	1880	350
EUPA-060200	600	2009	514	485	1880	450
EUPA-060200	600	2009	614	485	1880	550

MOUNTING PLATE W=1000

EUPA CODE	CABINET DIMENSIONS			MOUNTING PLATE DIM.		
	B*	A	P	L	H	I MAX
EUPA-100180	1000	1809	414	885	1680	350
EUPA-100180	1000	1809	514	885	1680	450
EUPA-100180	1000	1809	614	885	1680	550
EUPA-100200	1000	2009	414	885	1880	350
EUPA-100200	1000	2009	514	885	1880	450
EUPA-100200	1000	2009	614	885	1880	550

MOUNTING PLATE W=800

EUPA CODE	CABINET DIMENSIONS			MOUNTING PLATE DIM.		
	B*	A	P	L	H	I MAX
EUPA-080180	800	1809	414	685	1680	350
EUPA-080180	800	1809	514	685	1680	450
EUPA-080180	800	1809	614	685	1680	550
EUPA-080200	800	2009	414	685	1880	350
EUPA-080200	800	2009	514	685	1880	450
EUPA-080200	800	2009	614	685	1880	550

MOUNTING PLATE W=1200

EUPA CODE	CABINET DIMENSIONS			MOUNTING PLATE DIM.		
	B*	A	P	L	H	I MAX
EUPA-120180	1200	1809	414	1085	1680	350
EUPA-120180	1200	1809	514	1085	1680	450
EUPA-120180	1200	1809	614	1085	1680	550
EUPA-120200	1200	2009	414	1085	1880	350
EUPA-120200	1200	2009	514	1085	1880	450
EUPA-120200	1200	2009	614	1085	1880	550

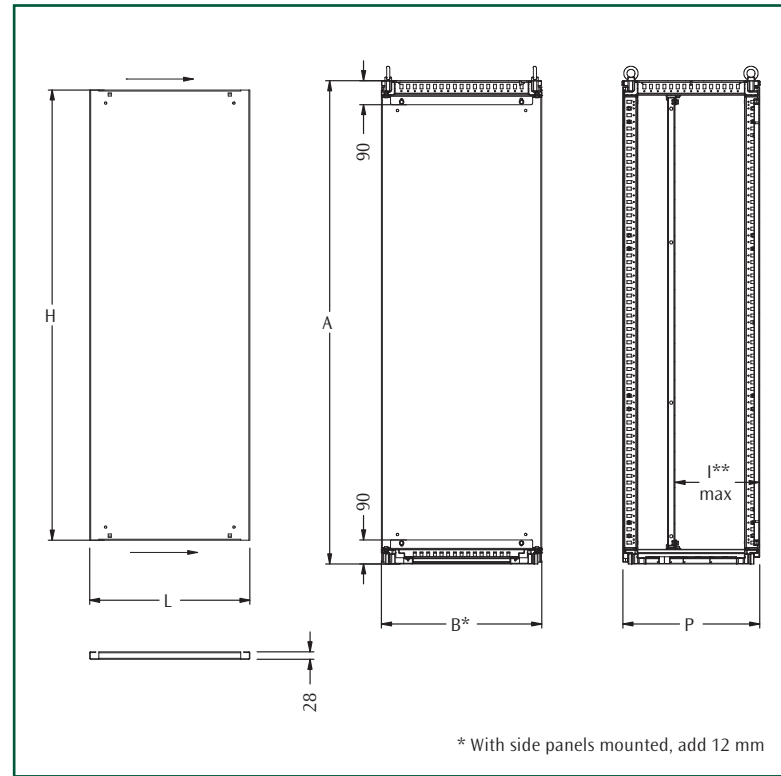
SIDE INSERTED MOUNTING PLATE EUPL

CHARACTERISTICS

Manufactured from 2.5 mm thick sendzimir sheet steel.

SUPPLY

Includes mounting accessories and sliding guides.



MOUNTING PLATE W=600

EUPL CODE	CABINET DIMENSIONS			MOUNTING PLATE DIM.		
	B*	A	P	L	H	I MAX
EUPL-060180	600	1809	414	600	1685	315
EUPL-060180	600	1809	514	600	1685	415
EUPL-060180	600	1809	614	600	1685	515
EUPL-060200	600	2009	414	600	1885	315
EUPL-060200	600	2009	514	600	1885	415
EUPL-060200	600	2009	614	600	1885	515

MOUNTING PLATE W=1000

EUPL CODE	CABINET DIMENSIONS			MOUNTING PLATE DIM.		
	B*	A	P	L	H	I MAX
EUPL-100180	1000	1809	414	1000	1685	315
EUPL-100180	1000	1809	514	1000	1685	415
EUPL-100180	1000	1809	614	1000	1685	515
EUPL-100200	1000	2009	414	1000	1885	315
EUPL-100200	1000	2009	514	1000	1885	415
EUPL-100200	1000	2009	614	1000	1885	515

MOUNTING PLATE W=800

EUPL CODE	CABINET DIMENSIONS			MOUNTING PLATE DIM.		
	B*	A	P	L	H	I MAX
EUPL-080180	800	1809	414	800	1685	315
EUPL-080180	800	1809	514	800	1685	415
EUPL-080180	800	1809	614	800	1685	515
EUPL-080200	800	2009	414	800	1885	315
EUPL-080200	800	2009	514	800	1885	415
EUPL-080200	800	2009	614	800	1885	515

MOUNTING PLATE W=1200

EUPL CODE	CABINET DIMENSIONS			MOUNTING PLATE DIM.		
	B*	A	P	L	H	I MAX
EUPL-120180	1200	1809	414	1200	1685	315
EUPL-120180	1200	1809	514	1200	1685	415
EUPL-120180	1200	1809	614	1200	1685	515
EUPL-120200	1200	2009	414	1200	1885	315
EUPL-120200	1200	2009	514	1200	1885	415
EUPL-120200	1200	2009	614	1200	1885	515

SIDE PANELS EUFX

CHARACTERISTICS

Manufactured from AISI 304L stainless steel sheet (AISI 316L on request) with rounded folding.

SUPPLY

- two side panels
- rapid fasten couplers
- mounting accessories.

Note: to order the side panels for the mounting of 180° hinges, add the suffix "C" to the code (i.e.: EUFX-040180C).

SIDE PANELS

EUFX CODE	DIMENSIONS	
	HEIGHT	DEPTH
EUFX-040180	1800	400
EUFX-050180	1800	500
EUFX-060180	1800	600
EUFX-050200	2000	500
EUFX-060200	2000	600

Note: to order the item in high grade AISI 316L, add the suffix "H" to the code. (i.e.: EUFX-040180H).



INNER DOOR EUPIX

CHARACTERISTICS

Manufactured from AISI304L stainless steel material (AISI 316L on request) and supplied complete with vertical uprights and horizontal rails.

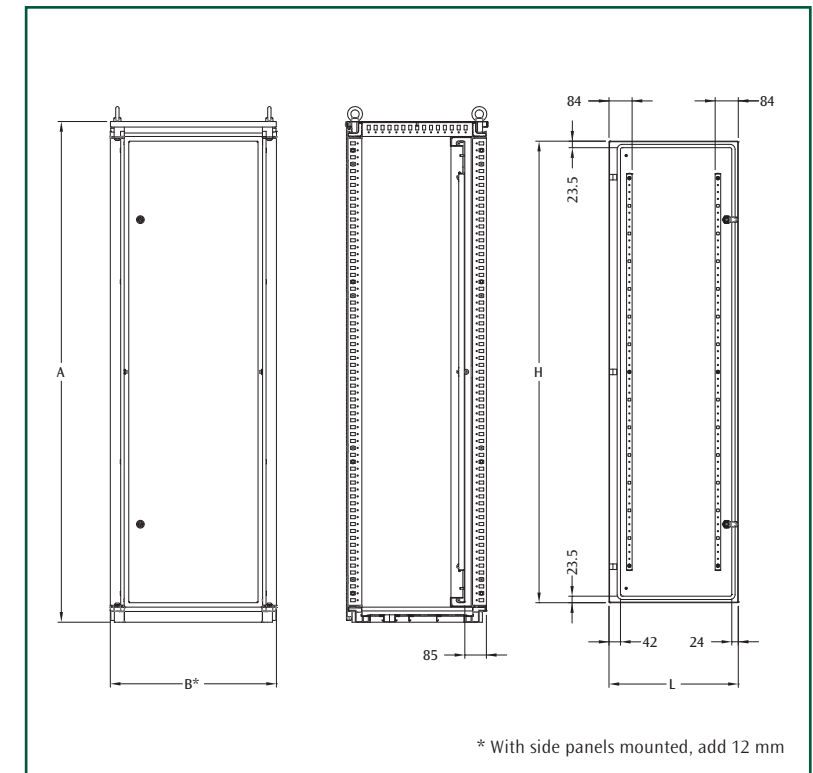
SUPPLY

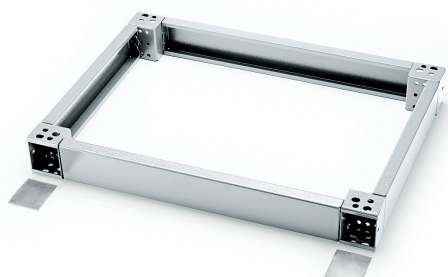
- door complete with ø 3 mm double bar locking system
- hinges
- vertical uprights and horizontal rails
- mounting accessories.

INNER DOOR

EUPIX CODE	CABINET DIM.		INNER DOOR	
	B*	A	L	H
EUPIX-060180	600	1809	467	1667
EUPIX-060200	600	2009	467	1867
EUPIX-080180	800	1809	667	1667
EUPIX-080200	800	2009	667	1867
EUPIX-100180	1000	1809	867	1667
EUPIX-100200	1000	2009	867	1867

Note: To order the item in high grade AISI 316L, add the suffix "H" to the code. (i.e.: EUPIX-060180H).





MODULAR PLINTH EUZX

CHARACTERISTICS

Corner pieces manufactured from AISI 304L stainless steel (AISI 316L on request), with front covers made from stainless steel. Front/side crosspieces manufactured from AISI 304L stainless steel (AISI 316L on request).

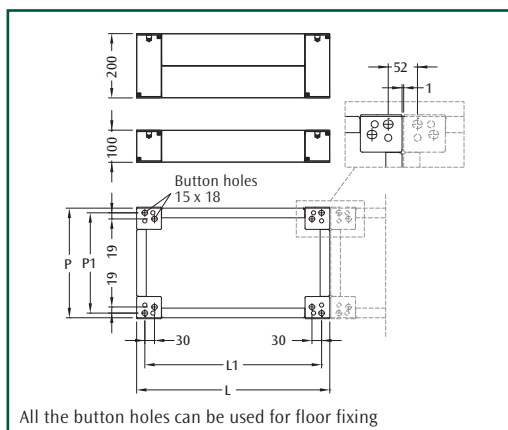
SUPPLY

The modular plinth is made up of:

- corner pieces: supply includes 4 pieces complete with front covers and mounting hardware
- front/rear crosspieces: supply includes 2 pieces
- side crosspieces: supply includes 2 pieces.

Note: to order the item in high grade AISI316L, add the suffix "H" to the code (i.e. EUZX-T0400H).

Note: to order the plinth H=200, add the suffix D to the code (i.e. EUZX-T0400D).



DIMENSIONAL SPECIFICATIONS					
CABINET DIM.		PLINTH DIM.		CENT. DISTANCES	
W	D	L	P	L1	P1
600	400	600	378	549	349
600	500	600	478	549	449
600	600	600	578	549	549
800	400	800	378	749	349
800	500	800	478	749	449
800	600	800	578	749	549
1000	500	1000	478	949	449
1000	600	1000	578	949	549
1200	400	1200	378	1149	349
1200	500	1200	478	1149	449
1200	600	1200	578	1149	549

UNIVERSAL CORNER PIECES	
EUZX CODE	DESCRIPTION
EUZX-A100	CORNER PIECES FOR PLINTH H=100
EUZX-A200	CORNER PIECES FOR PLINTH H=200

UNIVERSAL FRONT/SIDE CROSSPIECES		
EUZX CODE	DESCRIPTION	CROSS. LENGTH MM
EUZX-T0400	FRONT/SIDE CROSSPIECES FOR PLINTH W=400	244
EUZX-T0500	FRONT/SIDE CROSSPIECES FOR PLINTH W=500	344
EUZX-T0600	FRONT/SIDE CROSSPIECES FOR PLINTH W=600	444
EUZX-T0800	FRONT/SIDE CROSSPIECES FOR PLINTH W=800	644
EUZX-T1000	FRONT/SIDE CROSSPIECES FOR PLINTH W=1000	844
EUZX-T1200	FRONT/SIDE CROSSPIECES FOR PLINTH W=1200	1044



PLINTH EUZX

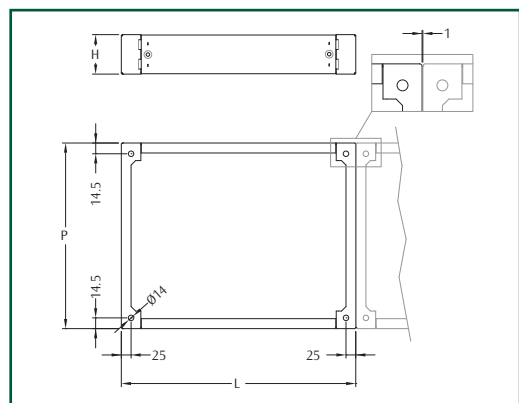
CHARACTERISTICS

Front crosspieces and side crosspieces with integrated corners manufactured from 2.0 mm thick AISI 304L stainless steel (AISI 316L on request).

SUPPLY

The plinth is made up of:

- front crosspieces: supply includes 2 pieces
- side crosspieces with integrated corners: supply includes 2 pieces with mounting screws.



Note: see dimensional specifications above.

Note: to order the plinth H=200mm, order 2 packages of front crosspieces (i.e. Plinth H=200 mm dim. 800x500: 1 x EUZX-P0500D + 2 x EUZX-L0800).

SIDE CROSSPIECES WITH INTEGRATED CORNERS		
EUZX CODE	DESCRIPTION	CROSS. H. MM
EUZX-P0400	SIDE CROSSPIECES WITH INTEGRATED CORNERS FOR PLINTH D=400	100
EUZX-P0500	SIDE CROSSPIECES WITH INTEGRATED CORNERS FOR PLINTH D=500	100
EUZX-P0600	SIDE CROSSPIECES WITH INTEGRATED CORNERS FOR PLINTH D=600	100

FRONT CROSSPIECES E NUX		
EUZX CODE	DESCRIPTION	CROSS. H. MM
EUZX-L0600	FRONT. CROSSPIECES FOR PLINTH W=600	100
EUZX-L0800	FRONT. CROSSPIECES FOR PLINTH W=800	100
EUZX-L1000	FRONT. CROSSPIECES FOR PLINTH W=1000	100
EUZX-L1200	FRONT. CROSSPIECES FOR PLINTH W=1200	100

Note: to order the item in high grade AISI316L, add the suffix "H" to the code (i.e. EUZX-P0500H).

Note: to order the side crosspieces with integrated corners H=200 mm, add the suffix "D" to the code (i.e. EUZX-P0400D).



180° CHROME HINGES EUCE-180001C

Supply includes 4 pieces (door requires machining to fit).



SHROUD FOR FILTER FANS

Installing a shroud over a filter fan and exhaust filter, the protection degree of the enclosure is maintained.

CHARACTERISTICS

Manufactured from stainless steel AISI 304L.

SUPPLY

Includes 1 piece with mounting accessories.

CONFORMITY AND APPROVAL

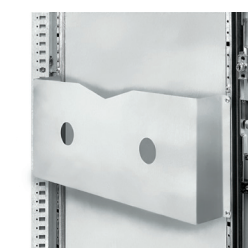


PROTECTION RATING

NEMA 3R with fan or filtering grid.

Note: punched panels to be ordered separately.

SHROUD FOR FILTER FANS		
WTCVX CODE	FAN	FILTER
WTCVX-005	WT300B/WT300VB/WI200B/WI200VB	WT330B
WTCVX-010	WT305B/WT305VB	WT335B
WTCVX-015	WT310B/WT310VB	WT340B



PLAN POCKET

Large size plan pocket manufactured from 1.5 mm thick stainless steel sheet.

SUPPLY

Includes 1 piece complete with mounting screws.

PLAN POCKET	
WTSS CODE	DOOR WIDTH
WTSS-000600X	600
WTSS-000800X	800
WTSS-001000X	1000

LEVELLING FEET WTPX-005X

They can be applied on the cabinet structure or plinth. They make easier for floor cleaning and are height adjustable.

SUPPLY

Includes 4 pieces complete with pin in AISI 304L, plastic base, plate and mounting accessories.

(See page 70 for picture).

EYEBOLTS M12 WTGS-001X

M12 lifting eyebolts manufactured from stainless steel.

Supply includes 4 pieces.

(See page 74 for picture).

LIFTING BRACKETS WTSS-001

5 mm zincpassivated sheet steel lifting brackets. Supply includes 4 pieces.

(See page 74 for picture).

JOINING KIT EUKU-002X

To be used to join two cabinets together. It is better to use lifting brackets WTSS-001 instead of lifting eyebolts.

CHARACTERISTICS

Manufactured from stainless steel AISI 316L.

SUPPLY

Includes union spacers, fixing accessories and gasket to guarantee IP protection degree.

(See page 73 for drawing).

REINFORCING BRACKETS EUKU-003

To be used to grant more rigidity to cabinets joined in a suite.

CHARACTERISTICS

Manufactured from 4.0 mm thick zincpassivated sheet steel.

SUPPLY

Includes 4 pieces with mounting accessories.

(See page 72 for drawing).



CHARACTERISTICS

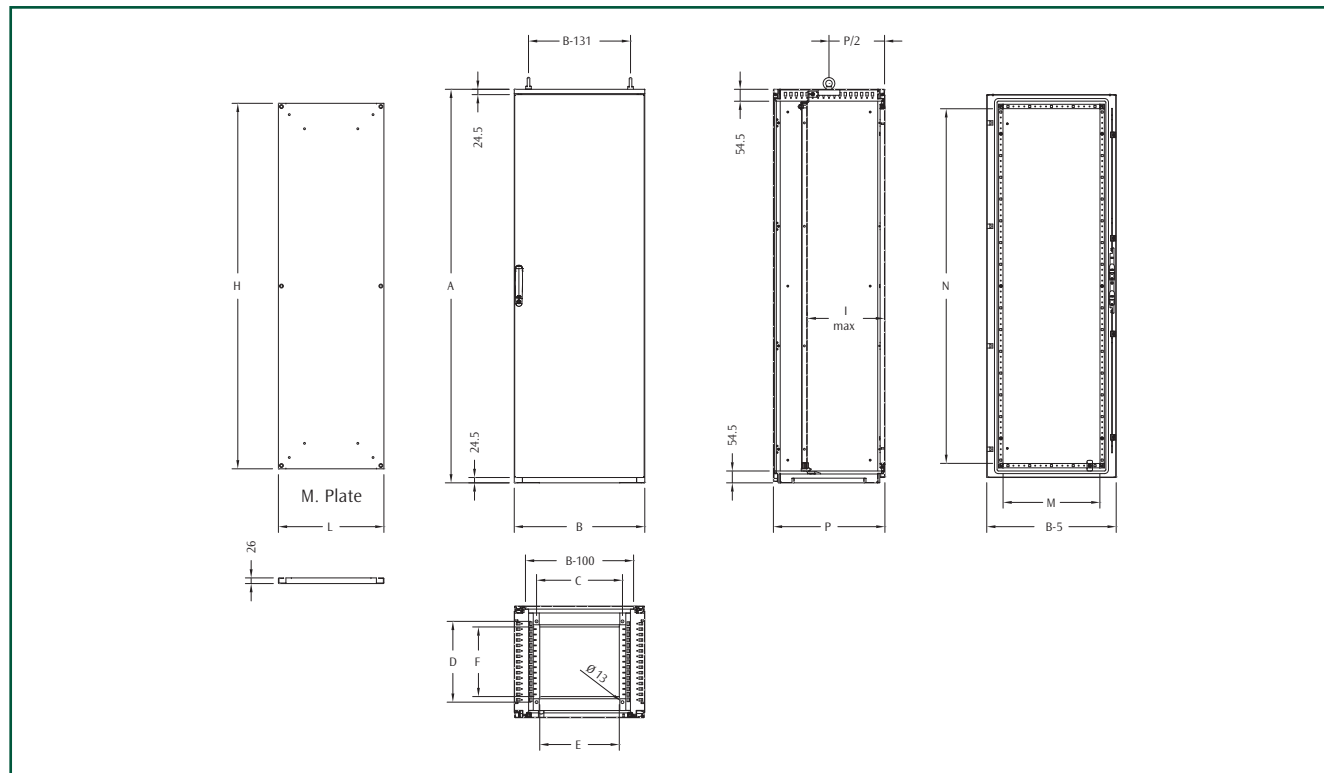
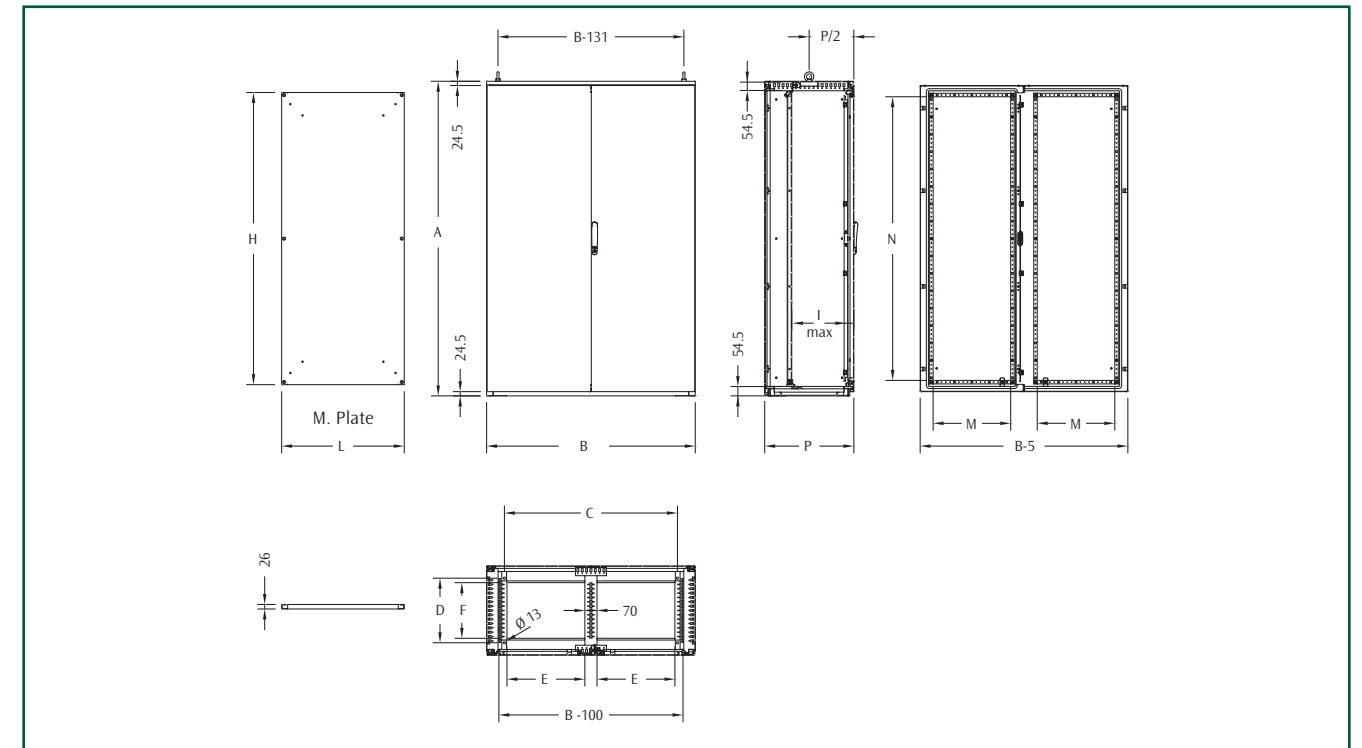
Structure manufactured from 1.5 mm thick AISI304L stainless steel sheet with removable rear panel (AISI 316L on request). Door manufactured from AISI304L stainless steel sheet with stiffening frame (AISI 316L on request). Front inserted mounting plate manufactured from 2.5 mm thick sendzimir sheet steel (for E MOX W≥1000mm, EUPA mounting plate 3 mm thick). Hinges in AISI316L stainless steel.

SUPPLY

- cabinet structure with upper aesthetic profiles and rear panel
- door with formed corners complete with \varnothing 3 mm lever-operated double bar locking system, silicone seal and tubular stiffening frame
- modular and adjustable cable entry with sealing gasket
- front-inserted mounting plate.

PROTECTION RATING

- IP66 complying with IEC EN62208; EN60529
- NEMA 12 complying with UL508A; UL50
- protection degree guaranteed by the two-component silicone foam seal
- impact resistance IK10 complying with IEC EN62208; EN62202.



Stainless steel

Stainless steel

E MOX STAINLESS STEEL WITH SINGLE BLANK DOOR

E MOX CODE	CABINET DIMENSIONS			FLOOR FIXING		CABLE ENTRY		DOOR SPACE		MOUNTING PLATE DIM.		
	B	A	P	C	D	E	F	M	N	L	H	I
EMOX-061604PRX	600	1609	414	550	310	365	220	445	1430	485	1480	350
EMOX-061804PRX	600	1809	414	550	310	365	220	445	1630	485	1680	350
EMOX-061805PRX	600	1809	514	550	410	365	320	445	1630	485	1680	450
EMOX-062004PRX	600	2009	414	550	310	365	220	445	1830	485	1880	350
EMOX-062005PRX	600	2009	514	550	410	365	320	445	1830	485	1880	450
EMOX-081604PRX	800	1609	414	750	310	565	220	645	1430	685	1480	350
EMOX-081804PRX	800	1809	414	750	310	565	220	645	1630	685	1680	350
EMOX-081805PRX	800	1809	514	750	410	565	320	645	1630	685	1680	450
EMOX-082004PRX	800	2009	414	750	310	565	220	645	1830	685	1880	350
EMOX-082005PRX	800	2009	514	750	410	565	320	645	1830	685	1880	450
EMOX-101804PRX	1000	1809	414	950	310	765	220	845	1630	885	1680	350
EMOX-102004PRX	1000	2009	414	950	310	765	220	845	1830	885	1880	350

Note: to order the item in high grade AISI 316L, add the suffix "H" to the code. (i.e.: EMOX-061604PRXH).

E MOX STAINLESS STEEL WITH DOUBLE BLANK DOOR

E MOX CODE	CABINET DIMENSIONS			FLOOR FIXING		CABLE ENTRY		DOOR SPACE		MOUNTING PLATE DIM.		
	B	A	P	C	D	E	F	M	N	L	H	I
EMOX-121804PRX	1200	1809	414	995	310	447	220	445	1630	1085	1680	350
EMOX-121805PRX	1200	1809	514	995	410	447	320	445	1630	1085	1680	450
EMOX-122004PRX	1200	1809	414	995	310	447	220	445	1830	1085	1880	350

Note: to order the item in high grade AISI 316L, add the suffix "H" to the code. (i.e.: EMOX-121804PRXH).



CHARACTERISTICS

Structure manufactured from 1.5 mm thick AISI304L stainless steel sheet (AISI 316L on request). Door manufactured from 1.5 mm thick AISI304L stainless steel sheet (AISI316L on request). Front inserted mounting plate manufactured from 2.5 mm thick sendzimir sheet steel.

SUPPLY

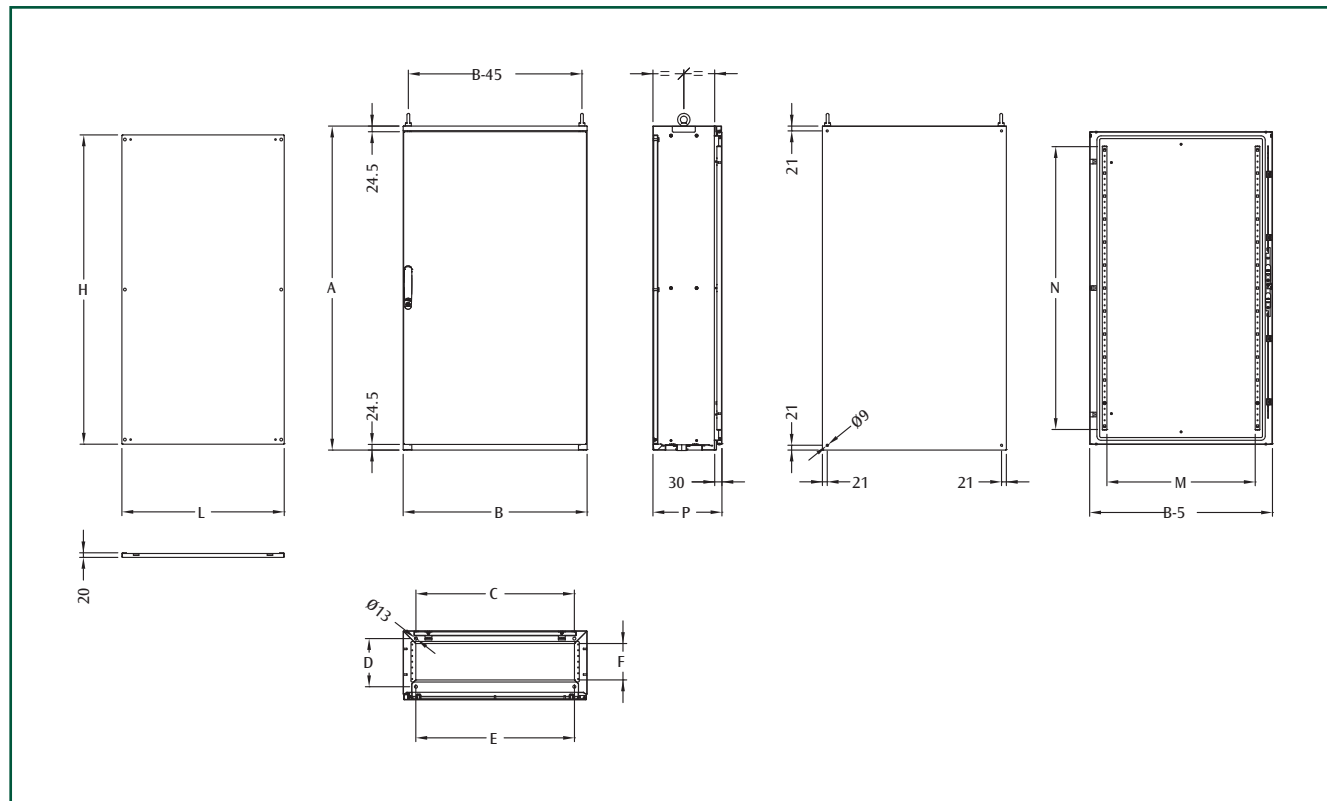
Enclosure complete with:

- door with formed corners complete with \varnothing 3 mm lever-operated double bar locking system, 2 stiffening sendzimir profiles and silicone seal
- adjustable cable entry
- front inserted mounting plate.

PROTECTION RATING

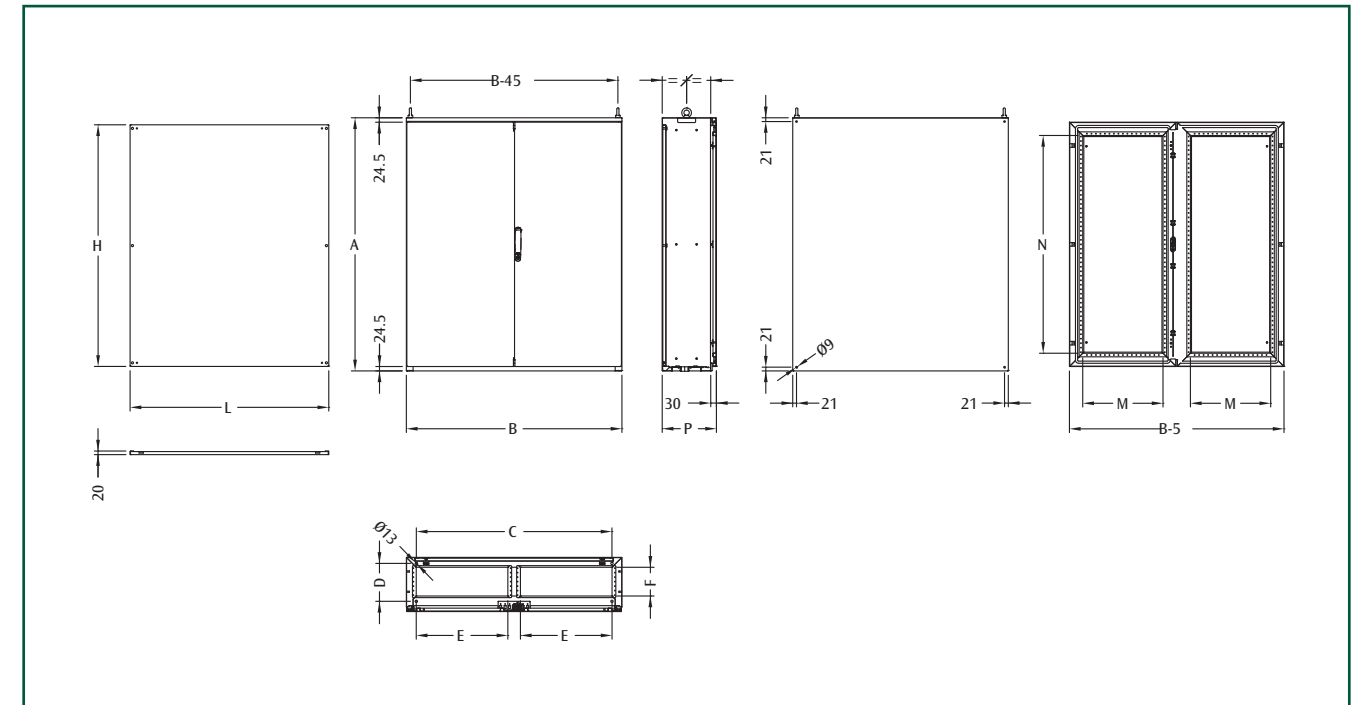
- IP55 complying with IEC EN62208; EN60529
- NEMA 12 complying with UL508A; UL50
- protection degree guaranteed by the two-component silicone foam seal
- impact resistance IK10 complying with IEC EN62208; EN62202.

Note: available on request.



E COMP STAINLESS STEEL WITH SINGLE DOOR											
E COMP CODE	CABINET DIMENSIONS			FLOOR FIXING		CABLE ENTRY		DOOR SPACE		MOUNT. PLATE DIM.	
	B	A	P	C	D	E	F	M	N	L	H
ECOMP6-1240X	600	1209	400	550	320	490	260	445	1030	506	1145
ECOMP6-1430X	600	1409	300	550	220	490	160	445	1230	506	1345
ECOMP6-1440X	600	1409	400	550	320	490	260	445	1230	506	1345
ECOMP8-1240X	800	1209	400	750	320	690	260	645	1030	706	1145
ECOMP8-1430X	800	1409	300	750	220	690	160	645	1230	706	1345
ECOMP8-1440X	800	1409	400	750	320	690	260	645	1230	706	1345

Note: to order the item in high grade AISI 316L, add the suffix "H" to the code. (i.e.: ECOMP6-1240XH).



E COMP STAINLESS STEEL WITH DOUBLE DOOR											
E COMP CODE	CABINET DIMENSIONS			FLOOR FIXING		CABLE ENTRY		DOOR SPACE		MOUNT. PLATE DIM.	
	B	A	P	C	D	E	F	M	N	L	H
ECOMP10-1240X	1000	1209	400	950	320	390	260	345	1030	906	1145
ECOMP10-1430X	1000	1409	300	950	220	390	160	345	1230	906	1345
ECOMP10-1440X	1000	1409	400	950	320	390	260	345	1230	906	1345
ECOMP12-1240X	1200	1209	400	1150	320	490	260	345	1030	1106	1145
ECOMP12-1430X	1200	1409	300	1150	220	490	160	445	1230	1106	1345
ECOMP12-1440X	1200	1409	400	1150	320	490	260	445	1230	1106	1345

Note: to order the item in high grade AISI 316L, add the suffix "H" to the code. (i.e.: ECOMP10-1240XH).

PLINTH EUZX

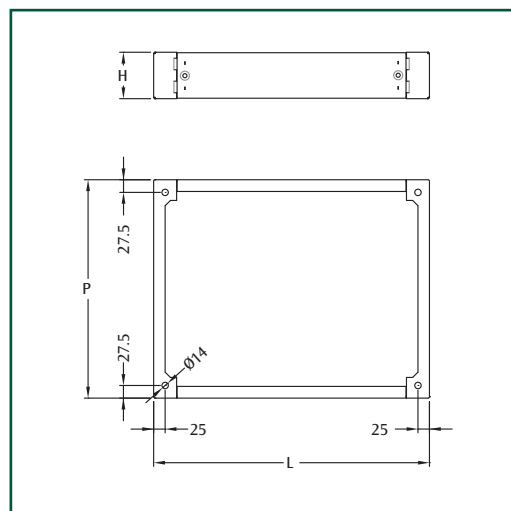
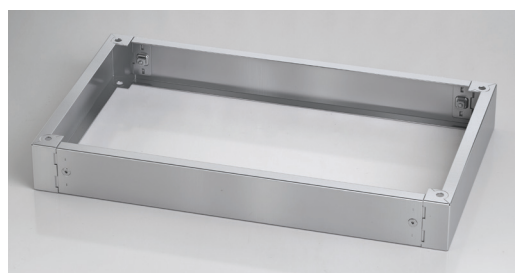
CHARACTERISTICS

Front crosspieces and side crosspieces with integrated corners manufactured from 2.0 mm thick AISI 304L stainless steel (AISI 316L on request).

SUPPLY

The plinth is made up of:

- front crosspieces: supply includes 2 pieces
- side crosspieces with integrated corners: supply includes 2 pieces with mounting screws.



DIMENSIONAL SPECIFICATIONS				
CABINET DIMENSIONS		PLINTH DIM.		
WIDTH	DEPTH	L	P	
600	400	600	365	
600	500	600	465	
800	400	800	365	
800	500	800	465	
1000	400	1000	365	
1000	500	1000	465	
1200	400	1200	365	
1200	500	1200	465	

FRONT CROSSPIECES E MOX	
EUZX CODE	DESCRIPTION
EUZX-L0600M	FRONT. CROSSPIECES FOR PLINTH W=600
EUZX-L0800M	FRONT. CROSSPIECES FOR PLINTH W=800
EUZX-L1000M	FRONT. CROSSPIECES FOR PLINTH W=1000
EUZX-L1200M	FRONT. CROSSPIECES FOR PLINTH W=1200

Note: to order the plinth H=200mm, order 2 packages of front crosspieces (i.e. Plinth H=200 mm dim. 800 x500: 1 x EUZX-P0500MD + 2 x EUZX-L0800M).

Note: to order the item in higher grade AISI316L, add the suffix "H" to the code (i.e. EUZX-P0500MH).

SIDE CROSSPIECES WITH INTEGRATED CORNERS E MOX		
EUZX CODE	DESCRIPTION	CROSS. HEIGHT MM
EUZX-P0400M	SIDE CROSSPIECES WITH INTEGRATED CORNERS FOR PLINTH D=400	100
EUZX-P0400MD	SIDE CROSSPIECES WITH INTEGRATED CORNERS FOR PLINTH D=400	200
EUZX-P0500M	SIDE CROSSPIECES WITH INTEGRATED CORNERS FOR PLINTH D=500	100
EUZX-P0500MD	SIDE CROSSPIECES WITH INTEGRATED CORNERS FOR PLINTH D=500	200

DIMENSIONAL SPECIFICATIONS			
CABINET DIMENSIONS		PLINTH DIM.	
WIDTH	DEPTH	L	P
600	300	600	275
600	400	600	375
800	300	800	275
800	400	800	375
1000	300	1000	275
1000	400	1000	375
1200	300	1200	275
1200	400	1200	375

FRONT CROSSPIECES E COMP	
EUZX CODE	DESCRIPTION
EUZX-L0600M	FRONT. CROSSPIECES FOR PLINTH W=600
EUZX-L0800M	FRONT. CROSSPIECES FOR PLINTH W=800
EUZX-L1000M	FRONT. CROSSPIECES FOR PLINTH W=1000
EUZX-L1200M	FRONT. CROSSPIECES FOR PLINTH W=1200

Note: to order the plinth H=200 mm, order 2 packages of front crosspieces (i.e. Plinth H=200 mm dim. 600x400: 1 x EUZX-P0400PD + 2 x EUZX-L0600M).

Note: to order the item in higher grade AISI316L, add the suffix "H" to the code (i.e. EUZX-P0500PH).

SIDE CROSSPIECES WITH INTEGRATED CORNERS E COMP		
EUZX CODE	DESCRIPTION	CROSS. HEIGHT MM
EUZX-P0300P	SIDE CROSSPIECES WITH INTEGRATED CORNERS FOR PLINTH D=300	100
EUZX-P0300PD	SIDE CROSSPIECES WITH INTEGRATED CORNERS FOR PLINTH D=300	200
EUZX-P0400P	SIDE CROSSPIECES WITH INTEGRATED CORNERS FOR PLINTH D=400	100
EUZX-P0400PD	SIDE CROSSPIECES WITH INTEGRATED CORNERS FOR PLINTH D=400	200



180° HINGES EUCE-180008X
 Chrome hinges for 180° opening (door requires machining to fit).
SUPPLY
 Includes 3 pieces with mounting screws.



EYEBOLTS WTGS-003
 Zincpassivated M12 lifting eyebolts.
SUPPLY
 Includes 2 pieces with nuts and washers.

e mox
STAINLESS STEEL

COMPATIBILITY WITH E NUX SYSTEM AND ETA ACCESSORIES:

- vertical uprights EUMI, see page 99
- rails WTPR H=50 mm
- microswitch W1100
- further ETA accessories for the inner mounting.

e comp
STAINLESS STEEL

WALL MOUNTING BRACKETS SDWCX-010
 Manufactured from 2.5 mm thick AISI 316L stainless steel.

SUPPLY
 Includes 4 pieces.

FURTHER ACCESSORIES

- vertical rails, see page 108
- fast-fixing brackets WTPR-R, see page 108
- sliding rails CSPP, see page 108.

Stainless steel

Stainless steel



CHARACTERISTICS

Enclosure and door with formed corners manufactured from 1.5 mm thick pre-satinized AISI 304L stainless steel sheet (AISI 316L on request). Flat mounting plate manufactured from 2.5 mm thick sendzimir sheet steel with slots in the corners. Hinges in stainless steel.

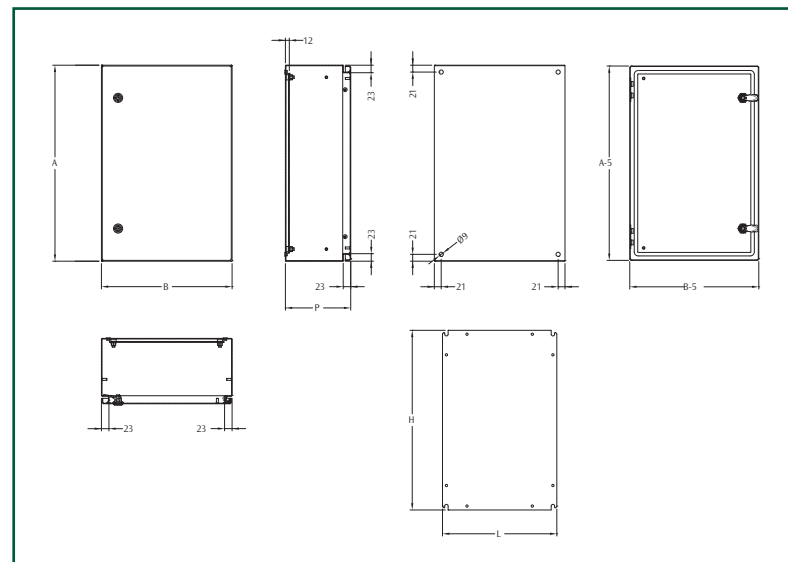
SUPPLY

- Box complete with:
- mounting plate
 - door with locking system body in chromed zinc alloy and lever in stainless steel with \varnothing 3 mm double bar key, and silicone seal
 - package with screws for earth connection and mounting plate.

PROTECTION RATING

- IP66 complying with IEC EN62208; EN60529
- NEMA 4X complying with UL508A; UL50
- protection degree guaranteed by the two-component silicone foam seal*
- impact resistance IK10 complying with IEC EN62208; EN62202.

* From size 600x800, box supplied with door rails already mounted.



CHARACTERISTICS

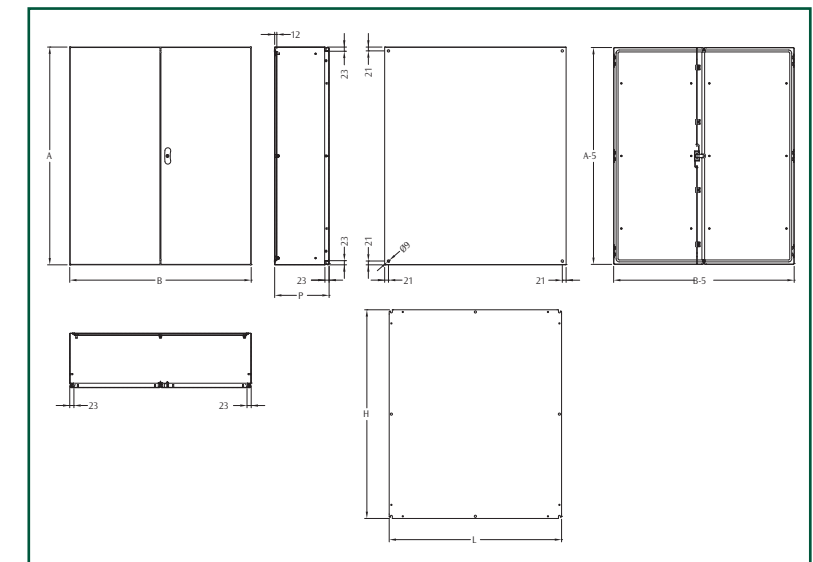
Enclosure and door with formed corners manufactured from 1.5 mm thick pre-satinized AISI 304L stainless steel sheet (AISI 316L on request). Flat mounting plate manufactured from 2.5 mm thick sendzimir sheet steel provided with slots in the corners. Hinges in stainless steel.

SUPPLY

- Box complete with:
- mounting plate
 - door complete with \varnothing 3 mm double bar locking system and stainless steel lever
 - package with screws for earth connection and mounting plate.

PROTECTION RATING

- IP66 complying with IEC EN62208; EN60529
- NEMA 12 complying with UL508A; UL50
- protection degree guaranteed by the two-component silicone foam seal
- impact resistance IK10 complying with IEC EN62208; EN62202.



STAINLESS STEEL BOX WITH SINGLE BLANK DOOR						
E COR CODE	BOX DIMENSIONS			MOUNTING PLATE DIM.		NO. OF LOCKS / TYPE
	B	A	P	L	H	
ECOR2-315X	200	300	150	150	250	1
ECOR3-315X	300	300	150	300	300	1
ECOR3-415X	300	400	150	250	350	1
ECOR3-420X	300	400	200	250	350	1
ECOR4-315X	400	300	150	350	250	1
ECOR4-420X	400	400	200	350	350	1
ECOR4-425X	400	400	250	400	400	1
ECOR4-520X	400	500	200	350	450	1
ECOR4-620X	400	600	200	350	550	2
ECOR4-625X	400	600	250	400	600	2
ECOR5-520X	500	500	200	450	450	1
ECOR5-525X	500	500	250	500	500	1
ECOR5-720X	500	700	200	500	700	2
ECOR5-725X	500	700	250	450	650	2
ECOR6-420X	600	400	200	550	350	1
ECOR6-620X	600	600	200	550	550	2
ECOR6-625X	600	600	250	550	550	2
ECOR6-630X	600	600	300	550	550	2
ECOR6-820X	600	800	200	550	750	2
ECOR6-825X	600	800	250	550	750	2
ECOR6-830X	600	800	300	550	750	2
ECOR6-1230X	600	1200	300	550	1150	ROD SYSTEM
ECOR8-830X	800	800	300	750	750	2
ECOR8-1030X	800	1000	300	750	950	2
ECOR8-1230X	800	1200	300	750	1150	ROD SYSTEM

Note: to order the item in high grade AISI 316L, add the suffix "H" to the code. (i.e.: ECOR2-315XH).

STAINLESS STEEL BOX WITH DOUBLE BLANK DOOR					
E COR CODE	BOX DIMENSIONS			MOUNTING PLATE DIMENSIONS	
	B	A	P	L	H
ECOR10-1030X	1000	1000	300	950	950
ECOR10-1230X	1000	1200	300	950	1150

Note: to order the item in high grade AISI 316L, add the suffix "H" to the code. (i.e.: ECOR10-1030XH).



The requirements of the enclosures that are intended to be used in explosive atmosphere (ATEX) are high: the wide range of E COR - EEX boxes fully responds to both the standard required by the directive and the need of the market to have a product for increased safety.

CHARACTERISTICS

Structure and door with formed corners manufactured from 1.5 mm thick pre-satinized AISI304L stainless steel sheet (AISI316L on request). Flat mounting plate manufactured from 2.5 mm thick sendzimir sheet steel, with slots in the corners. Hinges in stainless steel. External anti-rotation and anti-slip stud M6 (H=15 mm) in AISI304L stainless steel, welded on the enclosure.

SUPPLY

Enclosure complete with:

- mounting plate
- door with locking system body in zinc alloy and lever in stainless steel with \varnothing 3 mm double bar key
- package with screws for earth connection and mounting plate.

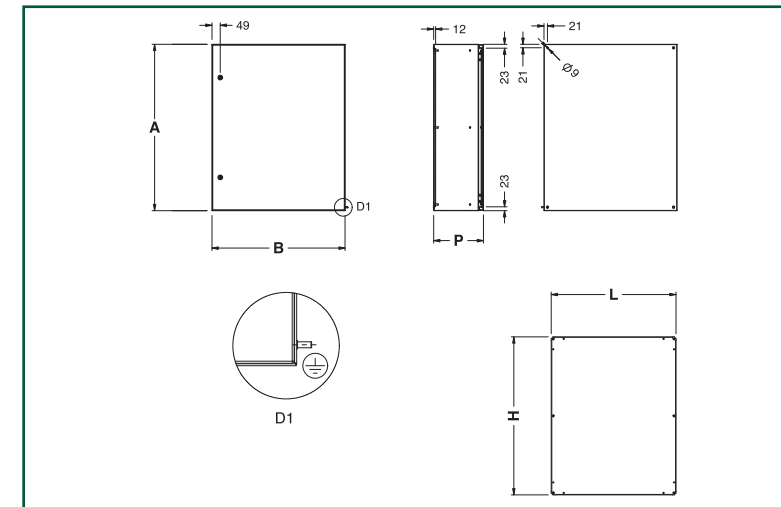
PROTECTION RATING

- IP66 complying with IEC EN62208; EN60529
- NEMA 4X complying with UL508A; UL50
- protection degree guaranteed by the two-component silicone foam seal
- impact resistance IK10 complying with IEC EN62208; EN62202.

CONFORMITY

- Ex II 2GD
- Ex e II T6
- Ex td A21 T85°C.

ETA wall-mounting stainless steel boxes E COR (see page 218) are in compliance with the European Directive 94/9/CE that aims to ensure the free circulation in the EU countries for the products concerned and it is applied to the equipment and protective systems indeed to be used in potentially explosive atmosphere (ATEX), for the presence of flammable substances in the form of gases, vapours, mists or dusts. According to the reference standards EN60079-0; 7 and EN61241-0; 1, boxes E COR - EEX are "electric enclosures" classified for category II and zones 1, 2, 21, 22 for gas and dust (GD) with protection method EX-e, EX-ia. EX-e protection methods are based on the idea of prevention; to comply with that the directive establishes a high structural level and restrictive features of equipments and components, and strict periodic tests of process on the approved products UNI EN13980 and ISO 9001.



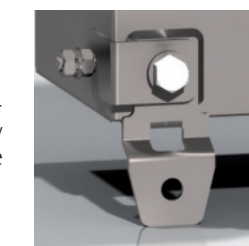
ELECTRIC ENCLOSURES

E COR - EEX CODE	BOX DIMENSIONS			MOUNT. PLATE DIM.		NO. OF LOCKS / TYPE
	B	A	P	L	H	
ECOR2-315EEX	200	300	150	150	250	1
ECOR3-415EEX	300	400	150	250	350	1
ECOR3-420EEX	300	400	200	250	350	1
ECOR4-315EEX	400	300	150	350	250	1
ECOR4-420EEX	400	400	200	350	350	1
ECOR4-520EEX	400	500	200	350	450	1
ECOR4-620EEX	400	600	200	350	550	2
ECOR5-520EEX	500	500	200	450	450	1
ECOR5-725EEX	500	700	250	450	750	2
ECOR6-420EEX	600	400	200	550	350	1
ECOR6-620EEX	600	600	200	550	550	2
ECOR6-625EEX	600	600	250	550	550	2
ECOR6-630EEX	600	600	300	550	550	2
ECOR6-820EEX	600	800	200	550	750	2
ECOR6-825EEX	600	800	250	550	750	2
ECOR6-830EEX	600	800	300	550	750	2
ECOR6-1230EEX	600	1200	300	550	1150	ROD SYSTEM
ECOR8-830EEX	800	800	300	750	750	2
ECOR8-1030EEX	800	1000	300	750	950	2
ECOR8-1230EEX	800	1200	300	750	1150	ROD SYSTEM

Note: to order the item in high grade AISI 316L, add the suffix "H" to the code. (i.e.: ECOR6-830EEXH).

**WALL MOUNTING BRACKETS
SDWCX-010EEX**

Special brackets designed for the standard wall-mounting stainless steel boxes E COR, that are already installed on-site and that are requiring compliance with ATEX with increased and intrinsic safety.



CHARACTERISTICS

Manufactured from 2.5 mm thick AISI316L stainless steel sheet.

SUPPLY

Includes 4 standard brackets + 1 bracket with external and welded stud M6.

Note: item available on request.



* Product ATEX: Contact the ETA commercial office for boxes with tempered glass



CHARACTERISTICS

Enclosure manufactured from 1.5 mm thick pre-tatinized AISI 304L stainless steel sheet (AISI 316L on request). Plexi door with formed corners, silicone seal and 4.0 mm thick plexiglass (fixed with a frame). Flat mounting plate manufactured from 2.5 mm thick sendzimir sheet steel with slots in the corners. Hinges in stainless steel.

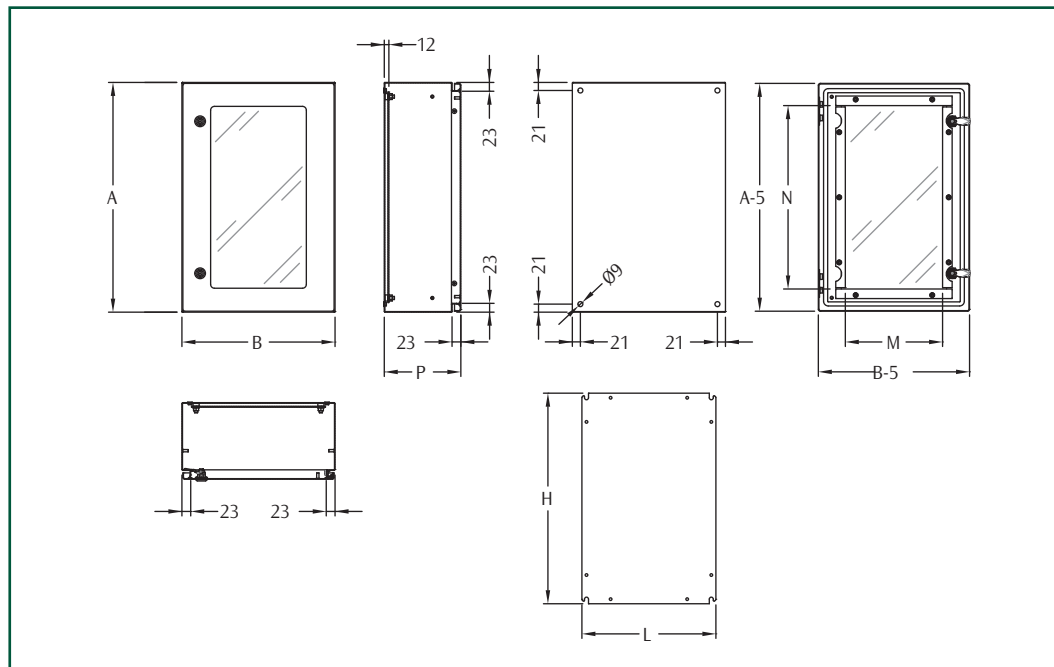
SUPPLY

- Box complete with:
- mounting plate
 - door with locking system body in zinc alloy and lever in stainless steel with \varnothing 3 mm double bar key, and silicone seal
 - package with screws for earth connection and mounting plate.

PROTECTION RATING

- IP66 complying with IEC EN62208; EN60529
- NEMA 12 complying with UL508A; UL50
- protection degree guaranteed by the two-component silicone foam seal.
- impact resistance IK10 complying with IEC EN62208; EN62202.

Note: product ATEX: contact the ETA commercial office for E COR boxes with tempered glass



STAINLESS STEEL BOX WITH PLEXI DOOR								
E COR CODE	BOX DIMENSIONS			DOOR SPACE		MOUNTING PLATE DIM.		NUMBER OF LOCKS
	B	A	P	M	N	L	H	
ECOR3-420PVX	300	400	200	150	275	250	350	1
ECOR4-520PVX	400	500	200	250	375	350	450	1
ECOR4-620PVX	400	600	200	250	475	350	550	2
ECOR5-725PVX	500	700	250	350	575	450	650	2
ECOR6-820PVX	600	800	200	450	675	550	750	2
ECOR6-825PVX	600	800	250	450	675	550	750	2
ECOR8-1030PVX	600	800	250	450	675	550	750	2

Note: to order the item in high grade AISI 316L, add the suffix "H" to the code. (i.e.: ECOR4-620PVXH).

FUNCTIONAL FRAME ECMI

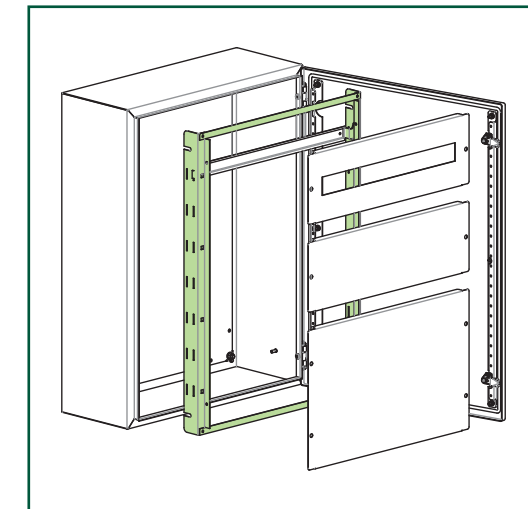
CHARACTERISTICS

Internal frame for the assembly of modular panels and DIN rails. Manufactured from 1.5 mm thick stainless steel sheet AISI304L (on request AISI316L).

SUPPLY

Includes 1 piece with mounting accessories.

* For boxes with D=150 mm, the functional frame is not used



FUNCTIONAL FRAME			
ECMI CODE	DIMENSIONS		DESCRIPTION
	WIDTH	HEIGHT	
ECMI-040060X	400	600	3 rows for 14 DIN modules
ECMI-060080X	600	800	4 rows for 14 DIN modules
ECMI-080100X	800	1000	5 rows for 14 DIN modules

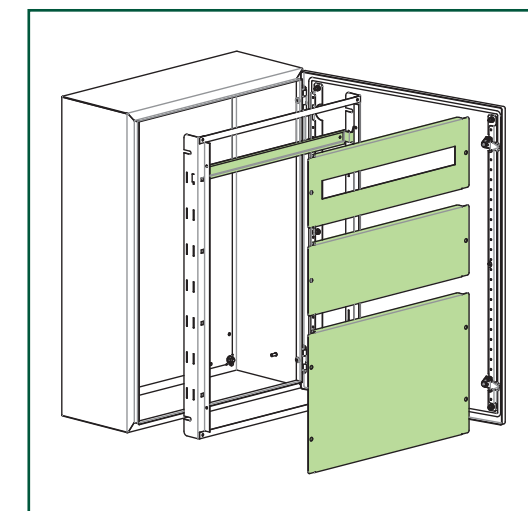
MODULAR PANELS ECPM/ECAV

CHARACTERISTICS

Modular panels manufactured from 1.5 mm thick stainless steel sheet AISI304L (AISI 316L on request). Available in blank version or for DIN rail, they can be easily mounted on E COR boxes using the functional frame ECMI.

SUPPLY

Includes 1 piece with mounting accessories (ECPM panel including 2 brackets and DIN rail).



MODULAR PANELS FOR DIN RAILS*			
ECPM CODE	DIMENSIONS		NO. OF MODULES
	WIDTH	HEIGHT	
ECPM-040180X	400	180	14
ECPM-060180X	600	180	25
ECPM-080180X	800	180	36

* DIN rails and brackets included

MODULAR BLANK PANELS		
ECAV CODE	DIMENSIONS	
	WIDTH	HEIGHT
ECAV-040180X	400	180
ECAV-060180X	600	180
ECAV-060360X	600	360
ECAV-080180X	800	180
ECAV-080360X	800	360

DIN RAIL WITH BRACKETS		
ECDI CODE	DIMENSIONS	
	WIDTH	NO. OF MODULES
ECDI-014040	400	14
ECDI-025060	600	25
ECDI-036080	800	36

Stainless steel

Stainless steel