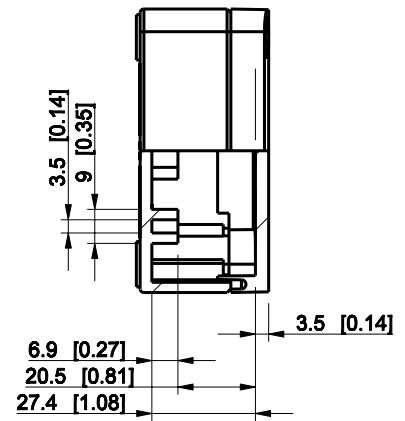
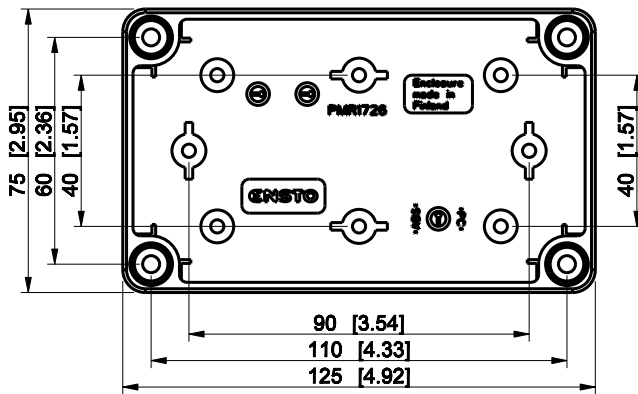
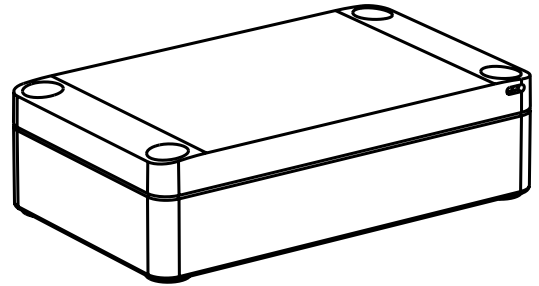
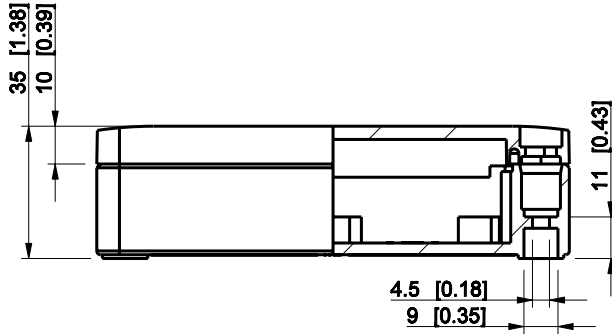


ID	Description	Date	By	Appr.
A				



Dimensions in mm [inches]

Material: ABS	Color: RAL 7035
---------------	-----------------

Supplier:	Tool No:	Weight [kg]: 0.12	Volume:
-----------	----------	-------------------	---------



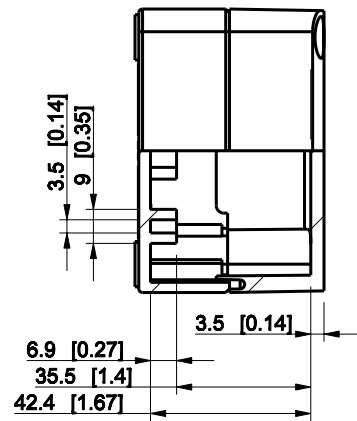
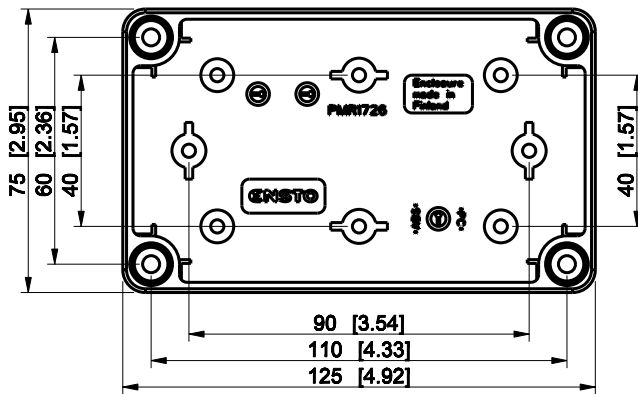
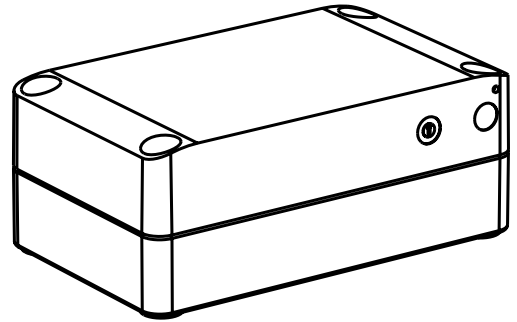
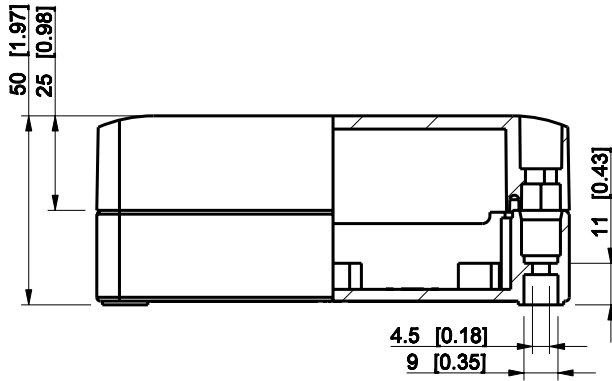
SABP081304LT

Scale	Date	04.12.08
1:2	By	PKos
-	Checked	
-	Ctrl	

Replaces:	
Replaced:	
Drw No:	- A
Ref:	Cubo S
Code:	SABP081304LT
Sheet No:	

model SABP081304LT .PART
 drawing CUBOS_3.DRAWING

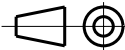
ID	Description	Date	By	Appr.
A				



Dimensions in mm [inches]

Material: ABS	Color: RAL 7035
---------------	-----------------

Supplier:	Tool No:	Weight [kg]: 0.15	Volume:
-----------	----------	-------------------	---------



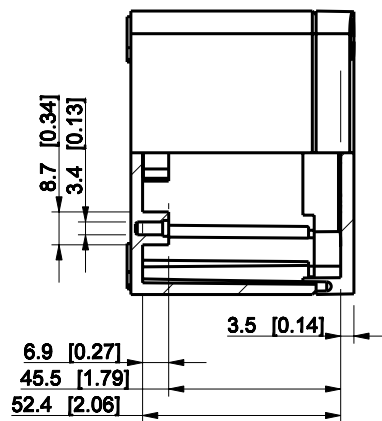
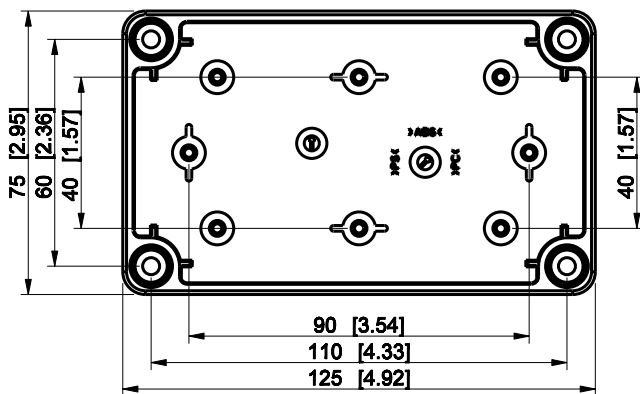
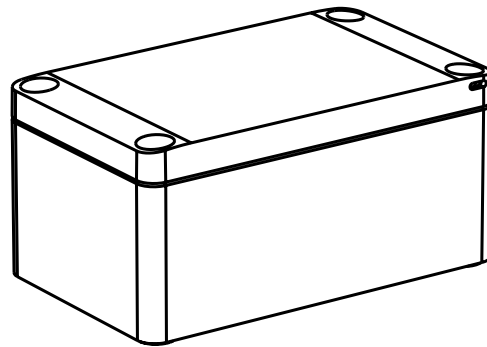
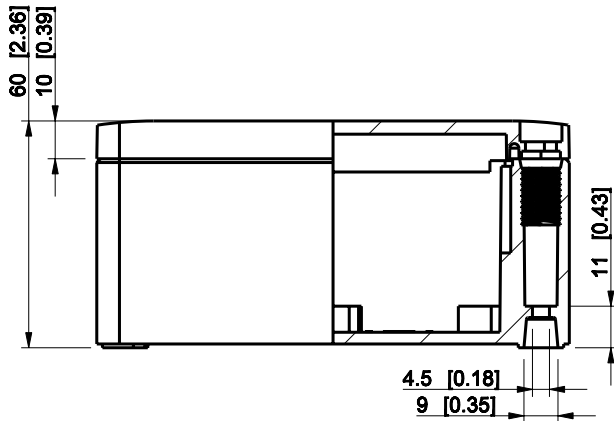
SABP081305LT

Scale	Date	04.12.08
1:2	By	PKos
-	Checked	
-	Ctrl	

Replaces:
Replaced:
Drw No: - A
Ref: Cubo S
Code: SABP081305LT
Sheet No:

model SABP081305LT .PART
 drawing CUBOS_4.DRAWING

ID	Description	Date	By	Appr.
A				

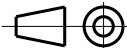


Dimensions in mm [inches]

Material: ABS	Color: RAL 7035
---------------	-----------------

Supplier:	Tool No:	Weight [kg]: 0.16	Volume:
-----------	----------	-------------------	---------

ENSTO
ENSTO CONTROL OY



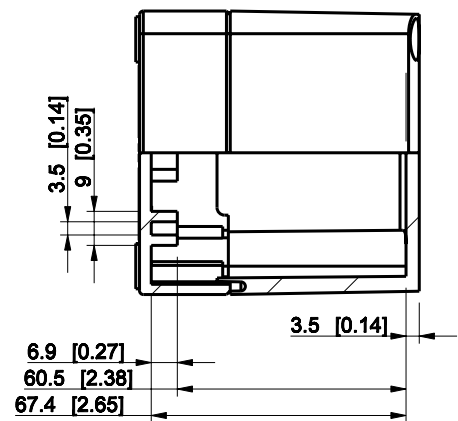
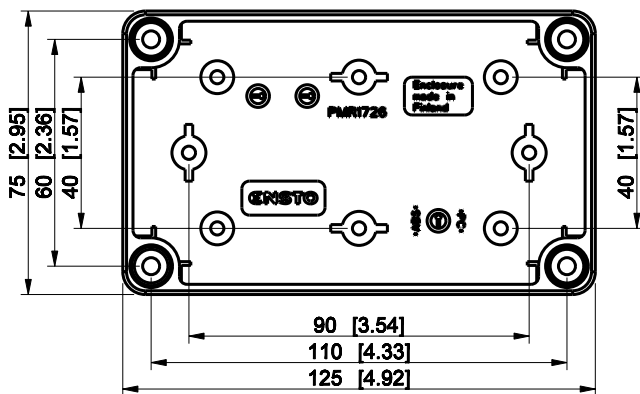
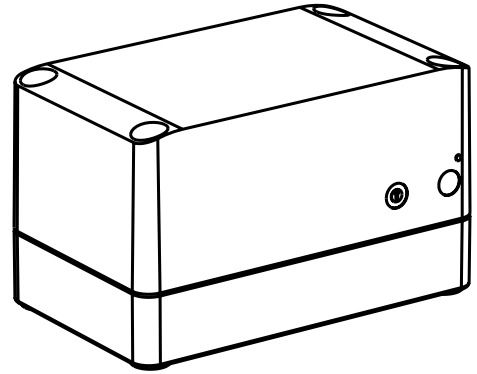
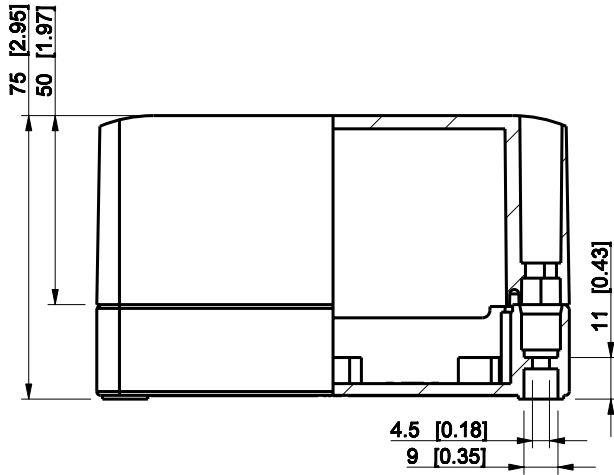
SABP081306T

Scale	Date	04.12.08
1:2	By	PKos
-	Checked	
-	Ctrl	

Replaces:
Replaced:
Drw No: - A
Ref: Cubo S
Code: SABP081306T
Sheet No:

model SABP081306T_PART
 drawing CUBOS_2_DRAWING

ID	Description	Date	By	Appr.
A				

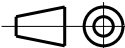


Dimensions in mm [inches]

Material: ABS	Color: RAL 7035
---------------	-----------------

Supplier:	Tool No:	Weight [kg]: 0.20	Volume:
-----------	----------	-------------------	---------

ENSTO
ENSTO CONTROL OY



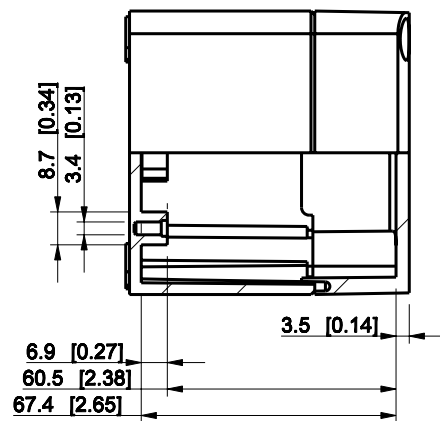
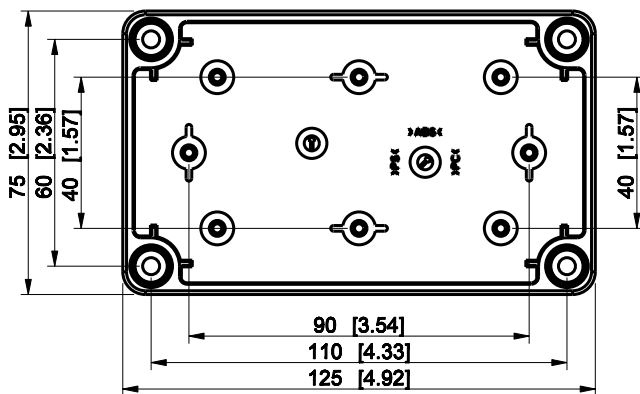
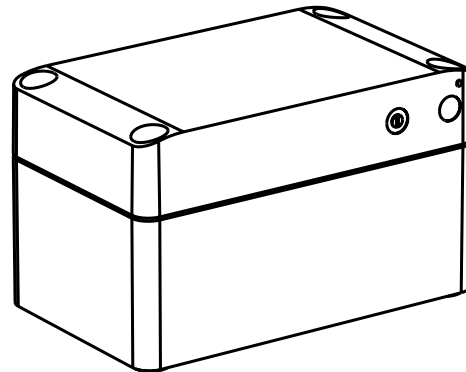
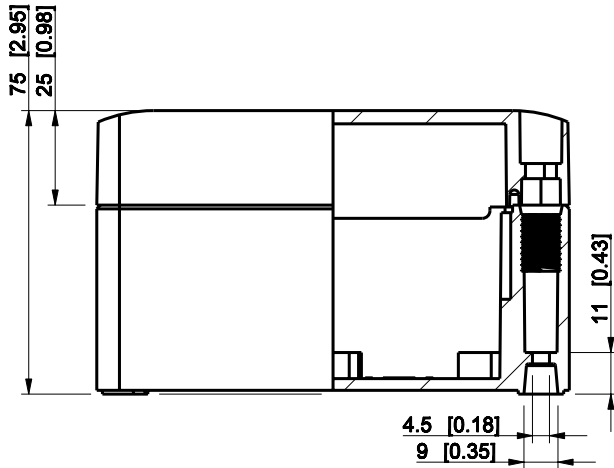
SABP081308LT

Scale	Date	04.12.08
1:2	By	PKos
-	Checked	
-	Ctrl	

Replaces:	
Replaced:	
Drw No:	- A
Ref:	Cubo S
Code:	SABP081308LT
Sheet No:	

model SABP081308LT .PART
 drawing CUBOS_4.DRAWING

ID	Description	Date	By	Appr.
A				

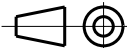


Dimensions in mm [inches]

Material: ABS	Color: RAL 7035
---------------	-----------------

Supplier:	Tool No:	Weight [kg]: 0.19	Volume:
-----------	----------	-------------------	---------

ENSTO
ENSTO CONTROL OY



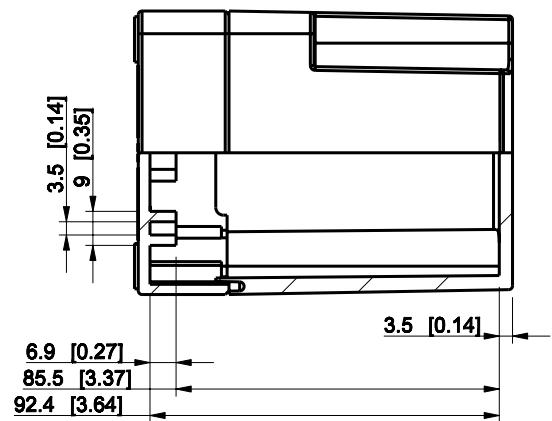
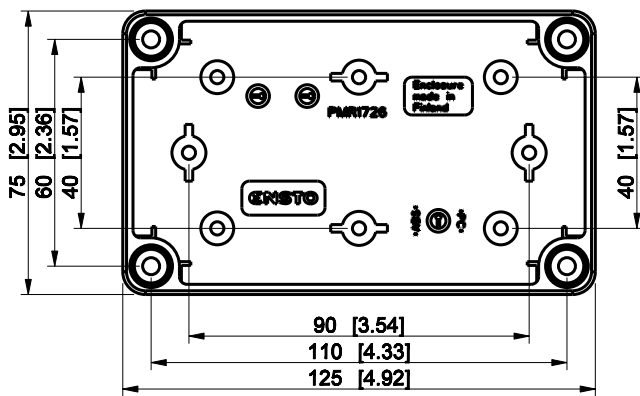
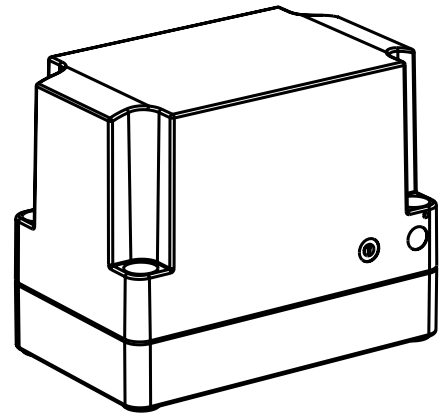
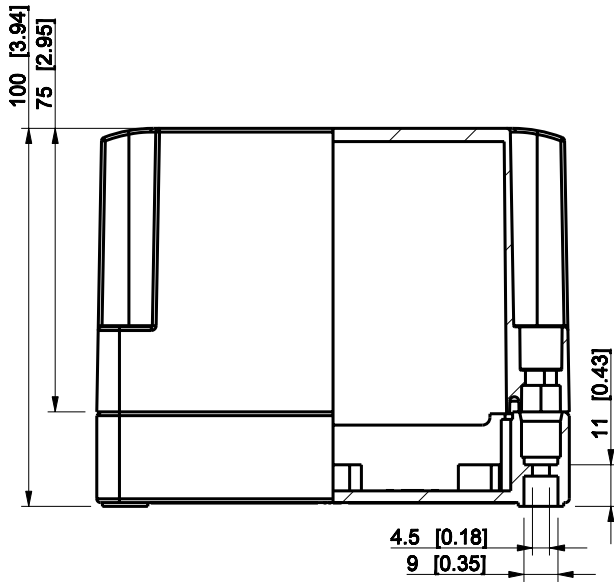
SABP081308T

Scale	Date	08.12.08
1:2	By	PKos
-	Checked	
-	Ctrl	

Replaces:
Replaced:
Drw No: - A
Ref: Cubo S
Code: SABP081308T
Sheet No:

model SABP081308T PART
 drawing CUBOS DRAWING

ID	Description	Date	By	Appr.
A				

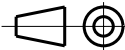


Dimensions in mm [inches]

Material: ABS	Color: RAL 7035
---------------	-----------------

Supplier:	Tool No:	Weight [kg]: 0.22	Volume:
-----------	----------	-------------------	---------

ENSTO
ENSTO CONTROL OY



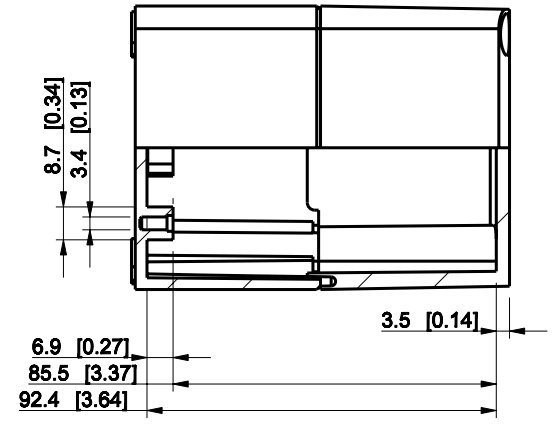
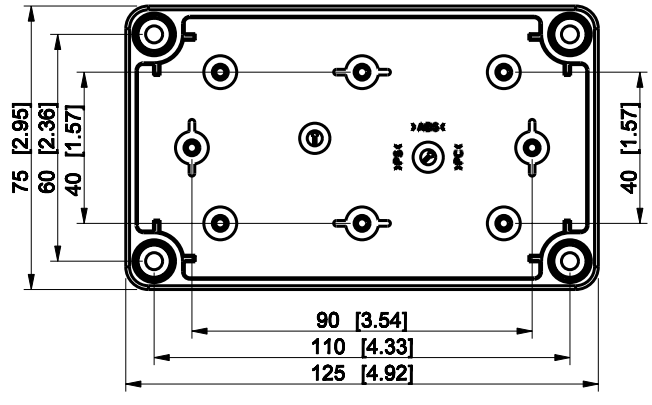
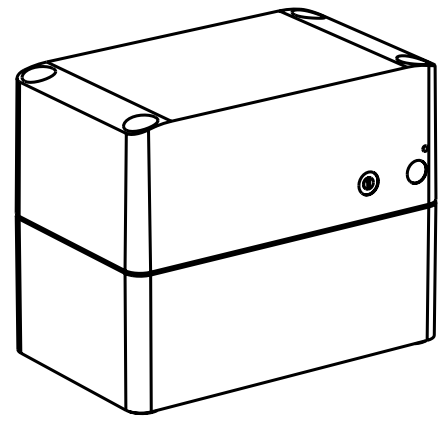
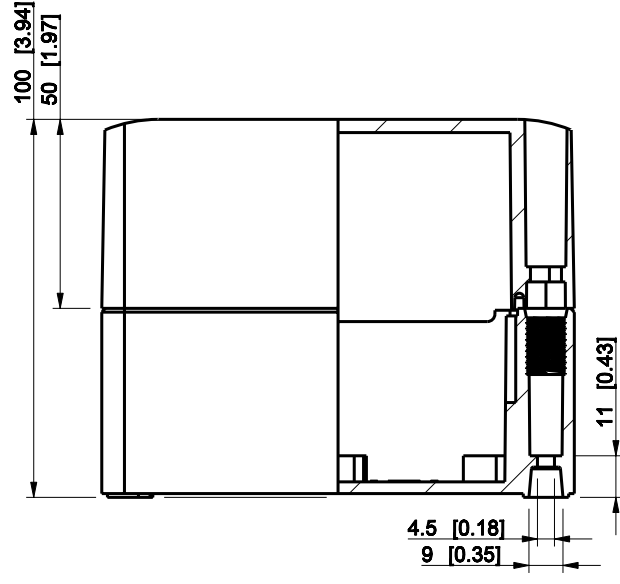
SABP081310LT

Scale	Date	04.12.08
1:2	By	PKos
-	Checked	
-	Ctrl	

Replaces:	
Replaced:	
Drw No:	- A
Ref:	Cubo S
Code:	SABP081310LT
Sheet No:	

model SABP081310LT .PART
drawing CUBOS_4.DRAWING

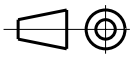
ID	Description	Date	By	Appr.
A				



Dimensions in mm [inches]

Material: ABS	Color: RAL 7035
---------------	-----------------

Supplier:	Tool No:	Weight [kg]: 0.24	Volume:
-----------	----------	-------------------	---------



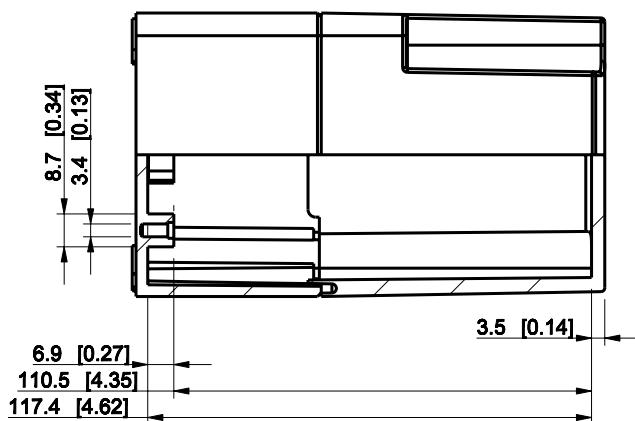
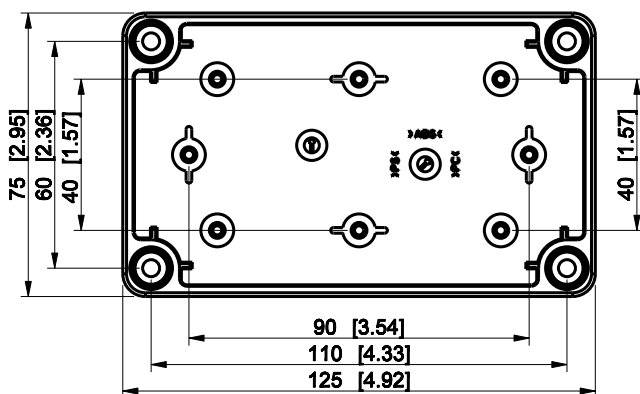
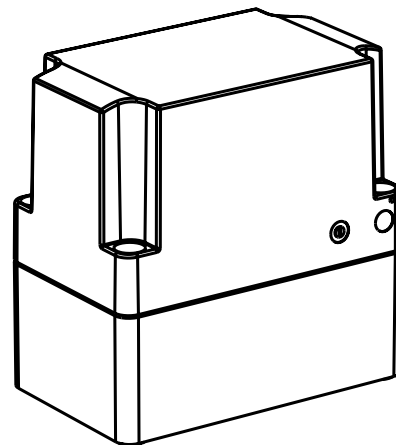
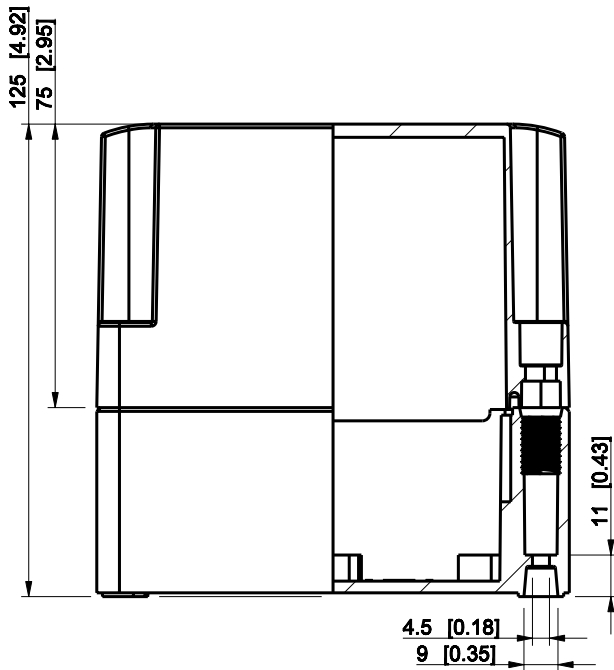
SABP081310T

Scale	Date	08.12.08
1:2	By	PKos
-	Checked	
-	Ctrl	

Replaces:	
Replaced:	
Drw No:	- A
Ref:	Cubo S
Code:	SABP081310T
Sheet No:	

model SABP081310T .PART
 drawing CUBOS DRAWING

ID	Description	Date	By	Appr.
A				

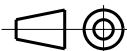


Dimensions in mm [inches]

Material: ABS	Color: RAL 7035
---------------	-----------------

Supplier:	Tool No:	Weight [kg]: 0.26	Volume:
-----------	----------	-------------------	---------

ENSTO
ENSTO CONTROL OY



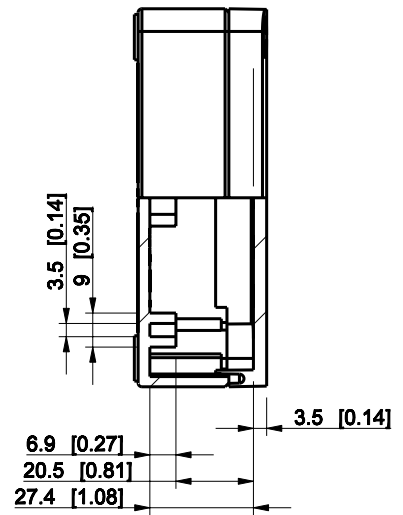
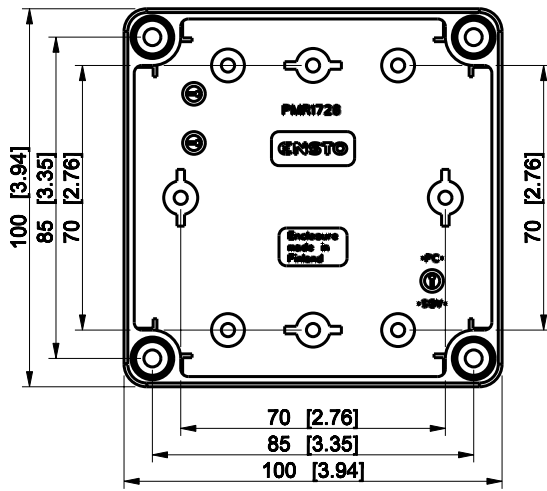
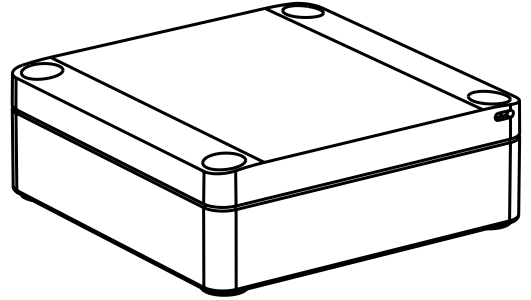
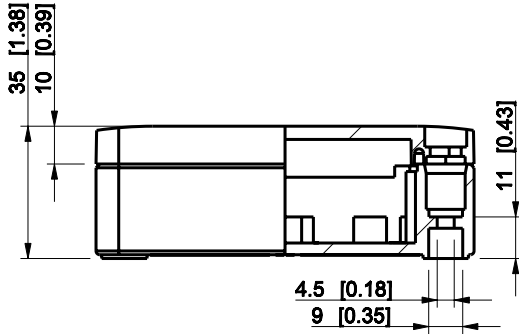
SABP081313T

Scale	Date	08.12.08
1:2	By	PKos
-	Checked	
-	Ctrl	

Replaces:	
Replaced:	
Drw No:	- A
Ref:	Cubo S
Code:	SABP081313T
Sheet No:	

model SABP081313T_PART
drawing CUBOS_DRAWING

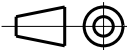
ID	Description	Date	By	Appr.
A				



Dimensions in mm [inches]

Material: ABS	Color: RAL 7035
---------------	-----------------

Supplier:	Tool No:	Weight [kg]: 0.12	Volume:
-----------	----------	-------------------	---------



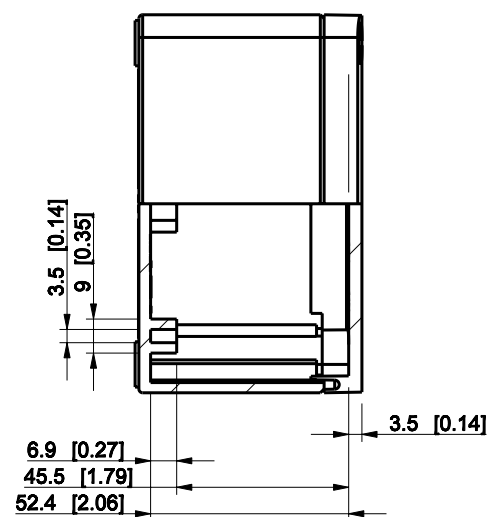
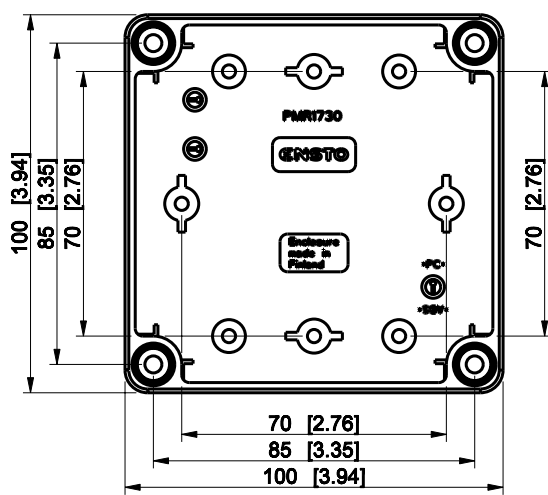
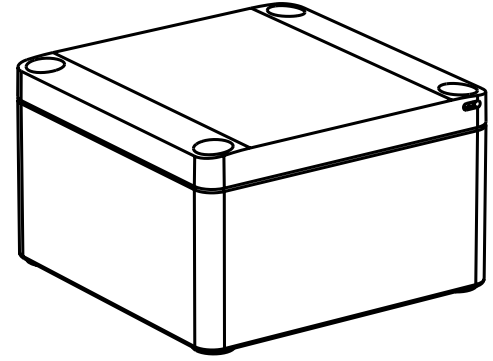
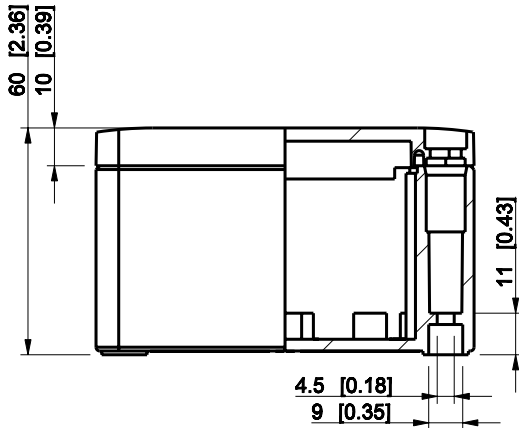
SABP101004LT

Scale	Date	04.12.08
1:2	By	PKos
-	Checked	
-	Ctrl	

Replaces:
Replaced:
Drw No: - A
Ref: Cubo S
Code: SABP101004LT
Sheet No:

model SABP101004LT .PART
drawing CUBOS_3_DRAWING

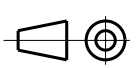
ID	Description	Date	By	Appr.
A				



Dimensions in mm [inches]

Material: ABS	Color: RAL 7035
---------------	-----------------

Supplier:	Tool No:	Weight [kg]: 0.17	Volume:
-----------	----------	-------------------	---------



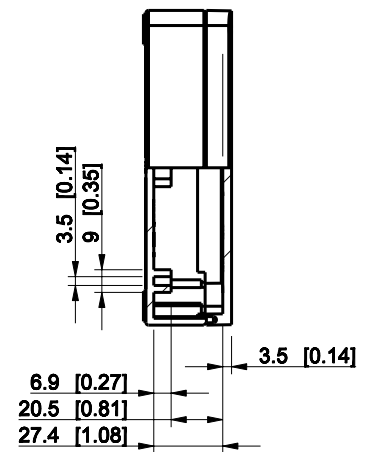
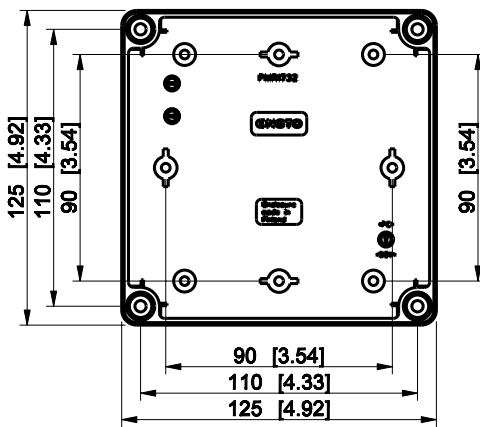
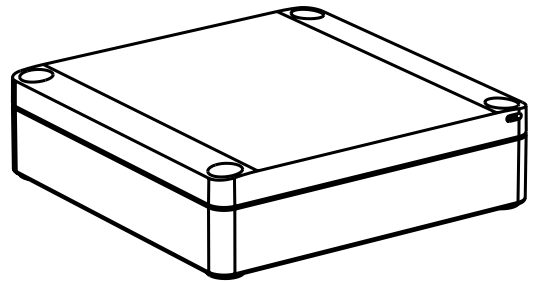
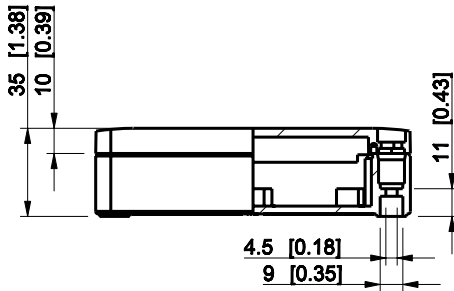
SABP101006T

Scale	Date	04.12.08
1:2	By	PKos
-	Checked	
-	Ctrl	

Replaces:	
Replaced:	
Drw No:	- A
Ref:	Cubo S
Code:	SABP101006T
Sheet No:	

model SABP101006T_PART
 drawing CUBOS_3_DRAWING

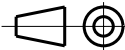
ID	Description	Date	By	Appr.
A				



Dimensions in mm [inches]

Material: ABS	Color: RAL 7035
---------------	-----------------

Supplier:	Tool No:	Weight [kg]: 0.18	Volume:
-----------	----------	-------------------	---------



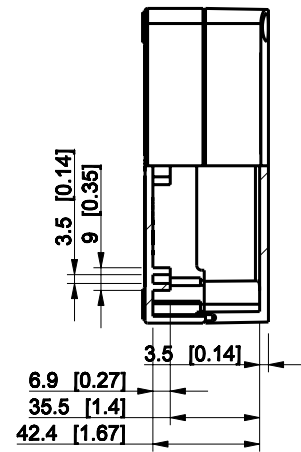
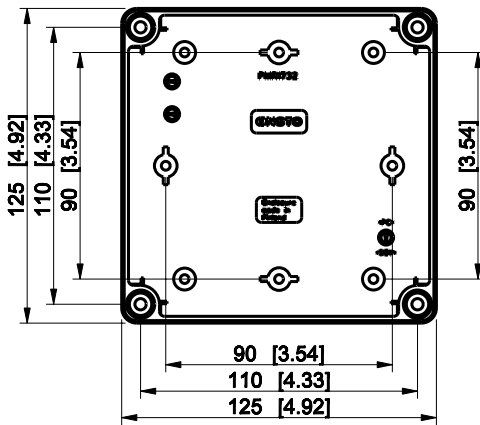
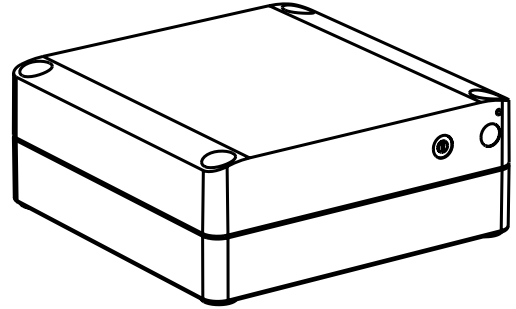
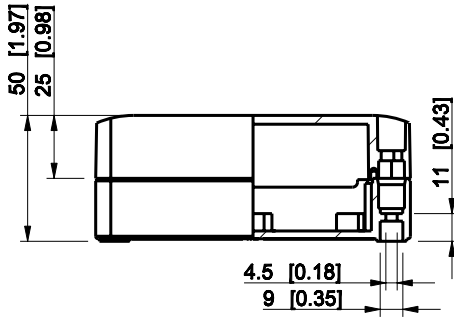
SABP131304LT

Scale	Date	04.12.08
1:3	By	PKos
-	Checked	
-	Ctrl	

Replaces:
Replaced:
Drw No: - A
Ref: Cubo S
Code: SABP131304LT
Sheet No:

model SABP131304LT .PART
drawing CUBOS_3.DRAWING

ID	Description	Date	By	Appr.
A				

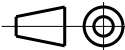


Dimensions in mm [inches]

Material: ABS	Color: RAL 7035
---------------	-----------------

Supplier:	Tool No:	Weight [kg]: 0.22	Volume:
-----------	----------	-------------------	---------

ENSTO
ENSTO CONTROL OY



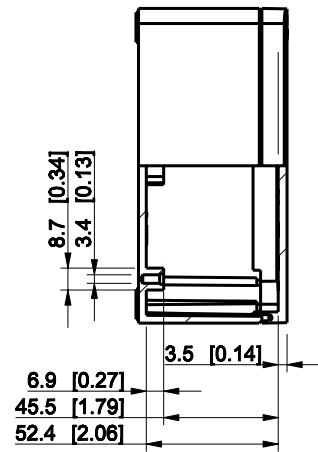
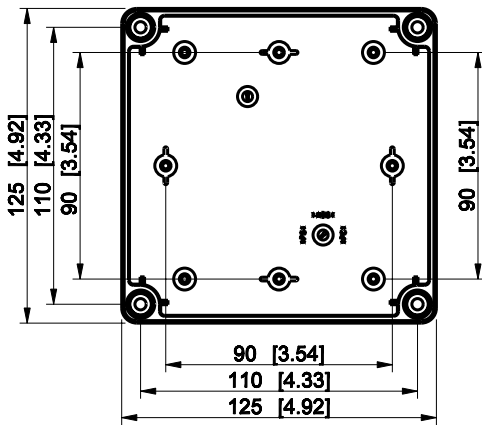
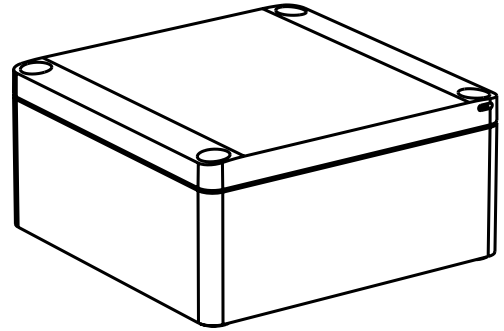
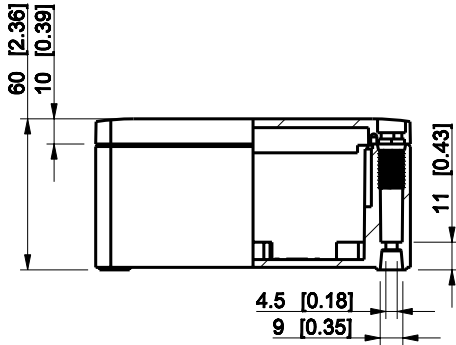
SABP131305LT

Scale	Date	04.12.08
1:3	By	PKos
-	Checked	
-	Ctrl	

Replaces:
Replaced:
Drw No: - A
Ref: Cubo S
Code: SABP131305LT
Sheet No:

model SABP131305LT .PART
drawing CUBOS_4.DRAWING

ID	Description	Date	By	Appr.
A				

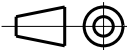


Dimensions in mm [inches]

Material: ABS	Color: RAL 7035
---------------	-----------------

Supplier:	Tool No:	Weight [kg]: 0.23	Volume:
-----------	----------	-------------------	---------

ENSTO
ENSTO CONTROL OY



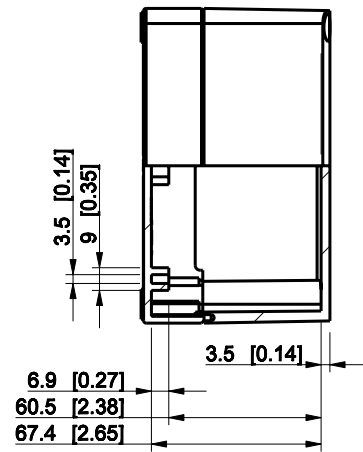
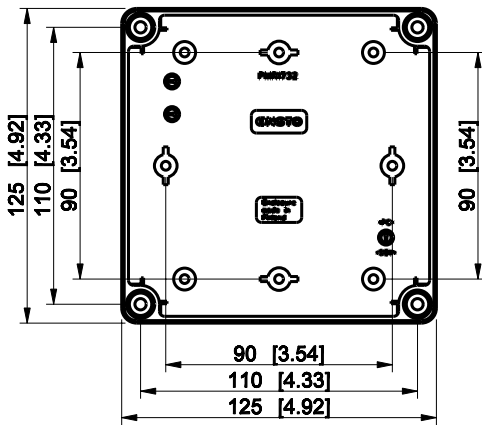
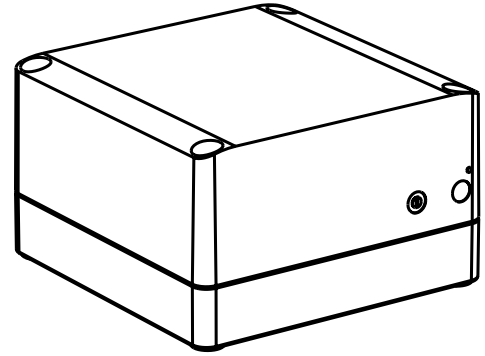
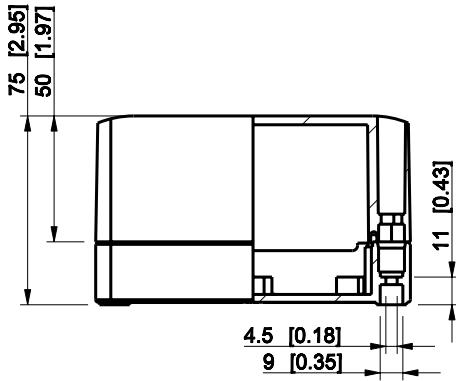
SABP131306T

Scale	Date	04.12.08
1:3	By	PKos
-	Checked	
-	Ctrl	

Replaces:
Replaced:
Drw No: - A
Ref: Cubo S
Code: SABP131306T
Sheet No:

model SABP131306T .PART
drawing CUBOS_2.DRAWING

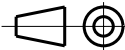
ID	Description	Date	By	Appr.
A				



Dimensions in mm [inches]

Material: ABS	Color: RAL 7035
---------------	-----------------

Supplier:	Tool No:	Weight [kg]: 0.28	Volume:
-----------	----------	-------------------	---------



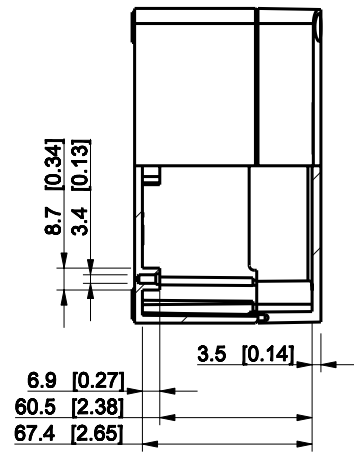
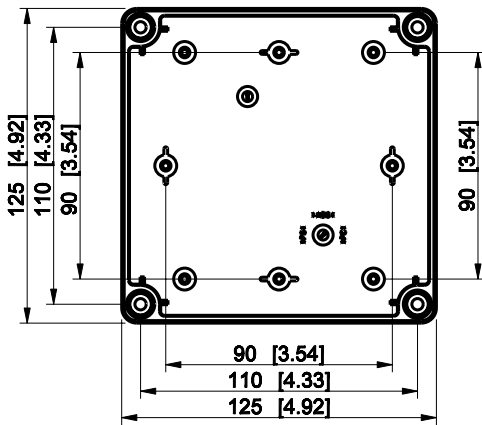
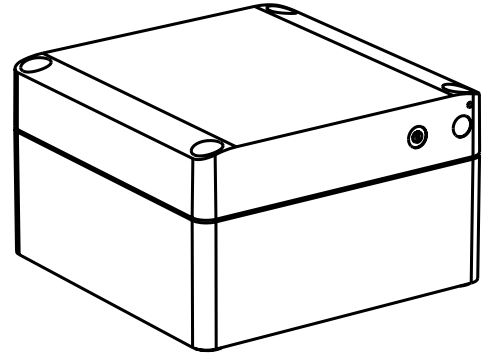
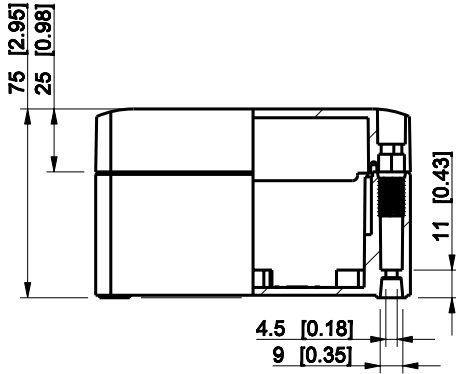
SABP131308LT

Scale	Date	04.12.08
1:3	By	PKos
-	Checked	
-	Ctrl	

Replaces:
Replaced:
Drw No: - A
Ref: Cubo S
Code: SABP131308LT
Sheet No:

model SABP131308LT .PART
drawing CUBOS_4.DRAWING

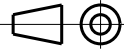
ID	Description	Date	By	Appr.
A				



Dimensions in mm [inches]

Material: ABS	Color: RAL 7035
---------------	-----------------

Supplier:	Tool No:	Weight [kg]: 0.27	Volume:
-----------	----------	-------------------	---------



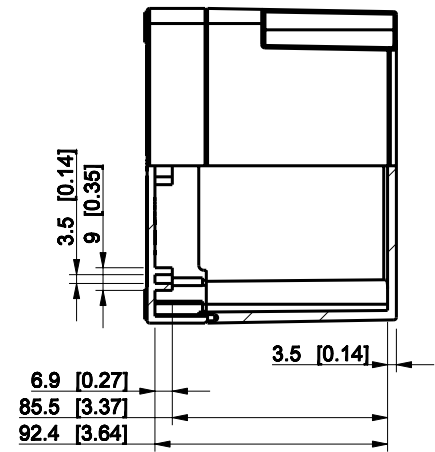
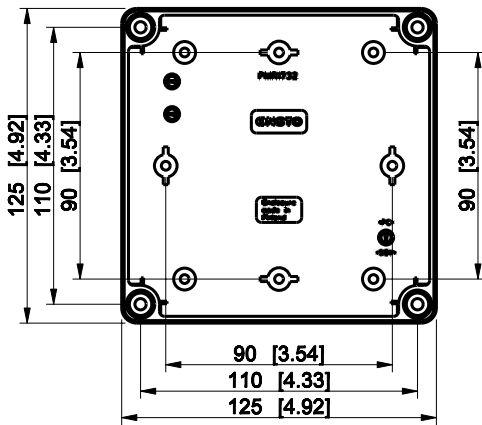
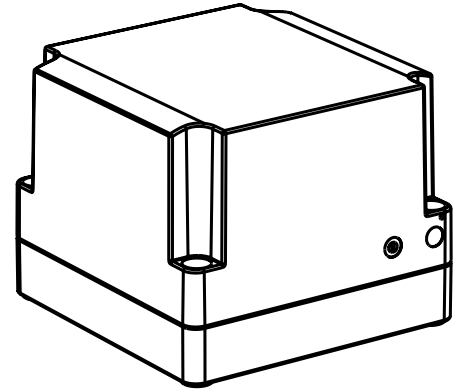
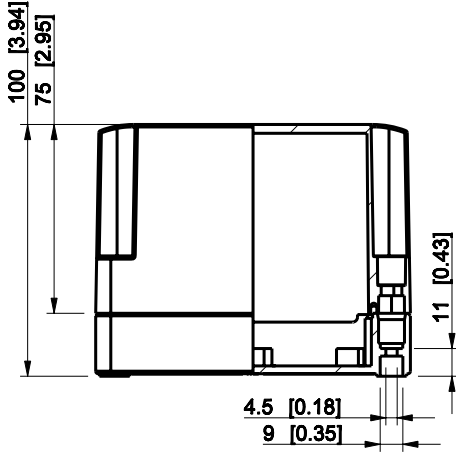
SABP131308T

Scale	Date	08.12.08
1:3	By	PKos
-	Checked	
-	Ctrl	

Replaces:	
Replaced:	
Drw No:	- A
Ref:	Cubo S
Code:	SABP131308T
Sheet No:	

model SABP131308T PART
 drawing CUBOS DRAWING

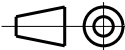
ID	Description	Date	By	Appr.
A				



Dimensions in mm [inches]

Material: ABS	Color: RAL 7035
---------------	-----------------

Supplier:	Tool No:	Weight [kg]: 0.31	Volume:
-----------	----------	-------------------	---------



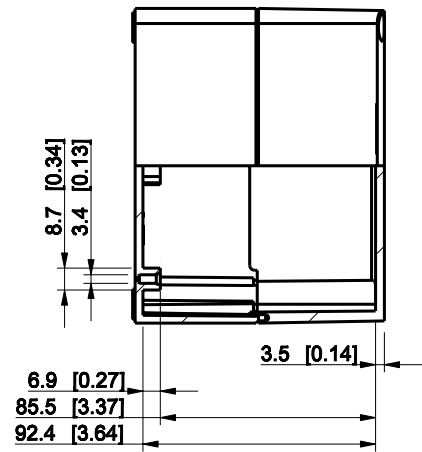
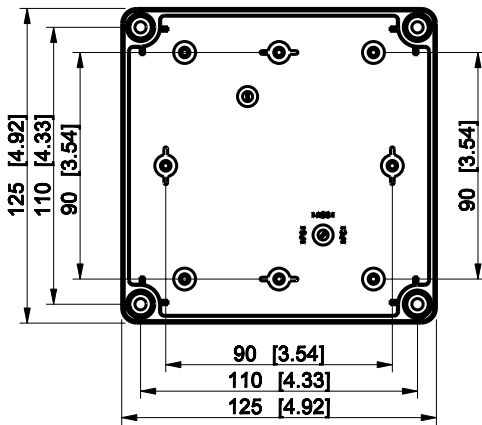
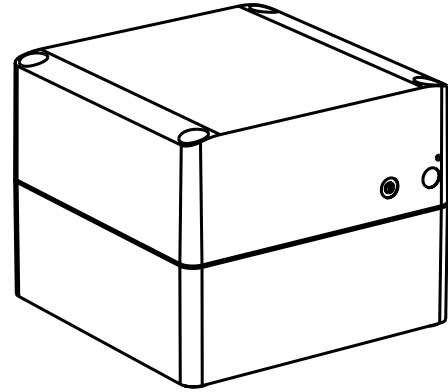
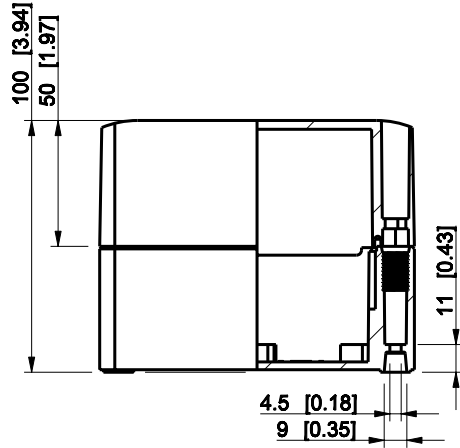
SABP131310LT

Scale	Date	04.12.08
1:3	By	PKos
-	Checked	
-	Ctrl	

Replaces:
Replaced:
Drw No: - A
Ref: Cubo S
Code: SABP131310LT
Sheet No:

model SABP131310LT .PART
 drawing CUBOS_4.DRAWING

ID	Description	Date	By	Appr.
A				

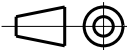


Dimensions in mm [inches]

Material: ABS	Color: RAL 7035
---------------	-----------------

Supplier:	Tool No:	Weight [kg]: 0.33	Volume:
-----------	----------	-------------------	---------

ENSTO
ENSTO CONTROL OY



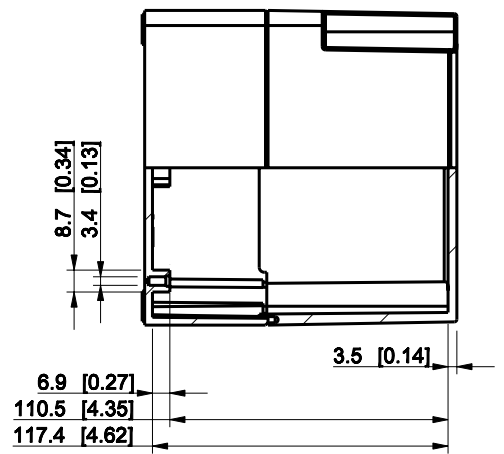
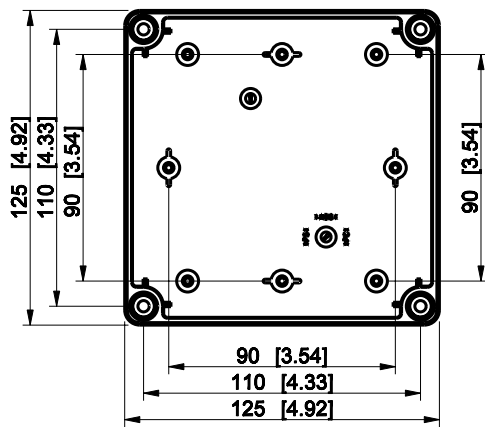
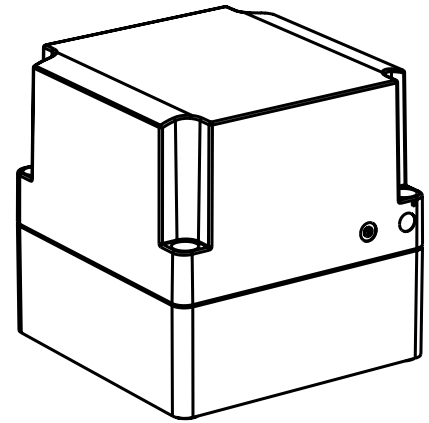
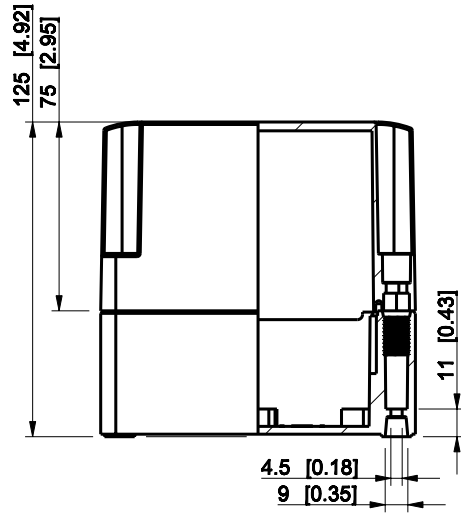
SABP131310T

Scale	Date	08.12.08
1:3	By	PKos
-	Checked	
-	Ctrl	

Replaces:
Replaced:
Drw No: - A
Ref: Cubo S
Code: SABP131310T
Sheet No:

model SABP131310T .PART
drawing CUBOS.DRAWING



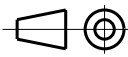
ID	Description	Date	By	Appr.
A				



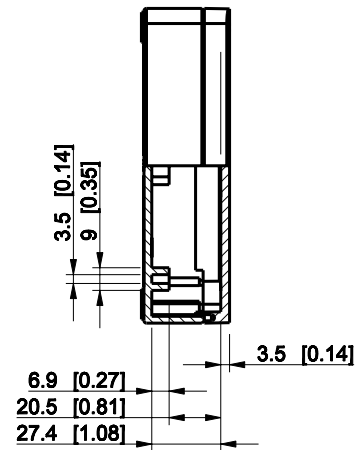
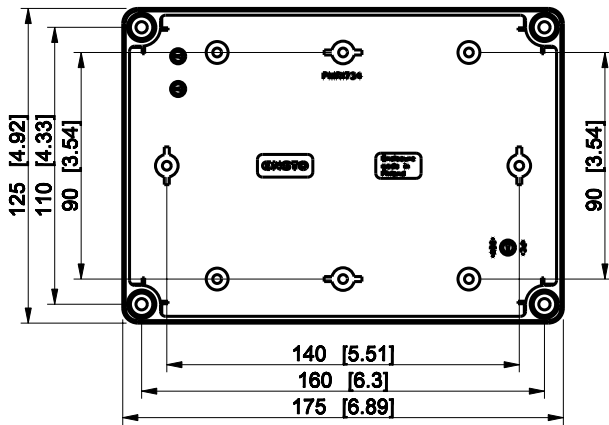
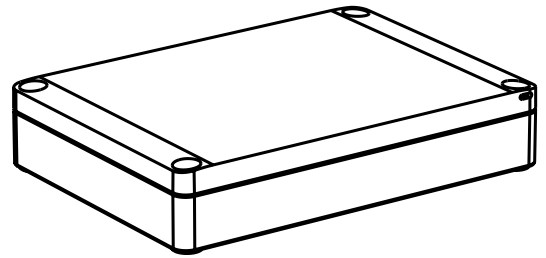
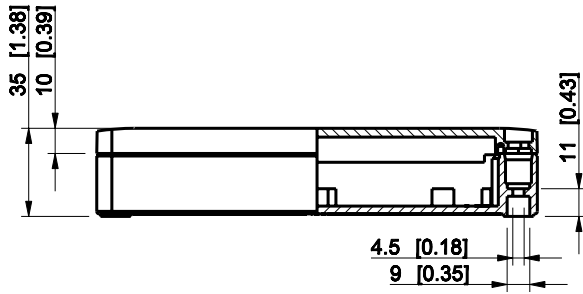
Dimensions in mm [inches]

Material: ABS	Color: RAL 7035
---------------	-----------------

Supplier:	Tool No:	Weight [kg]: 0.36	Volume:
-----------	----------	-------------------	---------

model SABP131313T PART drawing CUBOS DRAWING	 		 <h1 style="margin: 0;">SABP131313T</h1>	Replaces:
	Scale	Date		Replaced:
	1:3	08.12.08		Drw No: - A
	-	By PKOs		Ref: Cubo S
	-	Checked		Code: SABP131313T
	Ctrl	Sheet No:		

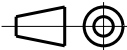
ID	Description	Date	By	Appr.
A				



Dimensions in mm [inches]

Material: ABS	Color: RAL 7035
---------------	-----------------

Supplier:	Tool No:	Weight [kg]: 0.92	Volume:
-----------	----------	-------------------	---------



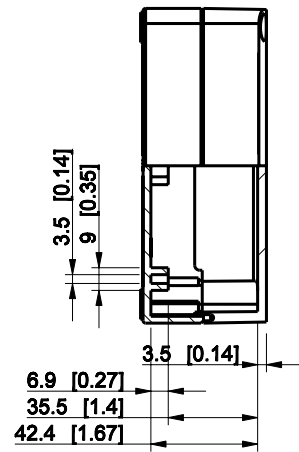
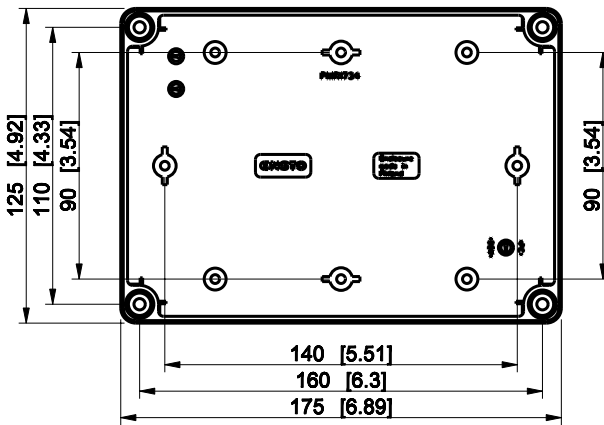
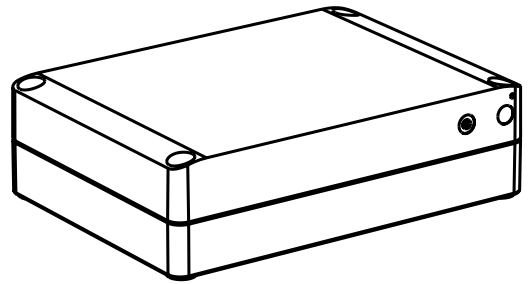
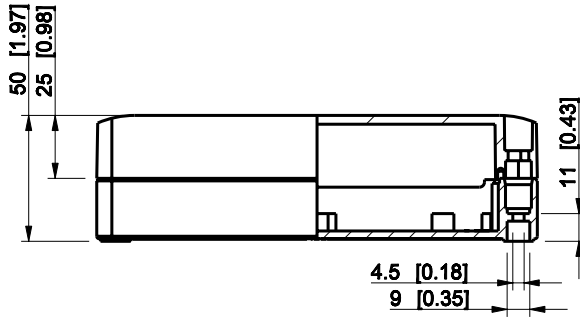
SABP131804LT

Scale	Date	04.12.08
1:3	By	PKos
-	Checked	
-	Ctrl	

Replaces:
Replaced:
Drw No: - A
Ref: Cubo S
Code: SABP131804LT
Sheet No:

model SABP131804LT .PART
 drawing CUBOS_3.DRAWING

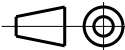
ID	Description	Date	By	Appr.
A				



Dimensions in mm [inches]

Material: ABS	Color: RAL 7035
---------------	-----------------

Supplier:	Tool No:	Weight [kg]: 0.28	Volume:
-----------	----------	-------------------	---------



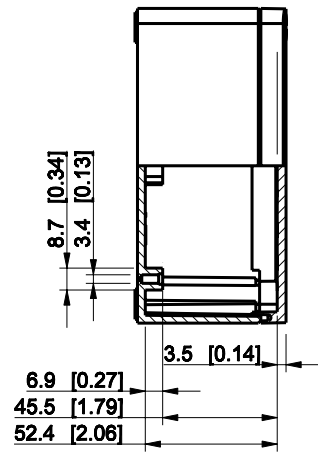
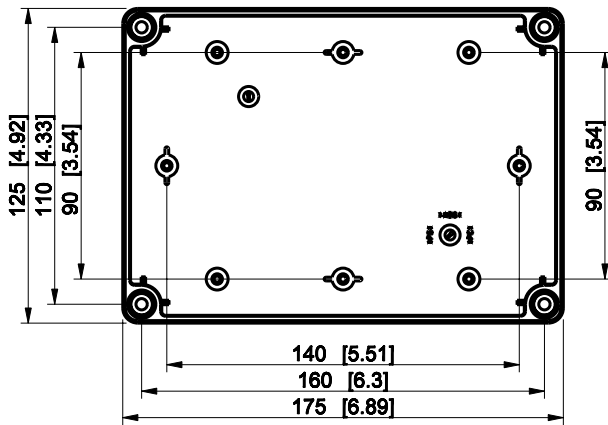
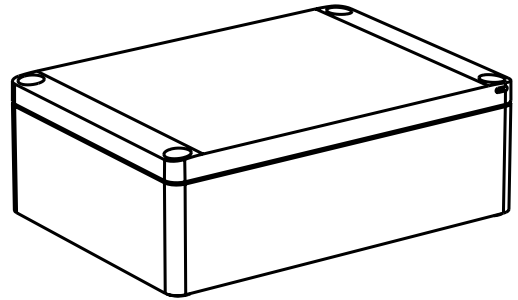
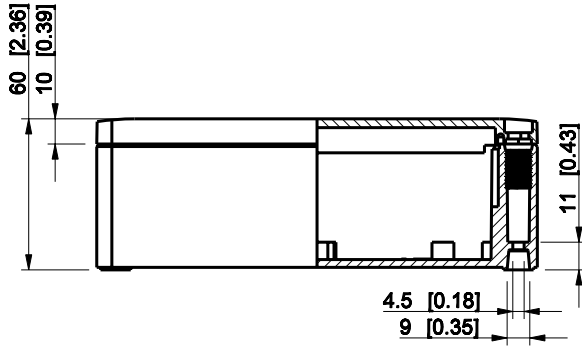
SABP131805LT

Scale	Date	04.12.08
1:3	By	PKos
-	Checked	
-	Ctrl	

Replaces:
Replaced:
Drw No: - A
Ref: Cubo S
Code: SABP131805LT
Sheet No:

model SABP131805LT .PART
 drawing CUBOS_4.DRAWING

ID	Description	Date	By	Appr.
A				

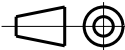


Dimensions in mm [inches]

Material: ABS	Color: RAL 7035
---------------	-----------------

Supplier:	Tool No:	Weight [kg]: 0.92	Volume:
-----------	----------	-------------------	---------

ENSTO
ENSTO CONTROL OY



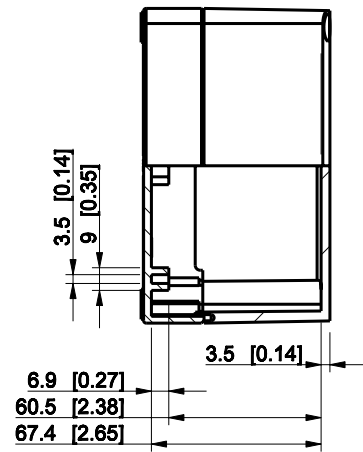
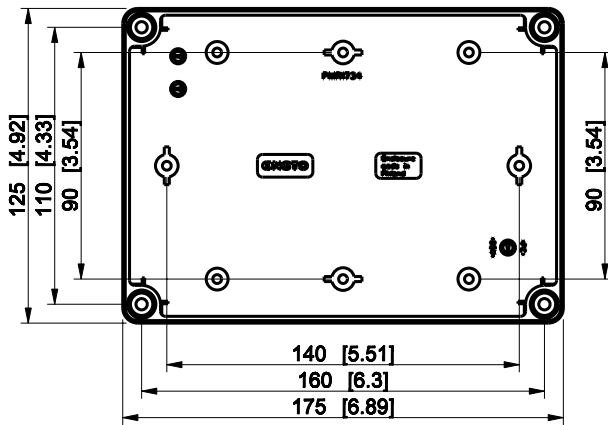
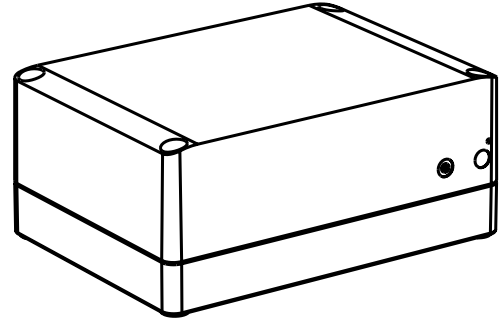
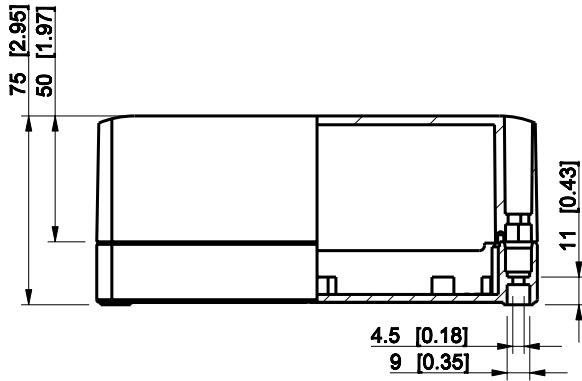
SABP131806T

Scale	Date	04.12.08
1:3	By	PKos
-	Checked	
-	Ctrl	

Replaces:
Replaced:
Drw No: - A
Ref: Cubo S
Code: SABP131806T
Sheet No:

model SABP131806T .PART
drawing CUBOS_2.DRAWING

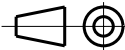
ID	Description	Date	By	Appr.
A				



Dimensions in mm [inches]

Material: ABS	Color: RAL 7035
---------------	-----------------

Supplier:	Tool No:	Weight [kg]: 0.36	Volume:
-----------	----------	-------------------	---------



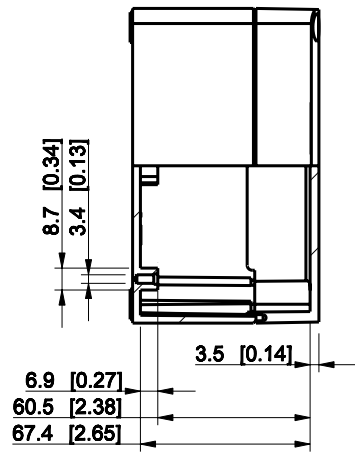
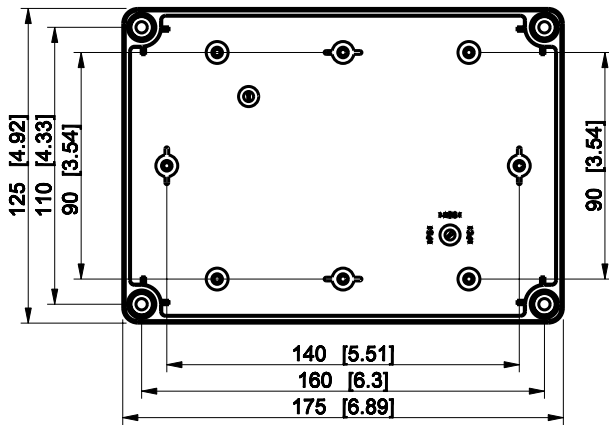
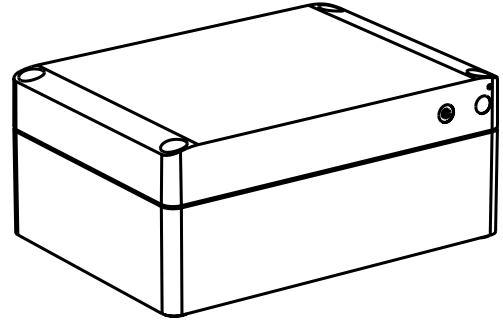
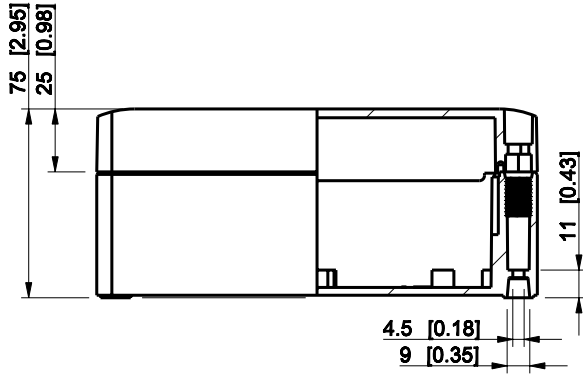
SABP131808LT

Scale	Date	04.12.08
1:3	By	PKos
-	Checked	
-	Ctrl	

Replaces:
Replaced:
Drw No: - A
Ref: Cubo S
Code: SABP131808LT
Sheet No:

model SABP131808LT .PART
drawing CUBOS_4.DRAWING

ID	Description	Date	By	Appr.
A				

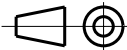


Dimensions in mm [inches]

Material: ABS	Color: RAL 7035
---------------	-----------------

Supplier:	Tool No:	Weight [kg]: 0.34	Volume:
-----------	----------	-------------------	---------

ENSTO
ENSTO CONTROL OY



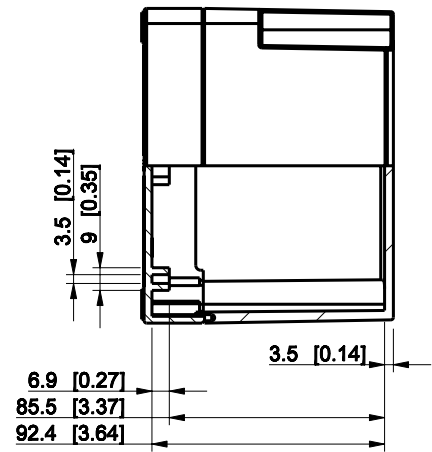
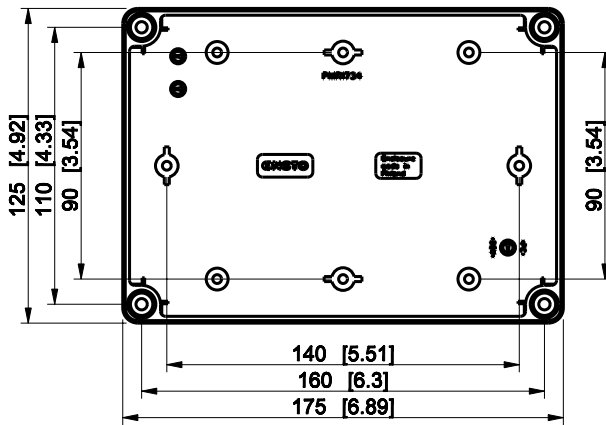
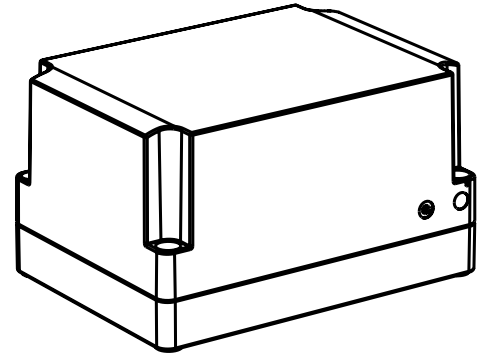
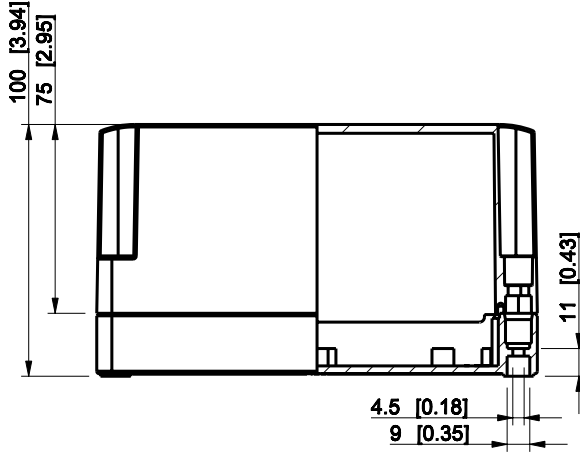
SABP131808T

Scale	Date	08.12.08
1:3	By	PKos
-	Checked	
-	Ctrl	

Replaces:
Replaced:
Drw No: - A
Ref: Cubo S
Code: SABP131808T
Sheet No:

model SABP131808T PART
drawing CUBOS DRAWING

ID	Description	Date	By	Appr.
A				

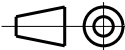


Dimensions in mm [inches]

Material: ABS	Color: RAL 7035
---------------	-----------------

Supplier:	Tool No:	Weight [kg]: 0.40	Volume:
-----------	----------	-------------------	---------

ENSTO
ENSTO CONTROL OY



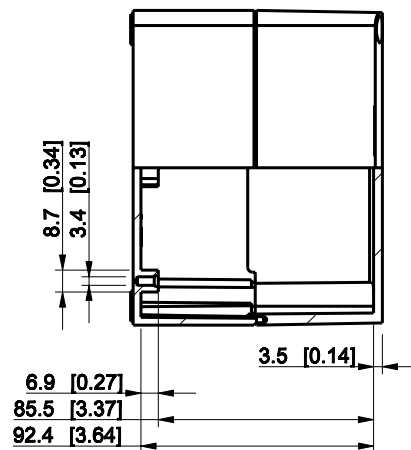
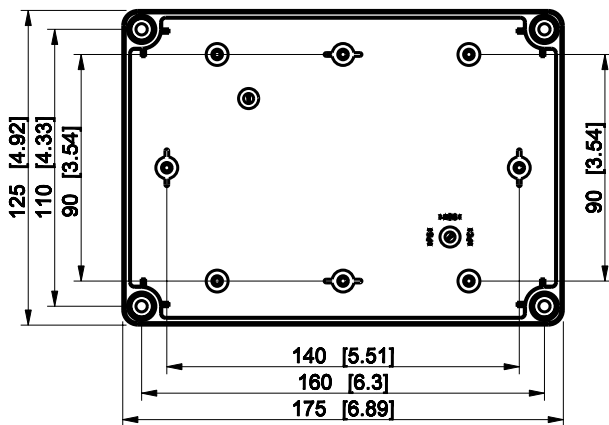
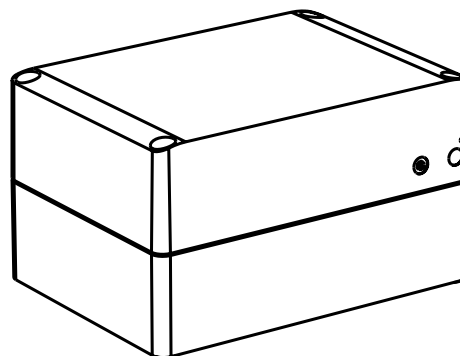
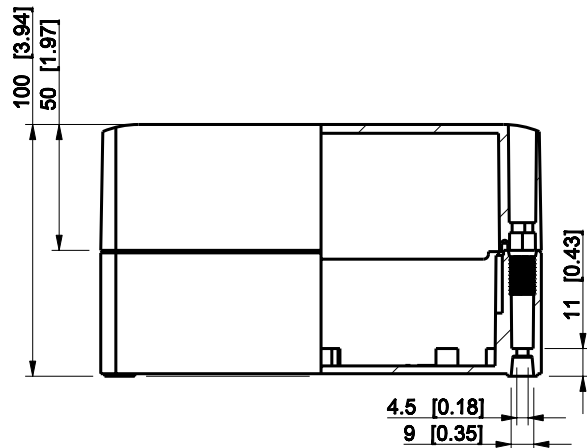
SABP131810LT

Scale	Date	04.12.08
1:3	By	PKos
-	Checked	
-	Ctrl	

Replaces:
Replaced:
Drw No: - A
Ref: Cubo S
Code: SABP131810LT
Sheet No:

model SABP131810LT .PART
drawing CUBOS_4.DRAWING

ID	Description	Date	By	Appr.
A				

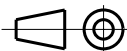


Dimensions in mm [inches]

Material: ABS	Color: RAL 7035
---------------	-----------------

Supplier:	Tool No:	Weight [kg]: 0.42	Volume:
-----------	----------	-------------------	---------

ENSTO
ENSTO CONTROL OY



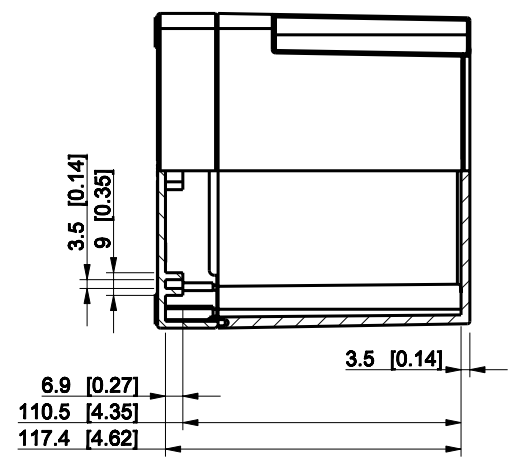
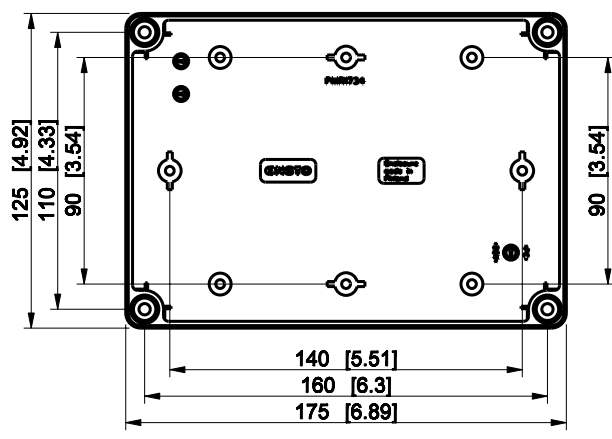
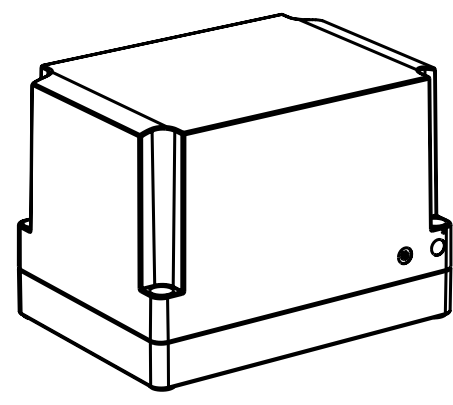
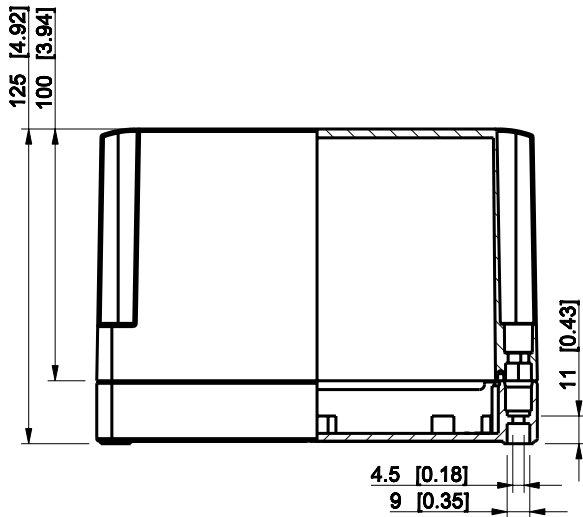
SABP131810T

Scale	Date	08.12.08
1:3	By	PKos
-	Checked	
-	Ctrl	

Replaces:
Replaced:
Drw No: - A
Ref: Cubo S
Code: SABP131810T
Sheet No:

model SABP131810T .PART
drawing CUBOS.DRAWING

ID	Description	Date	By	Appr.
A				



Dimensions in mm [inches]

Material: ABS	Color: RAL 7035
---------------	-----------------

Supplier:	Tool No:	Weight [kg]: 0.46	Volume:
-----------	----------	-------------------	---------



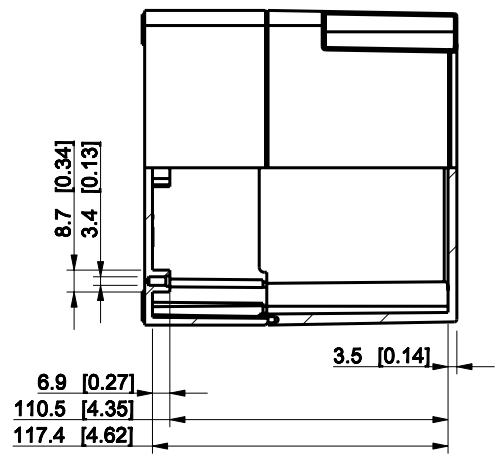
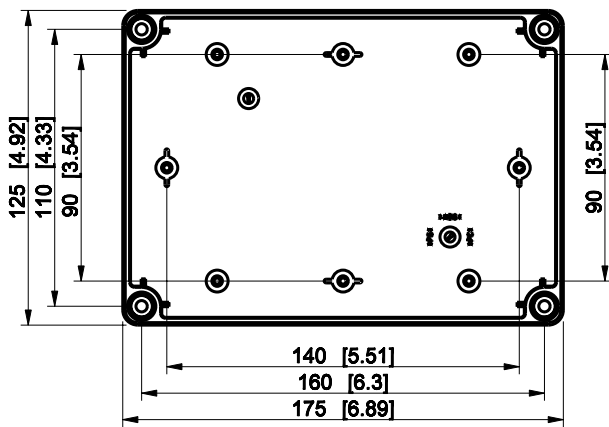
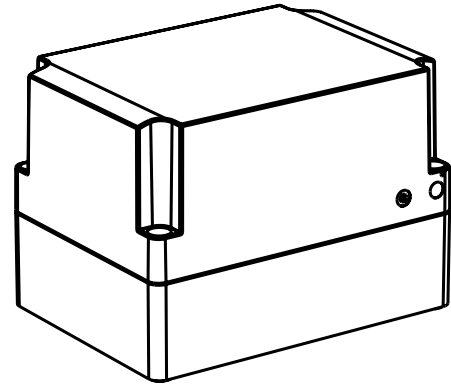
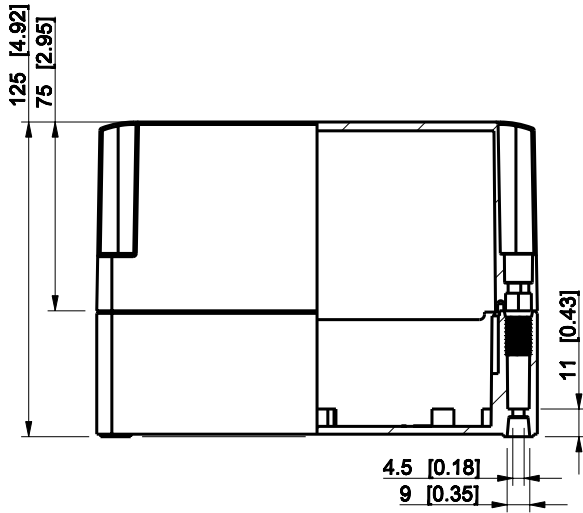
SABP131813LT

Scale	Date	04.12.08
1:3	By	PKos
-	Checked	
-	Ctrl	

Replaces:
Replaced:
Drw No: - A
Ref: Cubo S
Code: SABP131813LT
Sheet No:

model SABP131813LT .PART
drawing CUBOS_4.DRAWING

ID	Description	Date	By	Appr.
A				

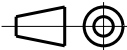


Dimensions in mm [inches]

Material: ABS	Color: RAL 7035
---------------	-----------------

Supplier:	Tool No:	Weight [kg]: 0.46	Volume:
-----------	----------	-------------------	---------

ENSTO
ENSTO CONTROL OY



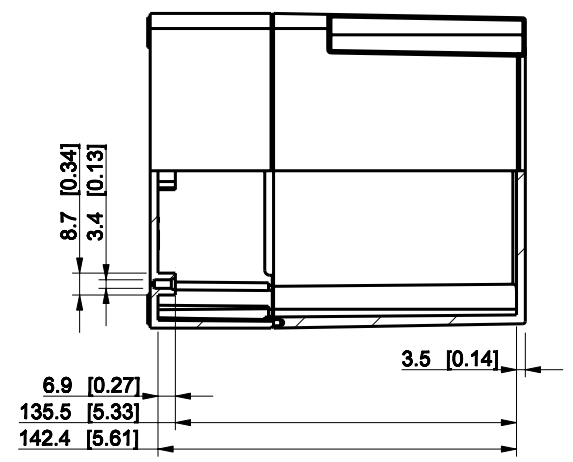
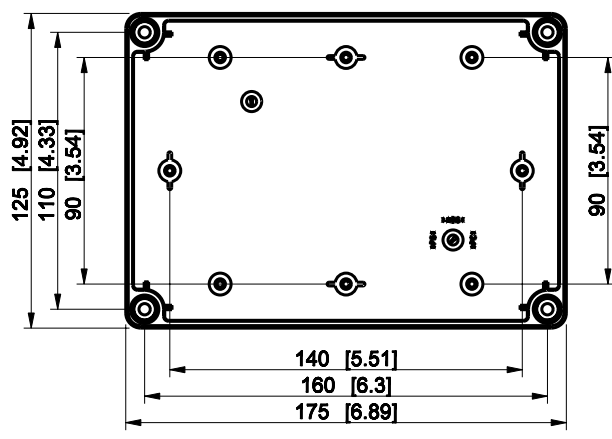
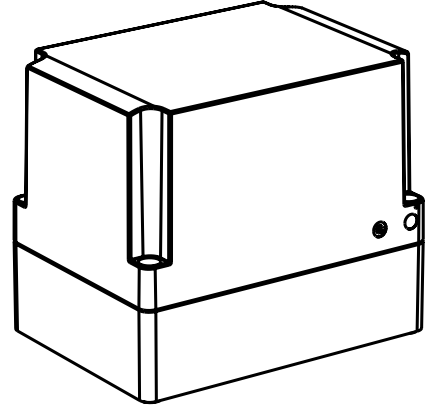
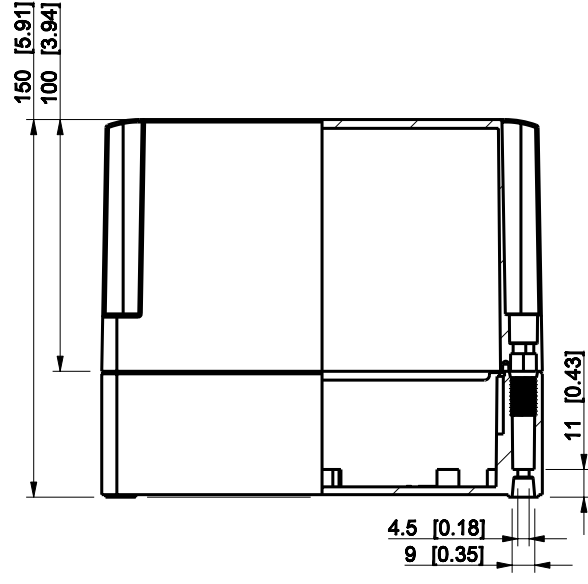
SABP131813T

Scale	Date	08.12.08
1:3	By	PKos
-	Checked	
-	Ctrl	

Replaces:
Replaced:
Drw No: - A
Ref: Cubo S
Code: SABP131813T
Sheet No:

model SABP131813T PART
drawing CUBOS DRAWING

ID	Description	Date	By	Appr.
A				



Dimensions in mm [inches]

Material: ABS	Color: RAL 7035
---------------	-----------------

Supplier:	Tool No:	Weight [kg]: 0.52	Volume:
-----------	----------	-------------------	---------



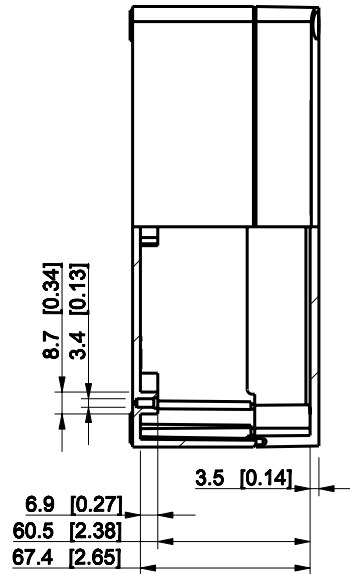
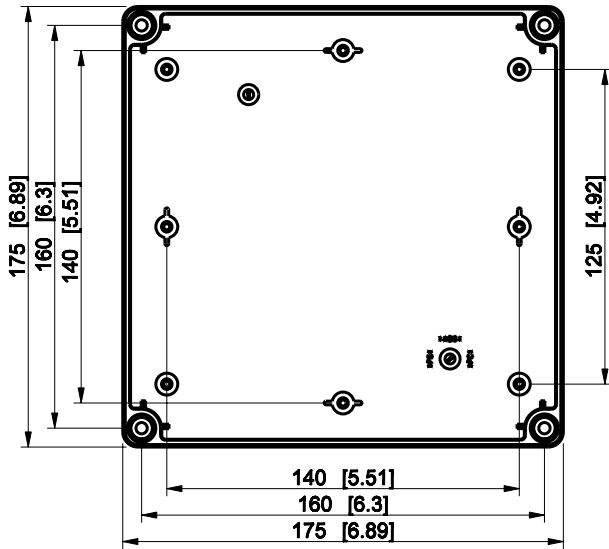
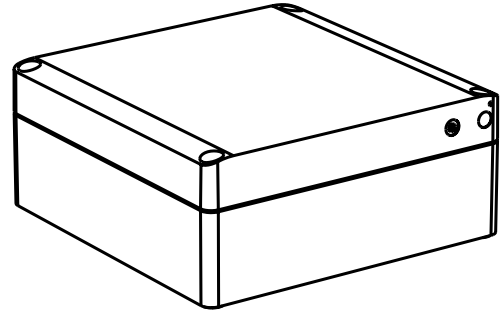
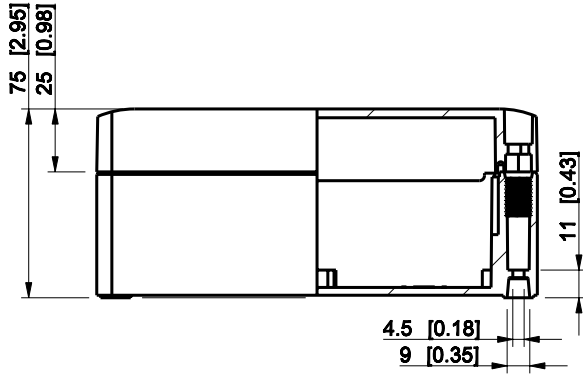
SABP131815T

Scale	Date	08.12.08
1:3	By	PKos
-	Checked	
-	Ctrl	

Replaces:
Replaced:
Drw No: - A
Ref: Cubo S
Code: SABP131815T
Sheet No:

model SABP131815T .PART
 drawing CUBOS.DRAWING

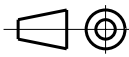
ID	Description	Date	By	Appr.
A				



Dimensions in mm [inches]

Material: ABS	Color: RAL 7035
---------------	-----------------

Supplier:	Tool No:	Weight [kg]: 0.44	Volume:
-----------	----------	-------------------	---------



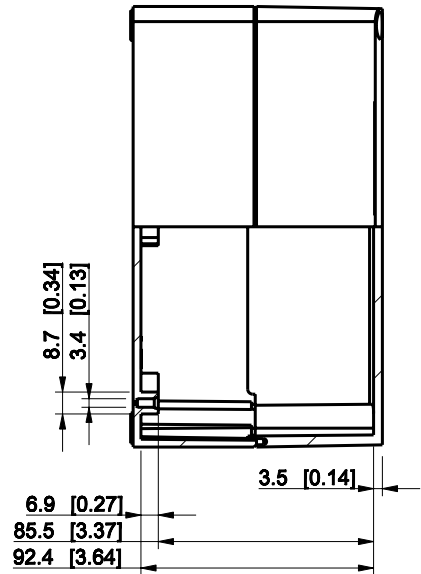
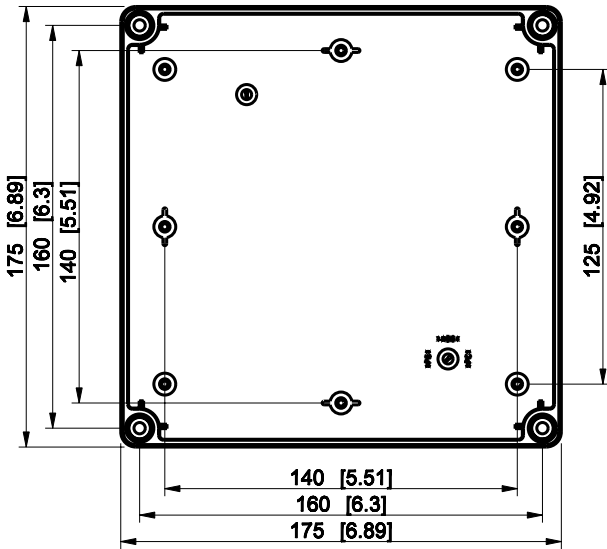
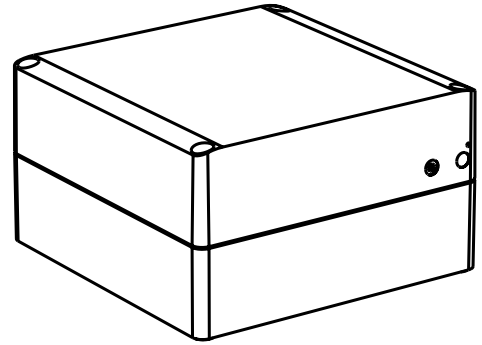
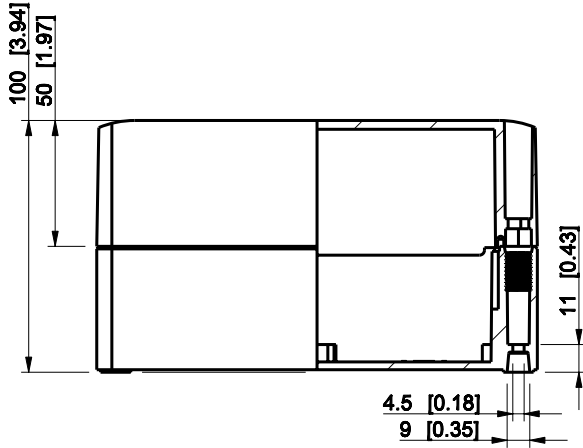
SABP181808T

Scale	Date	08.12.08
1:3	By	PKos
-	Checked	
-	Ctrl	

Replaces:	
Replaced:	
Drw No:	- A
Ref:	Cubo S
Code:	SABP181808T
Sheet No:	

model SABP181808T PART
drawing CUBOS DRAWING

ID	Description	Date	By	Appr.
A				

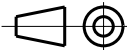


Dimensions in mm [inches]

Material: ABS	Color: RAL 7035
---------------	-----------------

Supplier:	Tool No:	Weight [kg]: 0.52	Volume:
-----------	----------	-------------------	---------

ENSTO
ENSTO CONTROL OY



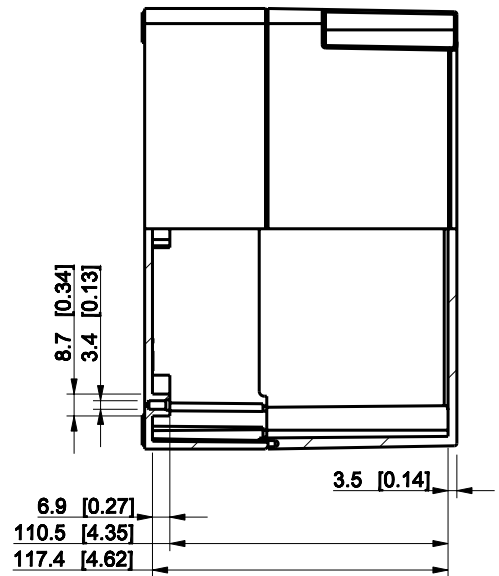
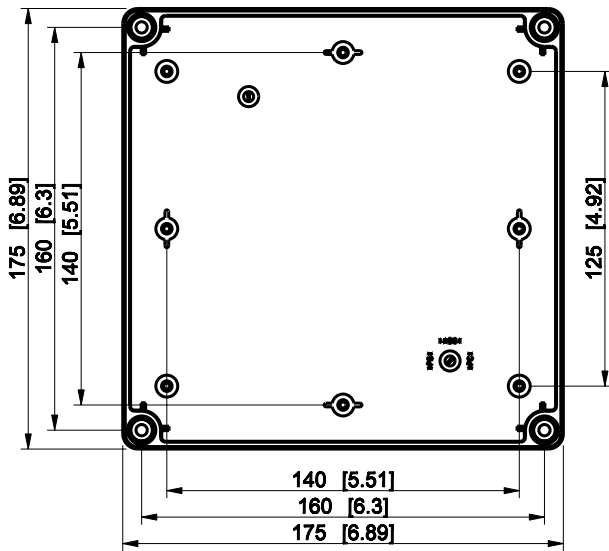
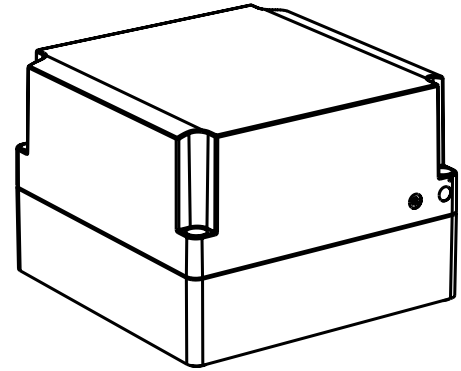
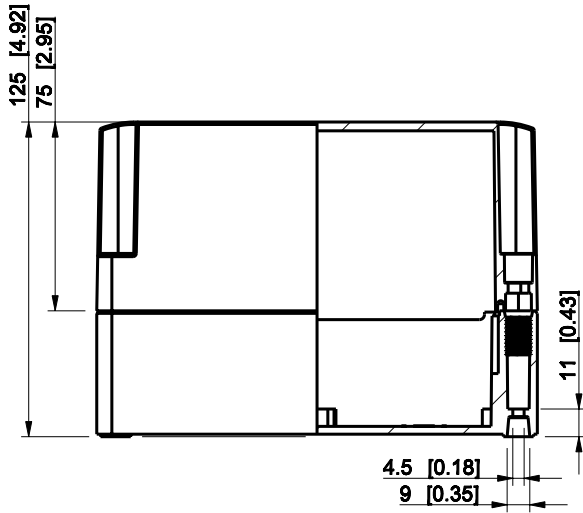
SABP181810T

Scale	Date	08.12.08
1:3	By	PKos
-	Checked	
-	Ctrl	

Replaces:
Replaced:
Drw No: - A
Ref: Cubo S
Code: SABP181810T
Sheet No:

model SABP181810T .PART
 drawing CUBOS.DRAWING

ID	Description	Date	By	Appr.
A				

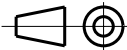


Dimensions in mm [inches]

Material: ABS	Color: RAL 7035
---------------	-----------------

Supplier:	Tool No:	Weight [kg]: 0.58	Volume:
-----------	----------	-------------------	---------

ENSTO
ENSTO CONTROL OY



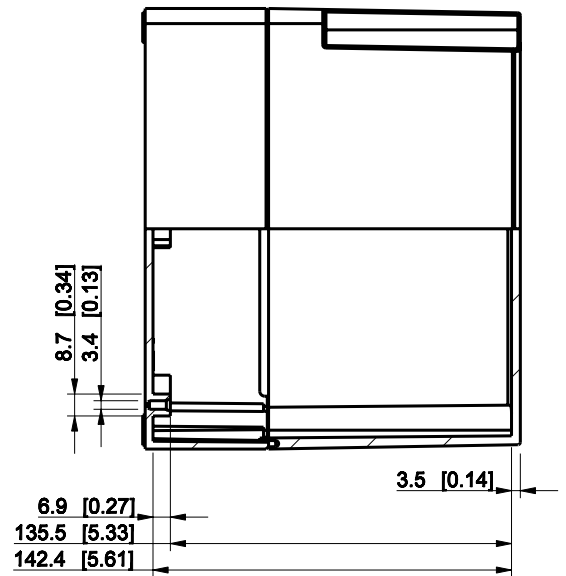
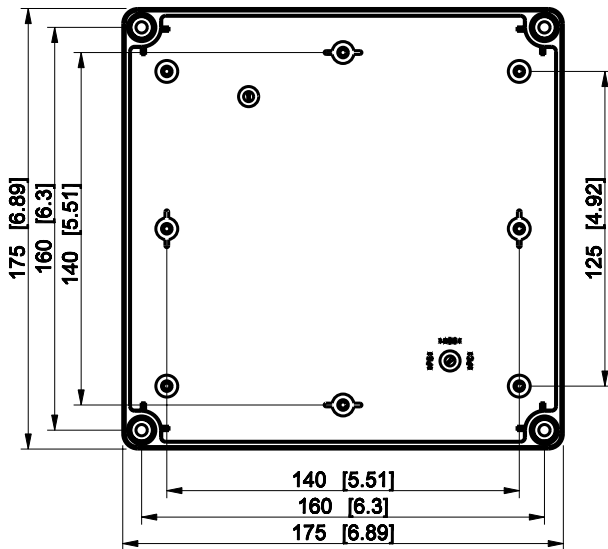
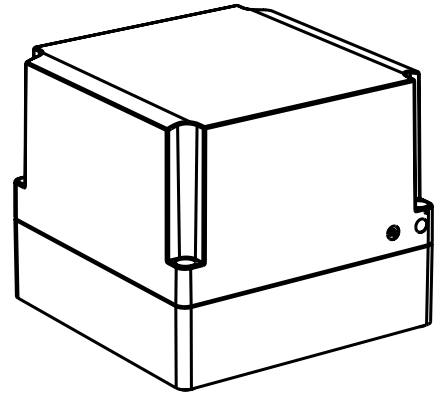
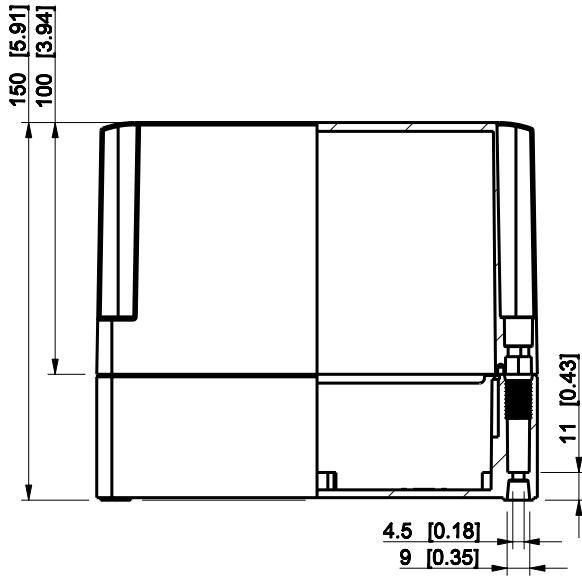
SABP181813T

Scale	Date	08.12.08
1:3	By	PKos
-	Checked	
-	Ctrl	

Replaces:	
Replaced:	
Drw No:	- A
Ref:	Cubo S
Code:	SABP181813T
Sheet No:	

model SABP181813T_PART
drawing CUBOS_DRAWING

ID	Description	Date	By	Appr.
A				



Dimensions in mm [inches]

Material: ABS	Color: RAL 7035
---------------	-----------------

Supplier:	Tool No:	Weight [kg]: 0.65	Volume:
-----------	----------	-------------------	---------

ENSTO
ENSTO CONTROL OY



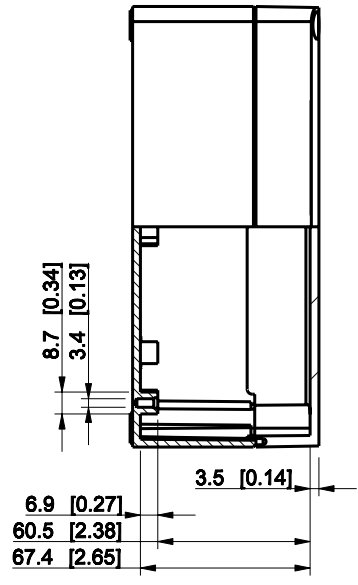
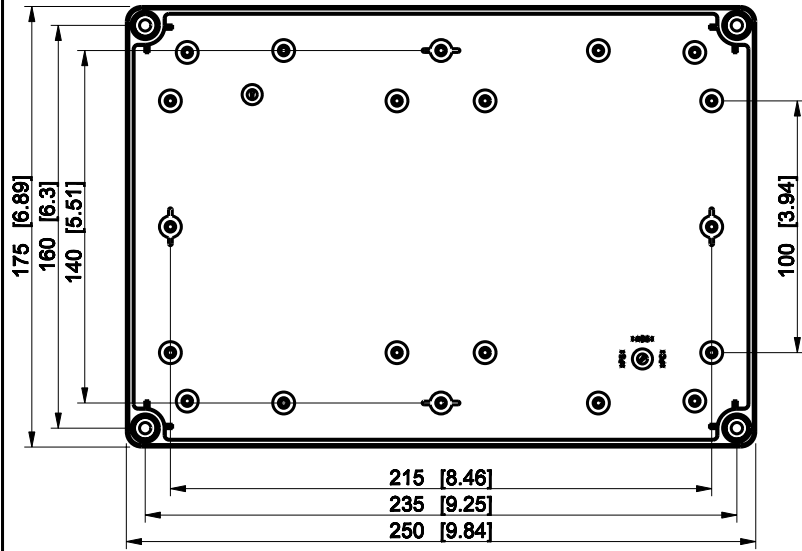
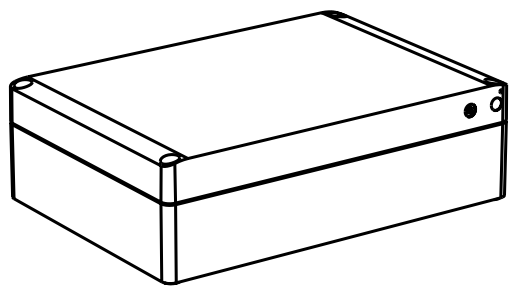
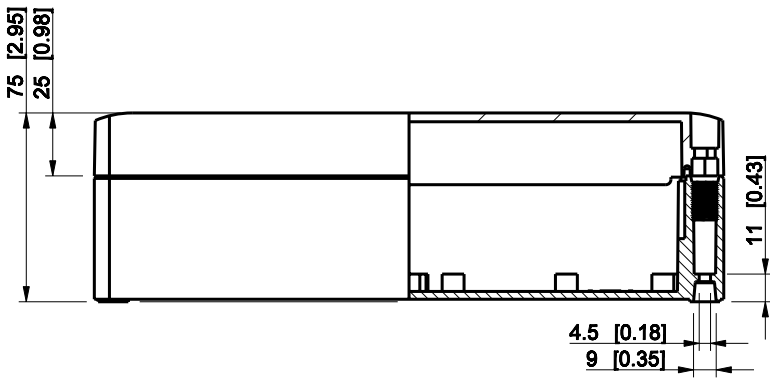
SABP181815T

Scale	Date	08.12.08
1:3	By	PKos
-	Checked	
-	Ctrl	

Replaces:	
Replaced:	
Drw No:	- A
Ref:	Cubo S
Code:	SABP181815T
Sheet No:	

model SABP181815T .PART
drawing CUBOS DRAWING

ID	Description	Date	By	Appr.
A				



Dimensions in mm [inches]

Material: ABS	Color: RAL 7035
---------------	-----------------

Supplier:	Tool No:	Weight [kg]: 0.58	Volume:
-----------	----------	-------------------	---------



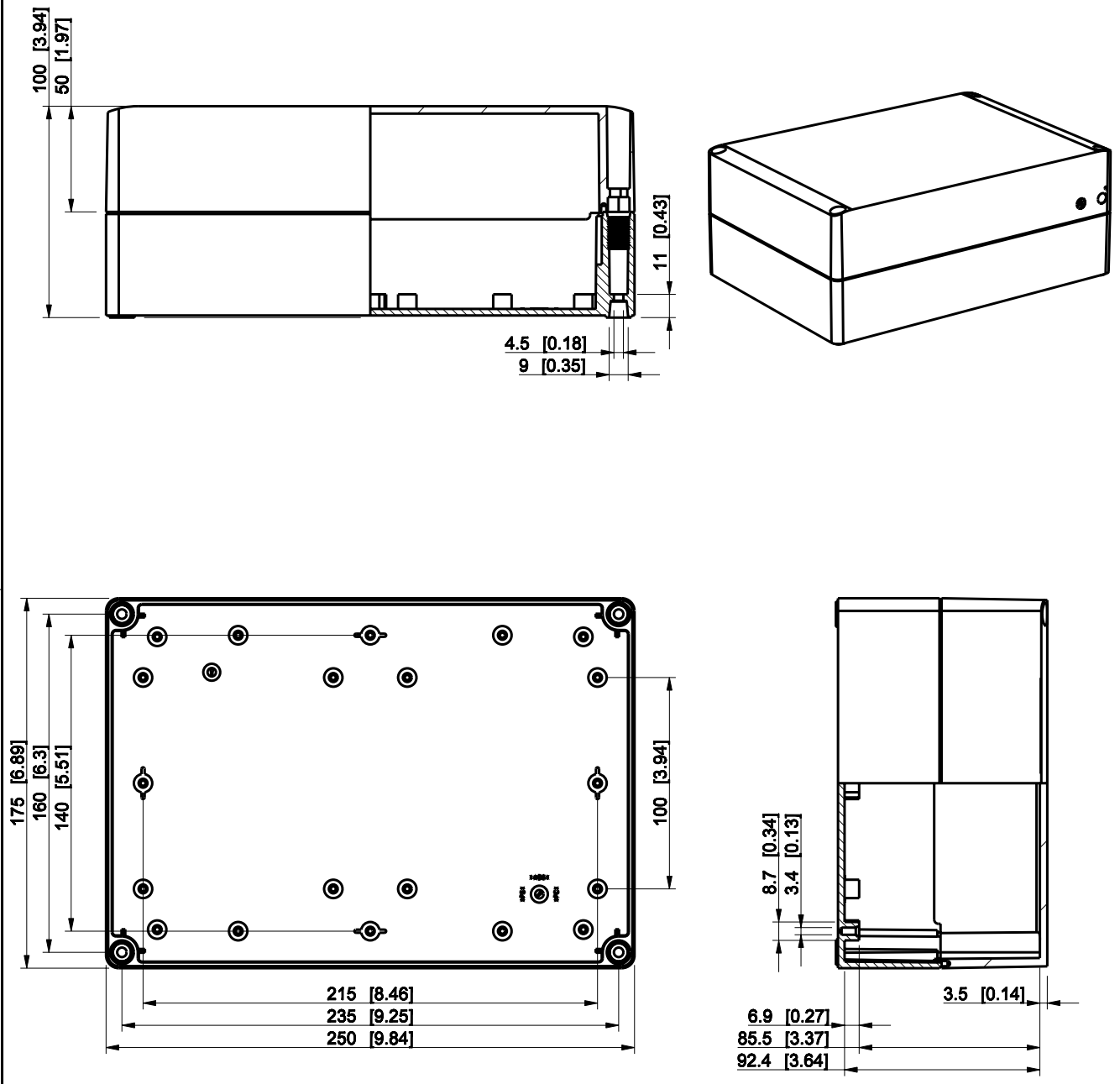
SABP182508T

Scale	Date	08.12.08
1:3	By	PKos
-	Checked	
-	Ctrl	


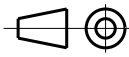
Replaces:	
Replaced:	
Drw No:	- A
Ref:	Cubo S
Code:	SABP182508T
Sheet No:	

model SABP182508T PART
 drawing CUBOS DRAWING

ID	Description	Date	By	Appr.
A				



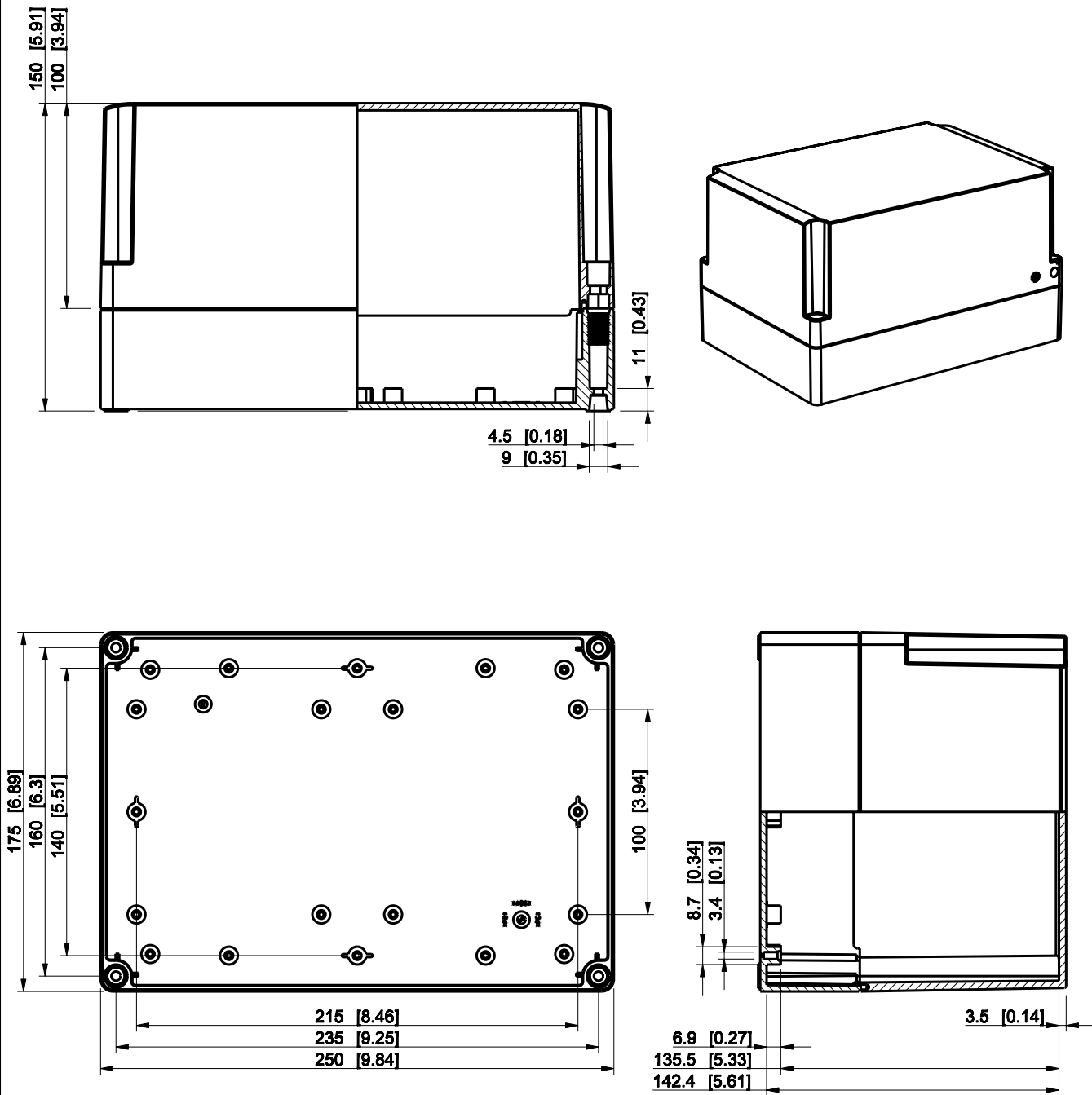
Dimensions in mm [inches]

Material: ABS		Color: RAL 7035	
Supplier:		Tool No:	
 ENSTO CONTROL OY			
Scale		Date	
1:3		08.12.08	
-		By	
-		PKos	
-		Checked	
-		Ctrl	
Weight [kg]: 0.69		Volume:	
Replaces:		Replaced:	
Drw No: -		A	
Ref: Cubo S		Code: SABP182510T	
Sheet No:			

model SABP182510T .PART
 drawing CUBOS DRAWING

SABP182510T

ID	Description	Date	By	Appr.
A				



Dimensions in mm [inches]

Material: ABS	Color: RAL 7035
---------------	-----------------

Supplier:	Tool No:	Weight [kg]: 0.92	Volume:
-----------	----------	-------------------	---------



SABP182515T

Scale	Date	08.12.08
1:3	By	PKos
-	Checked	
-	Ctrl	

Replaces:
Replaced:
Drw No: - A
Ref: Cubo S
Code: SABP182515T
Sheet No:

model SABP182515T .PART
drawing CUBOS DRAWING