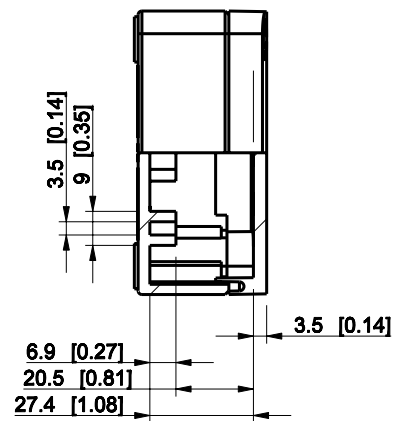
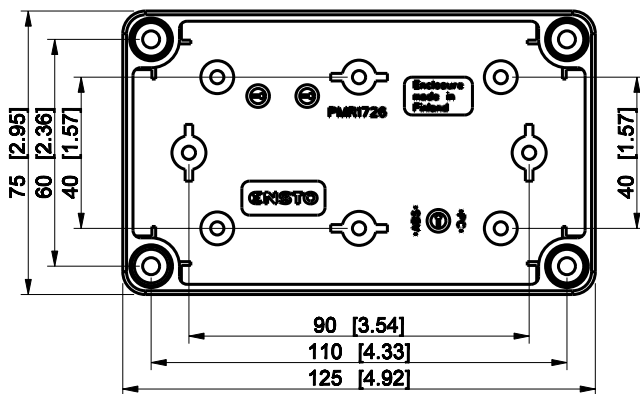
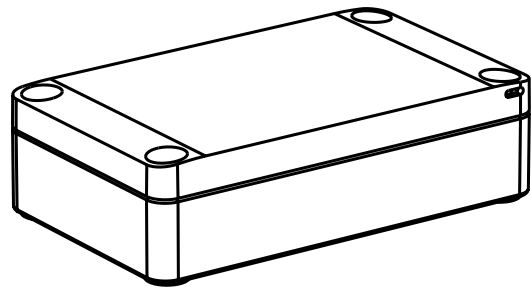
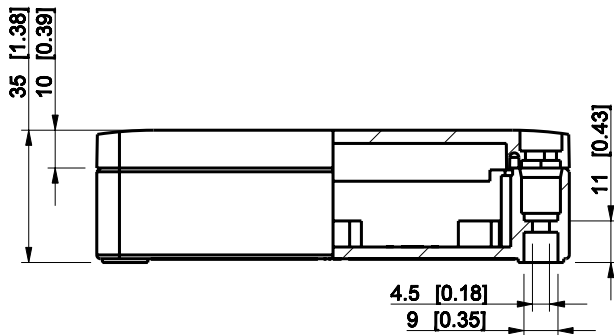


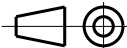
ID	Description	Date	By	Appr.
A				



Dimensions in mm [inches]

Material: ABS	Color: RAL 7035
---------------	-----------------

Supplier:	Tool No:	Weight [kg]: 0.12	Volume:
-----------	----------	-------------------	---------



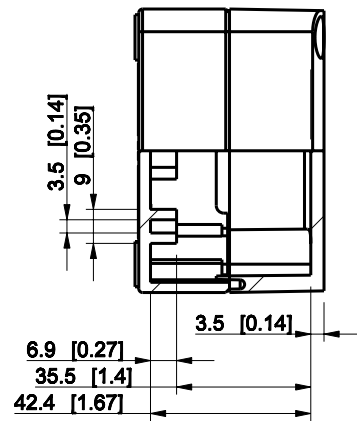
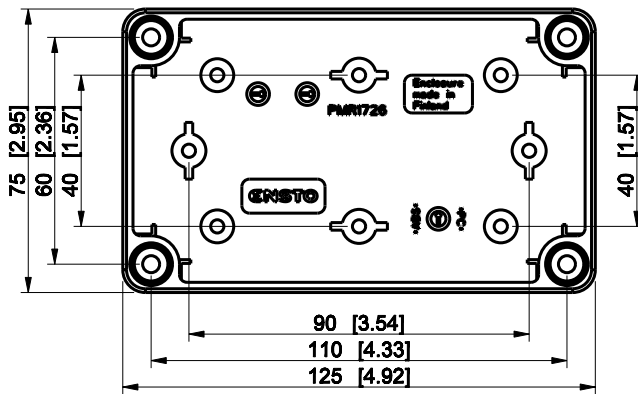
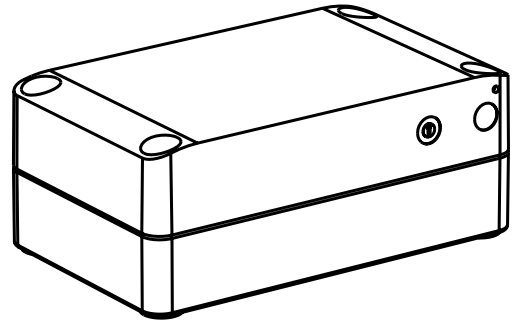
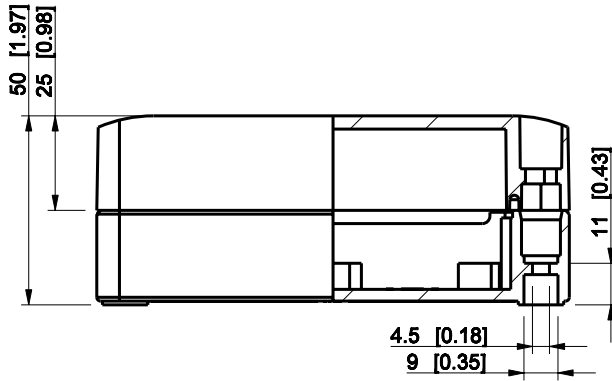
SABP081304LG

Scale	Date	04.12.08
1:2	By	PKos
-	Checked	
-	Ctrl	

Replaces:	
Replaced:	
Drw No:	- A
Ref:	Cubo S
Code:	SABP081304LG
Sheet No:	

model SABP081304LG PART
 drawing CUBOS_3_DRAWING

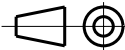
ID	Description	Date	By	Appr.
A				



Dimensions in mm [inches]

Material: ABS	Color: RAL 7035
---------------	-----------------

Supplier:	Tool No:	Weight [kg]: 0.15	Volume:
-----------	----------	-------------------	---------



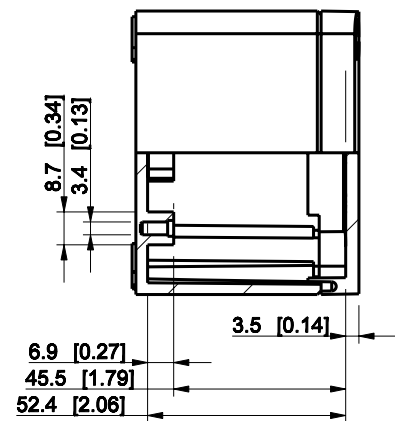
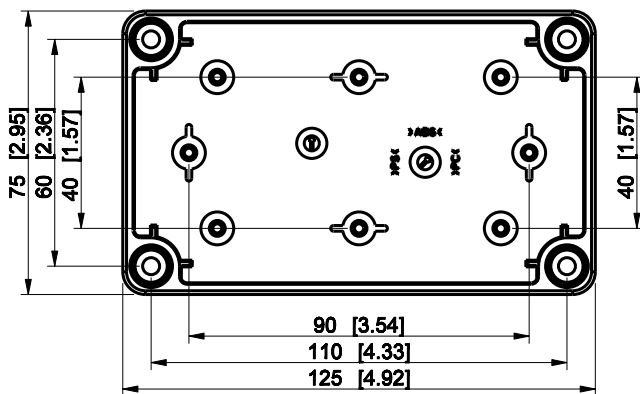
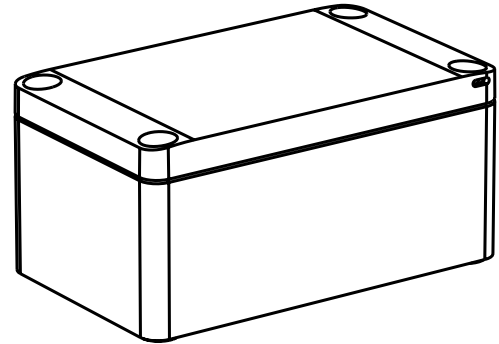
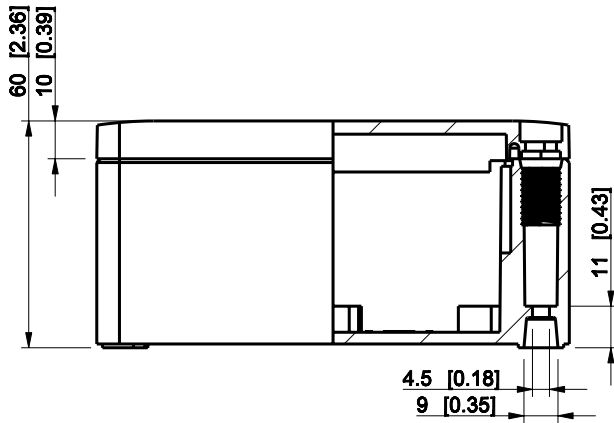
SABP081305LG

Scale	Date	04.12.08
1:2	By	PKos
-	Checked	
-	Ctrl	

Replaces:	
Replaced:	
Drw No:	- A
Ref:	Cubo S
Code:	SABP081305LG
Sheet No:	

model SABP081305LG PART
drawing CUBOS_4_DRAWING

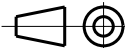
ID	Description	Date	By	Appr.
A				



Dimensions in mm [inches]

Material: ABS	Color: RAL 7035
---------------	-----------------

Supplier:	Tool No:	Weight [kg]: 0.16	Volume:
-----------	----------	-------------------	---------



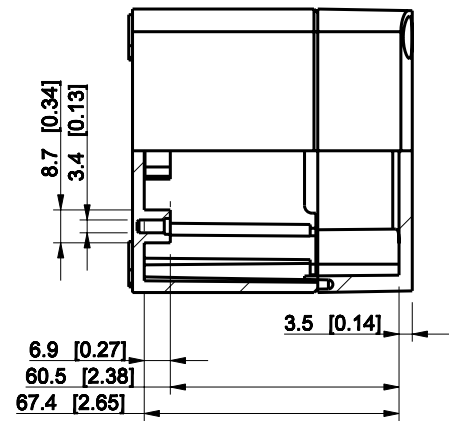
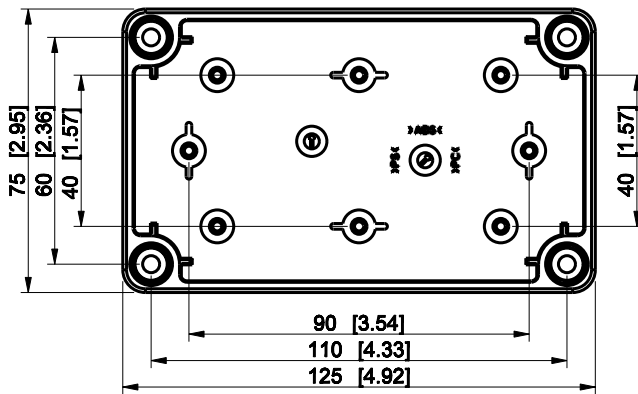
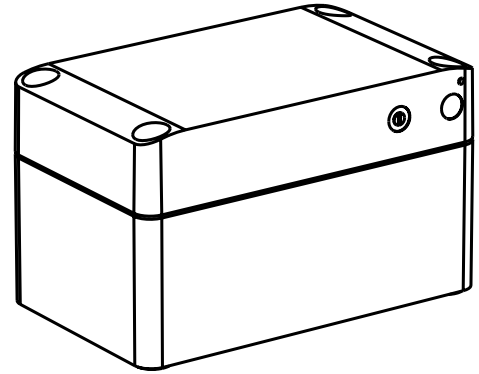
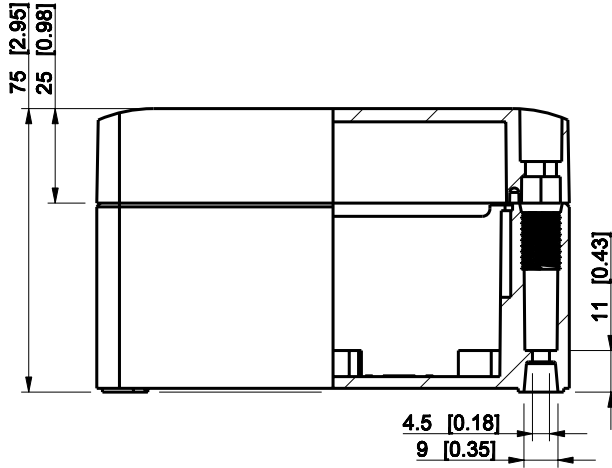
SABP081306G

Scale	Date	04.12.08
1:2	By	PKos
-	Checked	
-	Ctrl	

Replaces:
Replaced:
Drw No: - A
Ref: Cubo S
Code: SABP081306G
Sheet No:

model SABP081306G PART
 drawing CUBOS_2.DRAWING

ID	Description	Date	By	Appr.
A				

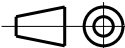


Dimensions in mm [inches]

Material: ABS	Color: RAL 7035
---------------	-----------------

Supplier:	Tool No:	Weight [kg]: 0.19	Volume:
-----------	----------	-------------------	---------

ENSTO
ENSTO CONTROL OY



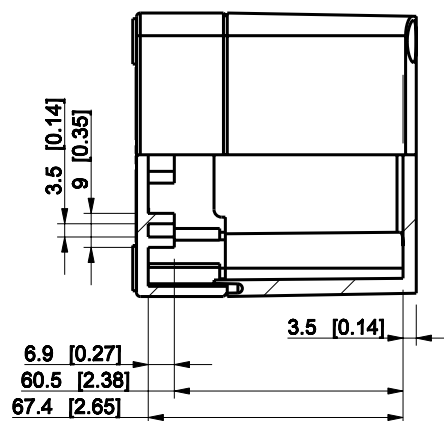
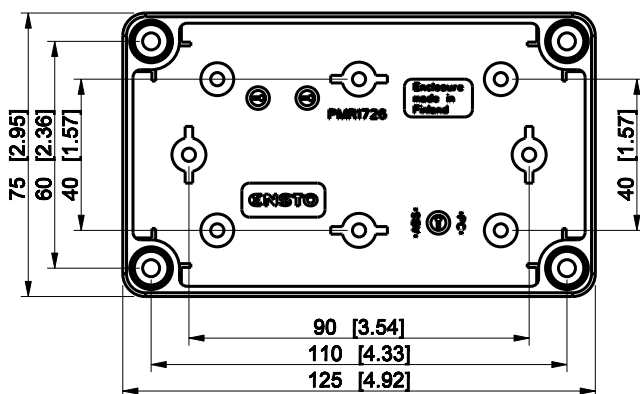
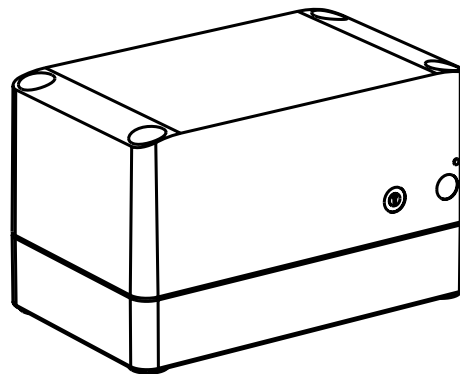
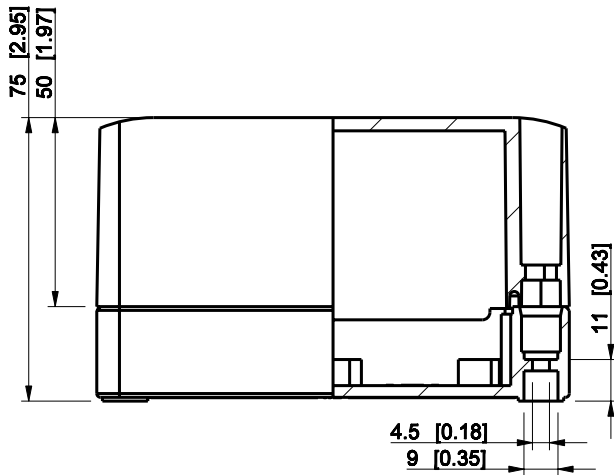
SABP081308G

Scale	Date	08.12.08
1:2	By	PKos
-	Checked	
-	Ctrl	

Replaces:
Replaced:
Drw No: - A
Ref: Cubo S
Code: SABP081308G
Sheet No:

model SABP081308G PART
drawing CUBOS DRAWING

ID	Description	Date	By	Appr.
A				

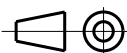


Dimensions in mm [inches]

Material: ABS	Color: RAL 7035
---------------	-----------------

Supplier:	Tool No:	Weight [kg]: 0.20	Volume:
-----------	----------	-------------------	---------

ENSTO
ENSTO CONTROL OY



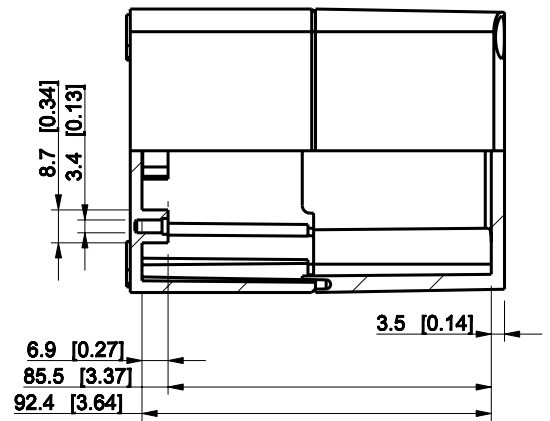
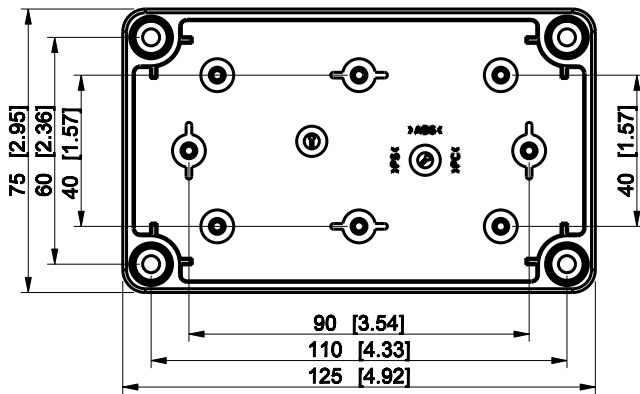
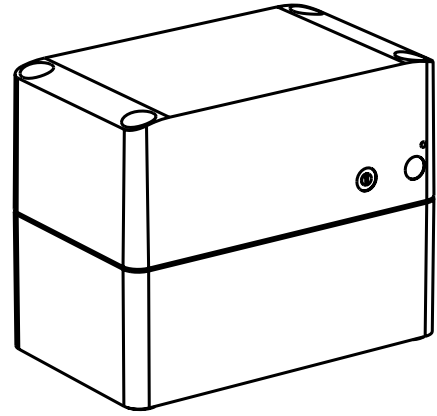
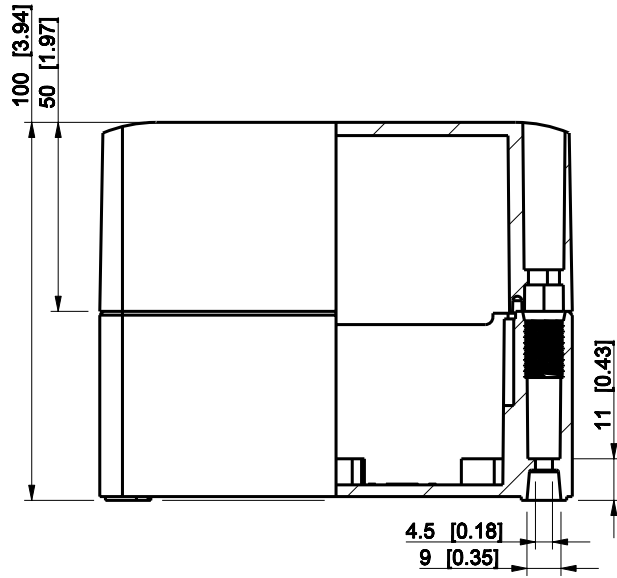
SABP081308LG

Scale	Date	04.12.08
1:2	By	PKos
-	Checked	
-	Ctrl	

Replaces:	
Replaced:	
Drw No:	- A
Ref:	Cubo S
Code:	SABP081308LG
Sheet No:	

model SABP081308LG PART
drawing CUBOS_4_DRAWING

ID	Description	Date	By	Appr.
A				

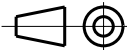


Dimensions in mm [inches]

Material: ABS	Color: RAL 7035
---------------	-----------------

Supplier:	Tool No:	Weight [kg]: 0.24	Volume:
-----------	----------	-------------------	---------

ENSTO
ENSTO CONTROL OY



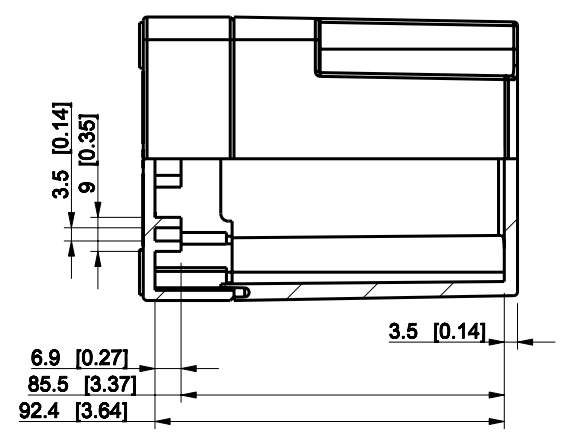
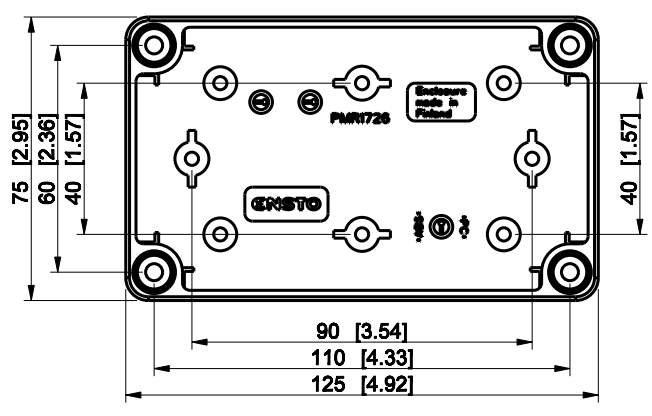
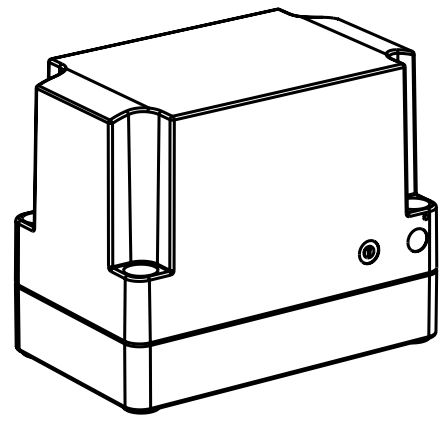
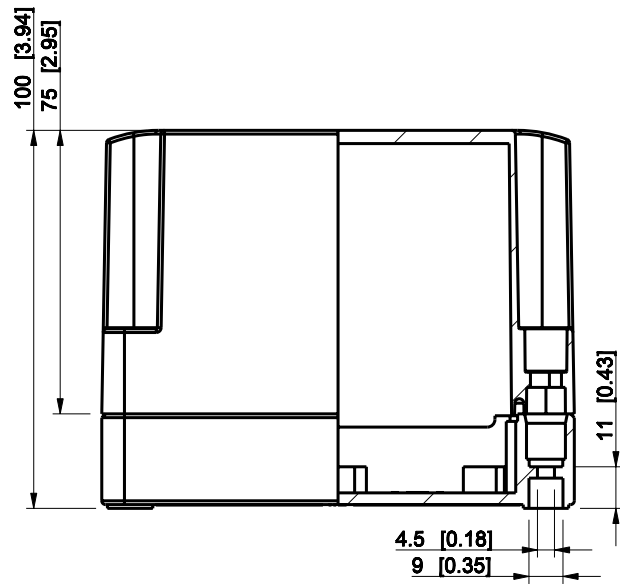
SABP081310G

Scale	Date	08.12.08
1:2	By	PKos
-	Checked	
-	Ctrl	

Replaces:
Replaced:
Drw No: - A
Ref: Cubo S
Code: SABP081310G
Sheet No:

model SABP081310G PART
drawing CUBOS DRAWING

ID	Description	Date	By	Appr.
A				



Dimensions in mm [inches]

Material: ABS	Color: RAL 7035
---------------	-----------------

Supplier:	Tool No:	Weight [kg]: 0.22	Volume:
-----------	----------	-------------------	---------



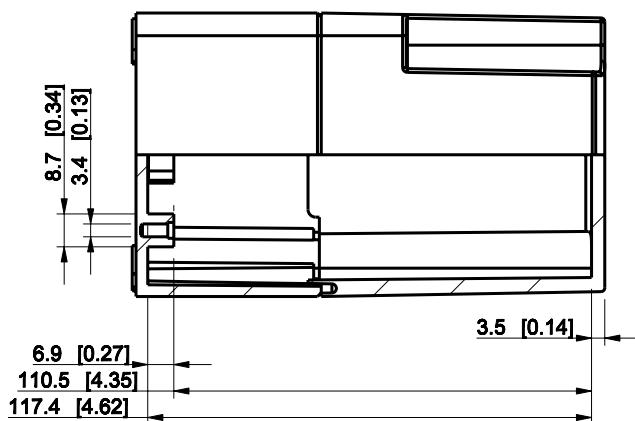
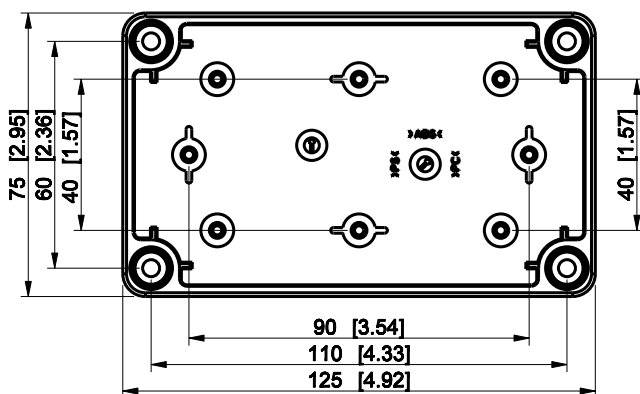
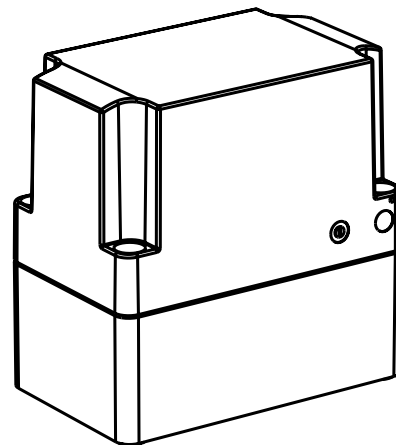
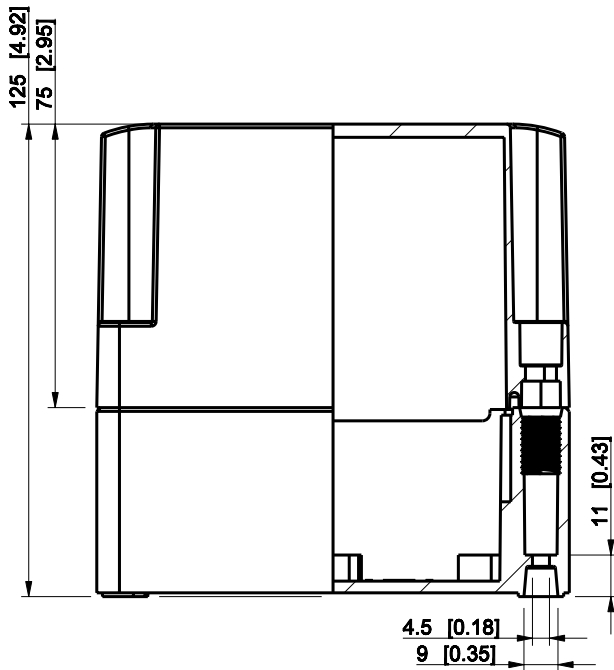
SABP081310LG

Scale	Date	04.12.08
1:2	By	PKos
-	Checked	
-	Ctrl	

Replaces:	
Replaced:	
Drw No:	- A
Ref:	Cubo S
Code:	SABP081310LG
Sheet No:	

model SABP081310LG PART
 drawing CUBOS_4_DRAWING

ID	Description	Date	By	Appr.
A				

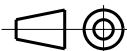


Dimensions in mm [inches]

Material: ABS	Color: RAL 7035
---------------	-----------------

Supplier:	Tool No:	Weight [kg]: 0.26	Volume:
-----------	----------	-------------------	---------

ENSTO
ENSTO CONTROL OY



SABP081313G

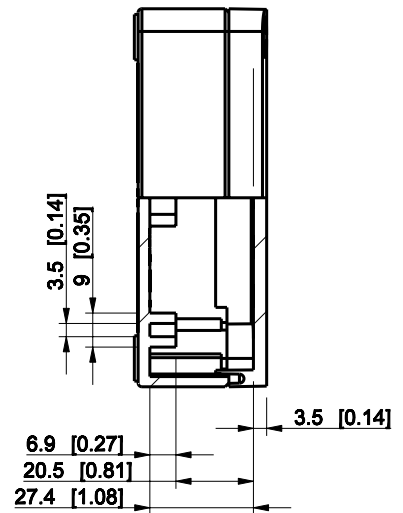
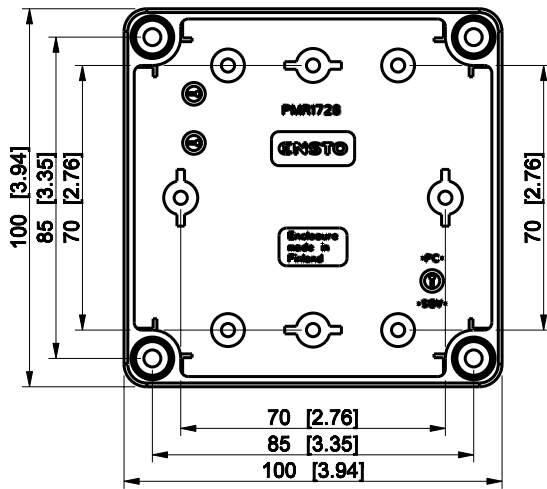
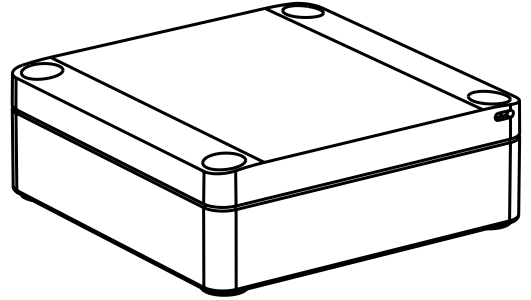
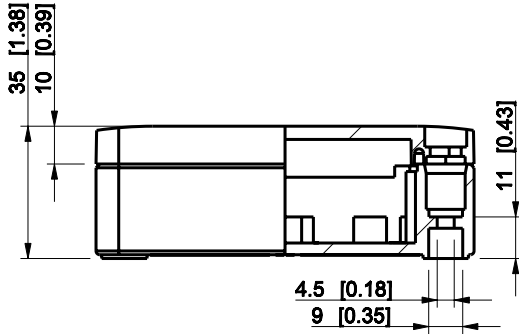
Scale	Date	08.12.08
1:2	By	PKos
-	Checked	
-	Ctrl	

Replaces:
Replaced:
Drw No: - A
Ref: Cubo S
Code: SABP081313G
Sheet No:

model SABP081313G PART

drawing CUBOS DRAWING

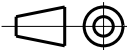
ID	Description	Date	By	Appr.
A				



Dimensions in mm [inches]

Material: ABS	Color: RAL 7035
---------------	-----------------

Supplier:	Tool No:	Weight [kg]: 0.12	Volume:
-----------	----------	-------------------	---------



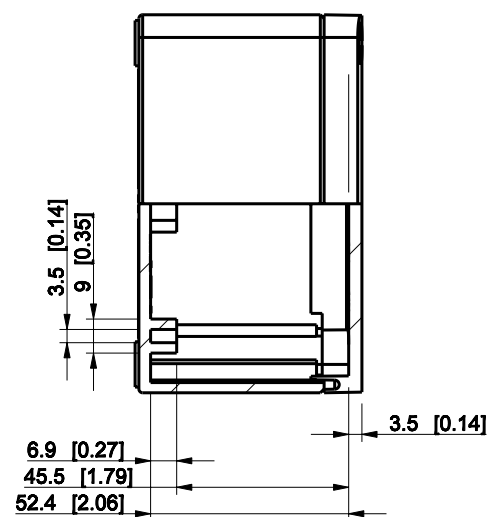
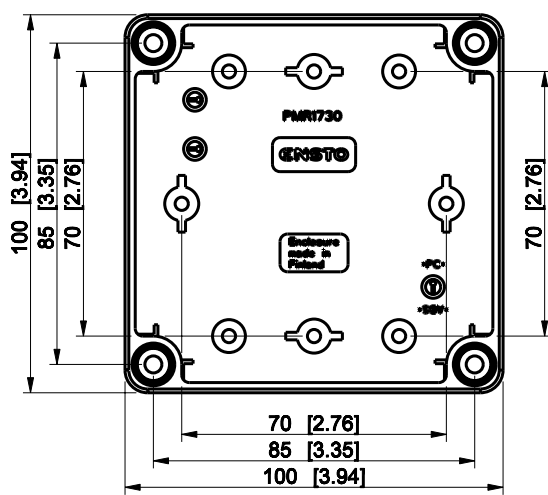
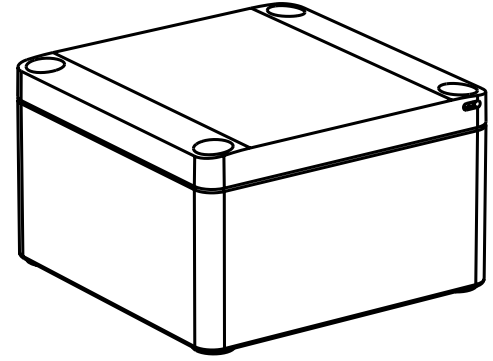
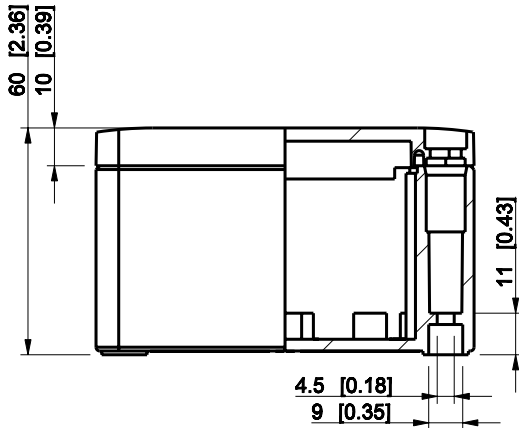
SABP101004LG

Scale	Date	04.12.08
1:2	By	PKos
-	Checked	
-	Ctrl	

Replaces:	
Replaced:	
Drw No:	- A
Ref:	Cubo S
Code:	SABP101004LG
Sheet No:	

model SABP101004LG PART
drawing CUBOS_3_DRAWING

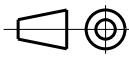
ID	Description	Date	By	Appr.
A				



Dimensions in mm [inches]

Material: ABS	Color: RAL 7035
---------------	-----------------

Supplier:	Tool No:	Weight [kg]: 0.17	Volume:
-----------	----------	-------------------	---------



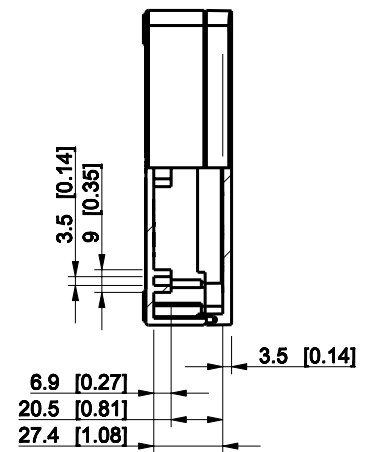
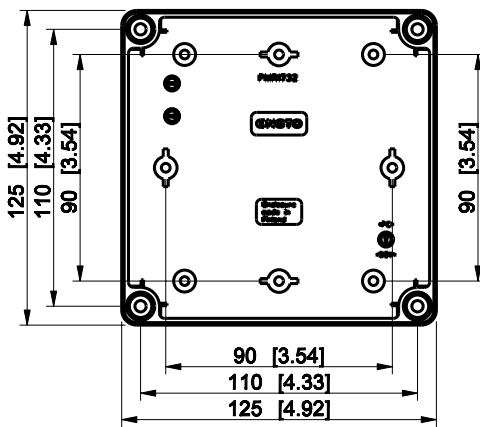
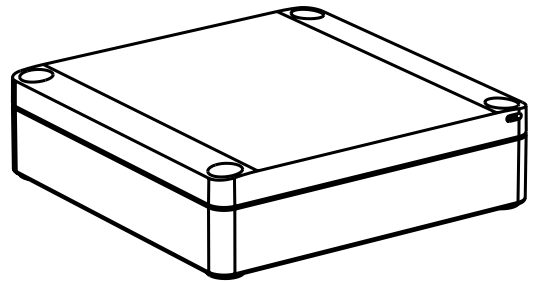
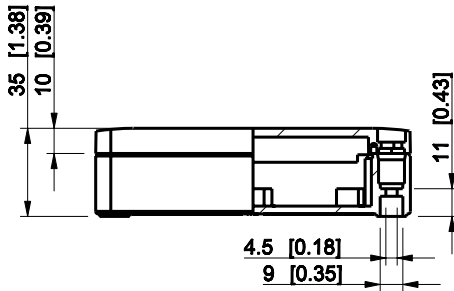
SABP101006G

Scale	Date	04.12.08
1:2	By	PKos
-	Checked	
-	Ctrl	

Replaces:
Replaced:
Drw No: - A
Ref: Cubo S
Code: SABP101006G
Sheet No:

model SABP101006G PART
drawing CUBOS_3_DRAWING

ID	Description	Date	By	Appr.
A				



Dimensions in mm [inches]

Material: ABS	Color: RAL 7035
---------------	-----------------

Supplier:	Tool No:	Weight [kg]: 0.18	Volume:
-----------	----------	-------------------	---------



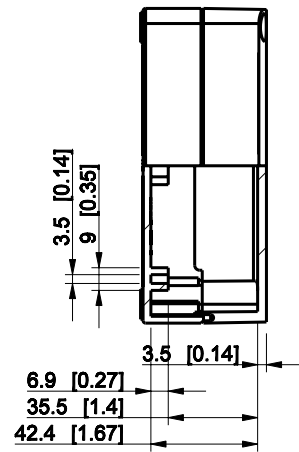
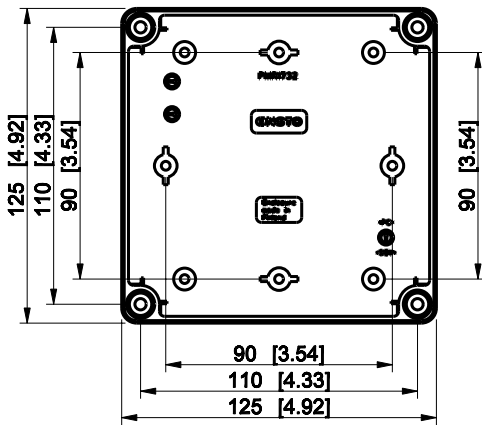
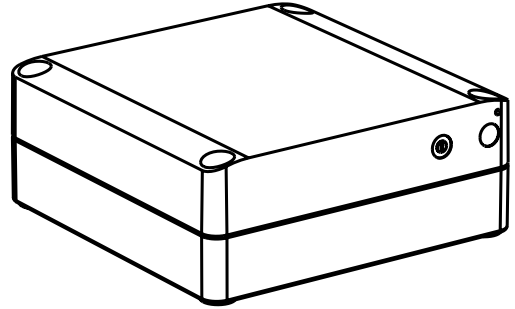
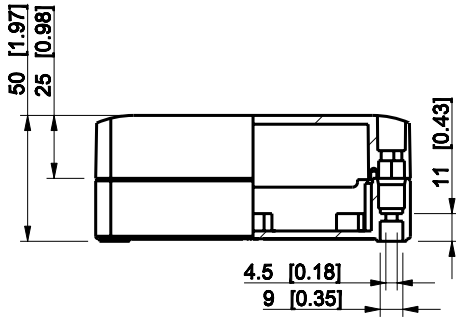
SABP131304LG

Scale	Date	04.12.08
1:3	By	PKos
-	Checked	
-	Ctrl	

Replaces:	
Replaced:	
Drw No:	- A
Ref:	Cubo S
Code:	SABP131304LG
Sheet No:	

model SABP131304LG PART
drawing CUBOS_3_DRAWING

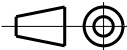
ID	Description	Date	By	Appr.
A				



Dimensions in mm [inches]

Material: ABS	Color: RAL 7035
---------------	-----------------

Supplier:	Tool No:	Weight [kg]: 0.22	Volume:
-----------	----------	-------------------	---------



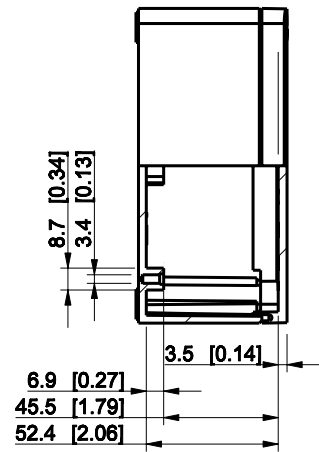
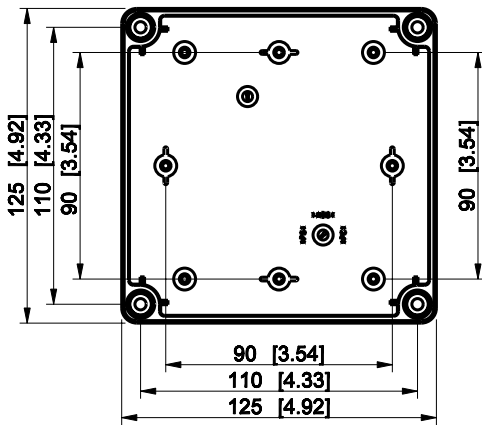
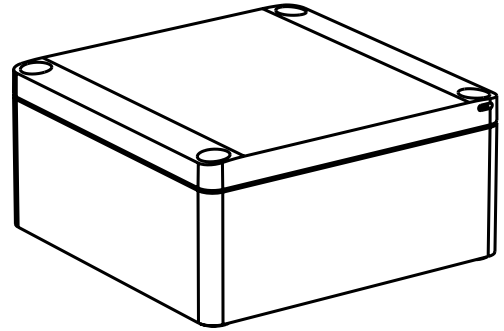
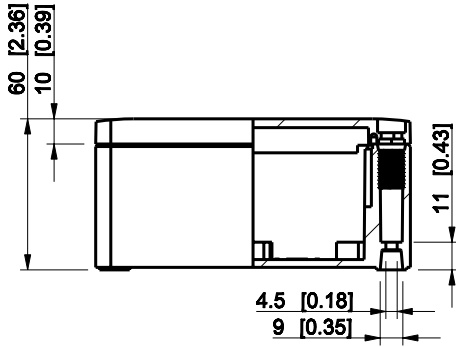
SABP131305LG

Scale	Date	04.12.08
1:3	By	PKos
-	Checked	
-	Ctrl	

Replaces:
Replaced:
Drw No: - A
Ref: Cubo S
Code: SABP131305LG
Sheet No:

model SABP131305LG PART
 drawing CUBOS_4.DWG

ID	Description	Date	By	Appr.
A				

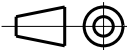


Dimensions in mm [inches]

Material: ABS	Color: RAL 7035
---------------	-----------------

Supplier:	Tool No:	Weight [kg]: 0.23	Volume:
-----------	----------	-------------------	---------

ENSTO
ENSTO CONTROL OY



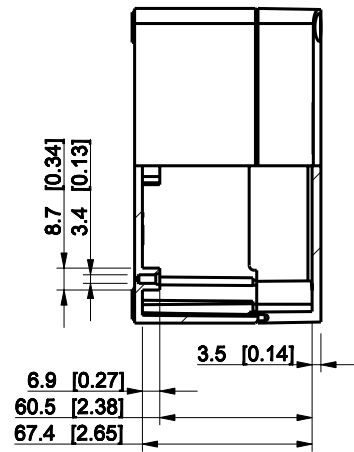
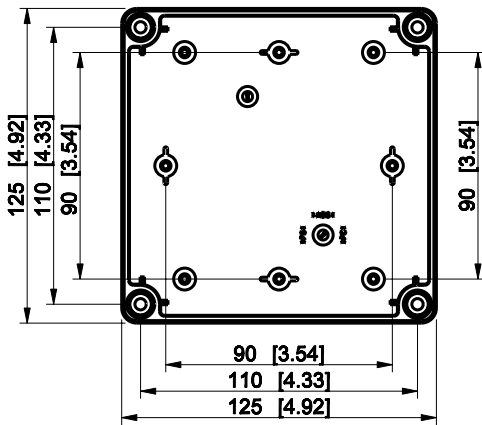
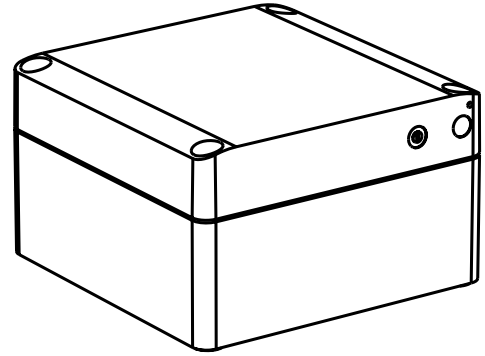
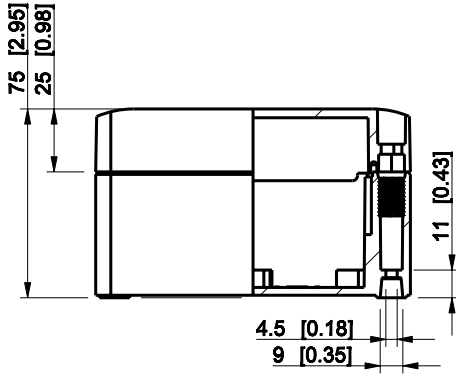
SABP131306G

Scale	Date	04.12.08
1:3	By	PKos
-	Checked	
-	Ctrl	

Replaces:
Replaced:
Drw No: - A
Ref: Cubo S
Code: SABP131306G
Sheet No:

model SABP131306G PART
drawing CUBOS_2_DRAWING

ID	Description	Date	By	Appr.
A				

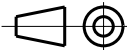


Dimensions in mm [inches]

Material: ABS	Color: RAL 7035
---------------	-----------------

Supplier:	Tool No:	Weight [kg]: 0.27	Volume:
-----------	----------	-------------------	---------

ENSTO
ENSTO CONTROL OY



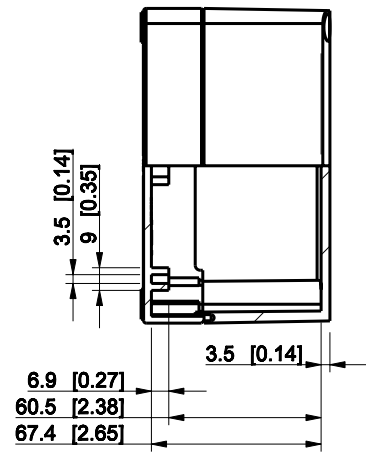
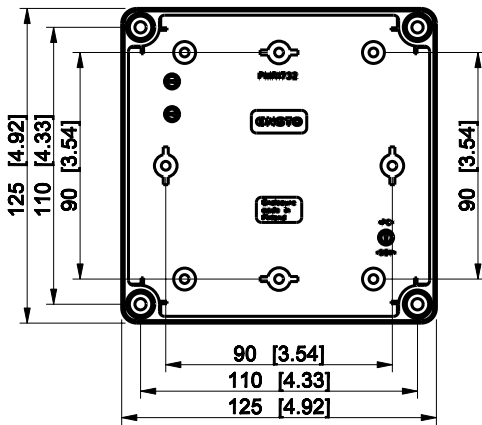
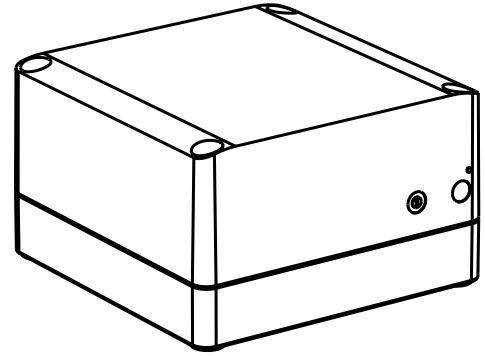
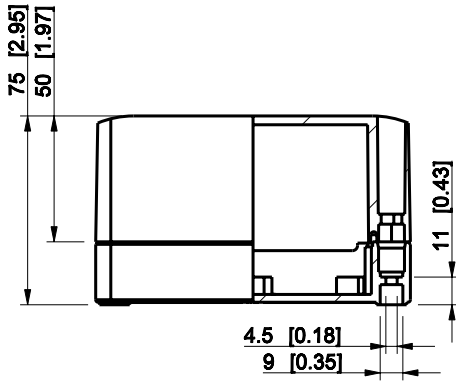
SABP131308G

Scale	Date	08.12.08
1:3	By	PKos
-	Checked	
-	Ctrl	

Replaces:
Replaced:
Drw No: - A
Ref: Cubo S
Code: SABP131308G
Sheet No:

model SABP131308G PART
 drawing CUBOS DRAWING

ID	Description	Date	By	Appr.
A				



Dimensions in mm [inches]

Material: ABS	Color: RAL 7035
---------------	-----------------

Supplier:	Tool No:	Weight [kg]: 0.28	Volume:
-----------	----------	-------------------	---------



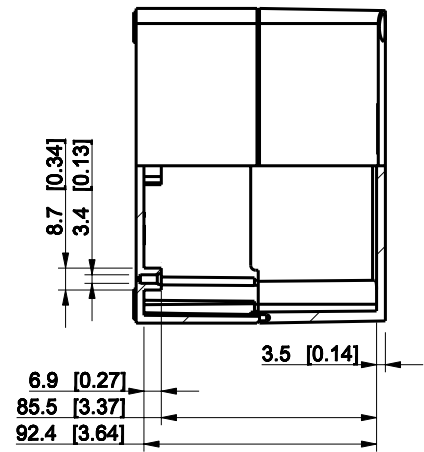
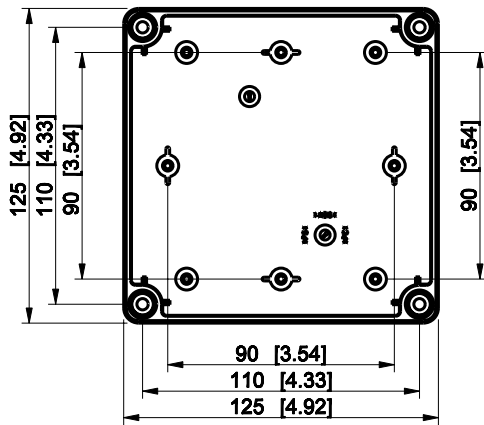
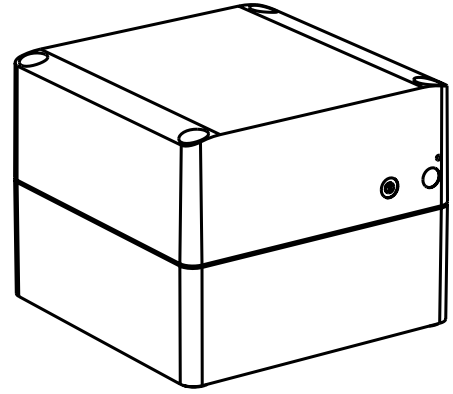
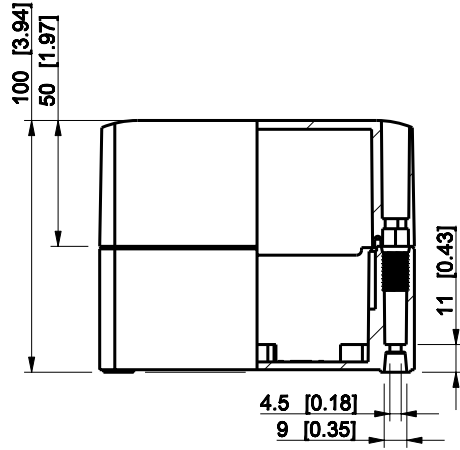
SABP131308LG

Scale	Date	04.12.08
1:3	By	PKos
-	Checked	
-	Ctrl	

Replaces:
Replaced:
Drw No: - A
Ref: Cubo S
Code: SABP131308LG
Sheet No:

model SABP131308LG PART
 drawing CUBOS_4_DRAWING

ID	Description	Date	By	Appr.
A				

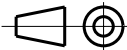


Dimensions in mm [inches]

Material: ABS	Color: RAL 7035
---------------	-----------------

Supplier:	Tool No:	Weight [kg]: 0.33	Volume:
-----------	----------	-------------------	---------

ENSTO
ENSTO CONTROL OY



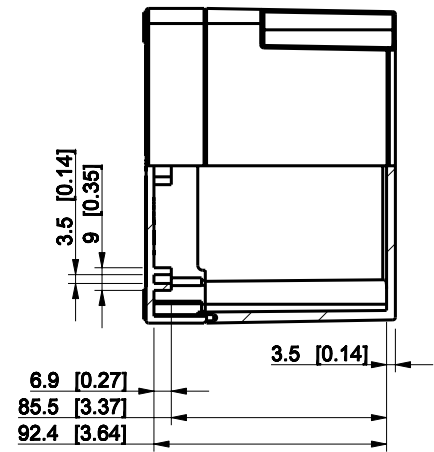
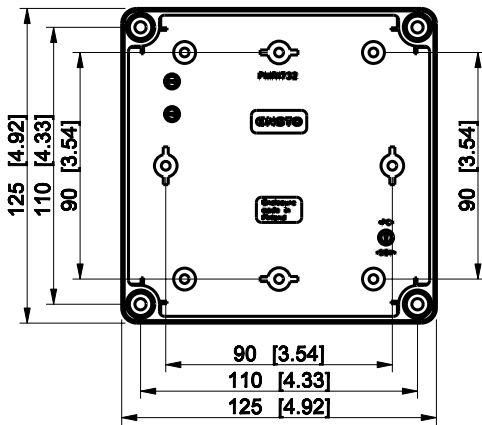
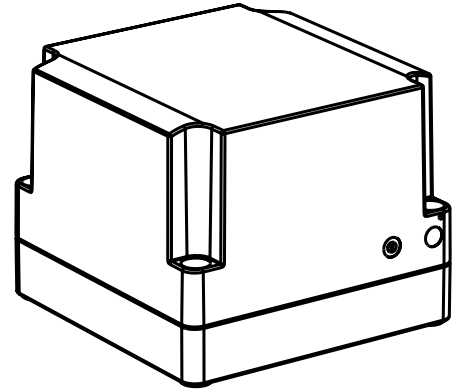
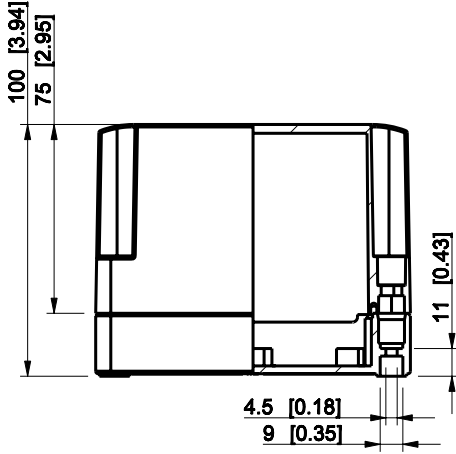
SABP131310G

Scale	Date	08.12.08
1:3	By	PKos
-	Checked	
-	Ctrl	

Replaces:	
Replaced:	
Drw No:	- A
Ref:	Cubo S
Code:	SABP131310G
Sheet No:	

model SABP131310G PART
drawing CUBOS DRAWING

ID	Description	Date	By	Appr.
A				

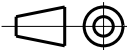


Dimensions in mm [inches]

Material: ABS	Color: RAL 7035
---------------	-----------------

Supplier:	Tool No:	Weight [kg]: 0.31	Volume:
-----------	----------	-------------------	---------

ENSTO
ENSTO CONTROL OY



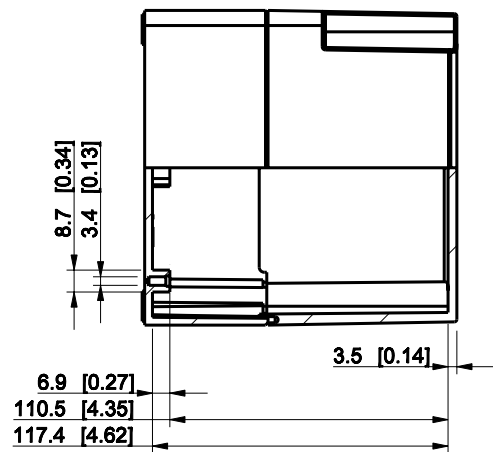
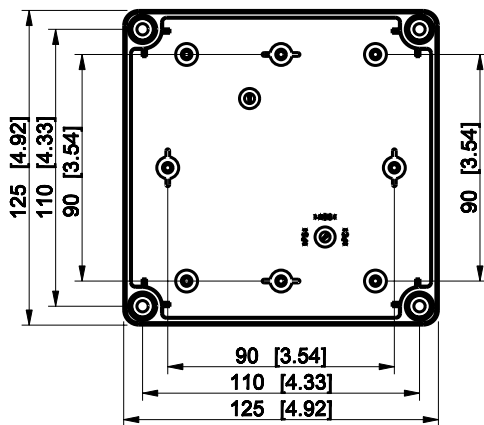
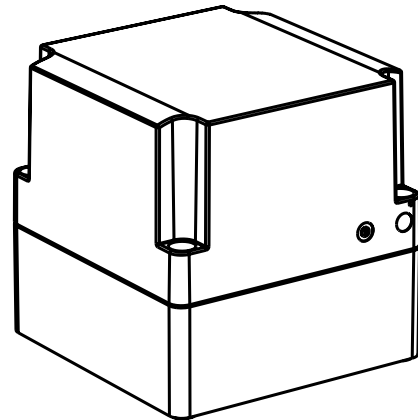
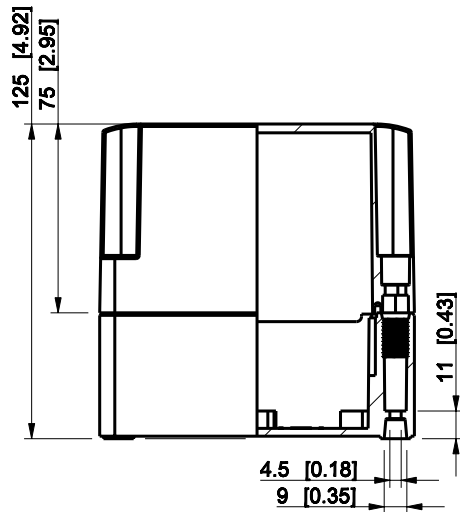
SABP131310LG

Scale	Date	04.12.08
1:3	By	PKos
-	Checked	
-	Ctrl	

Replaces:	
Replaced:	
Drw No:	- A
Ref:	Cubo S
Code:	SABP131310LG
Sheet No:	

model SABP131310LG PART
drawing CUBOS_4_DRAWING

ID	Description	Date	By	Appr.
A				

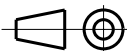


Dimensions in mm [inches]

Material: ABS	Color: RAL 7035
---------------	-----------------

Supplier:	Tool No:	Weight [kg]: 0.36	Volume:
-----------	----------	-------------------	---------

ENSTO
ENSTO CONTROL OY



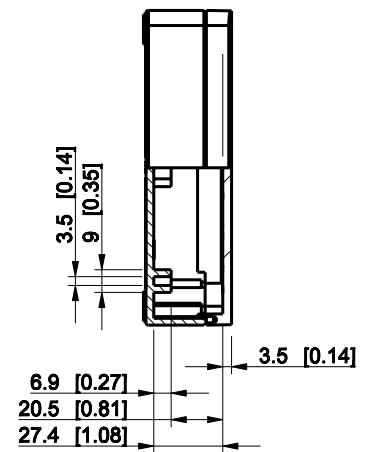
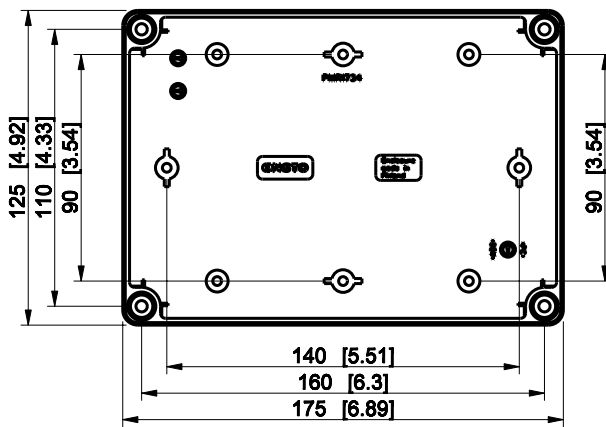
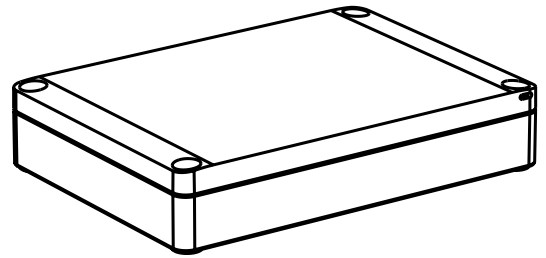
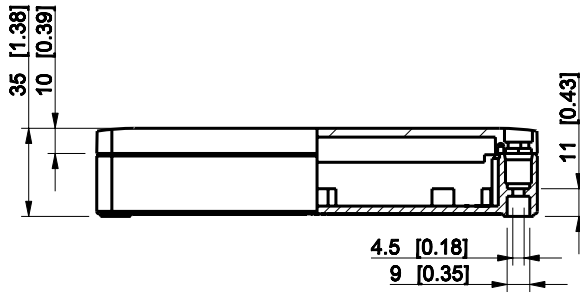
SABP131313G

Scale	Date	08.12.08
1:3	By	PKos
-	Checked	
-	Ctrl	

Replaces:
Replaced:
Drw No: - A
Ref: Cubo S
Code: SABP131313G
Sheet No:

model SABP131313G PART
drawing CUBOS DRAWING

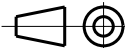
ID	Description	Date	By	Appr.
A				



Dimensions in mm [inches]

Material: ABS	Color: RAL 7035
---------------	-----------------

Supplier:	Tool No:	Weight [kg]: 0.24	Volume:
-----------	----------	-------------------	---------



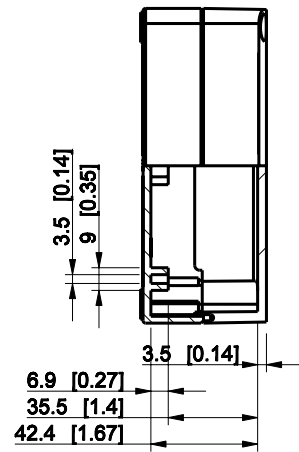
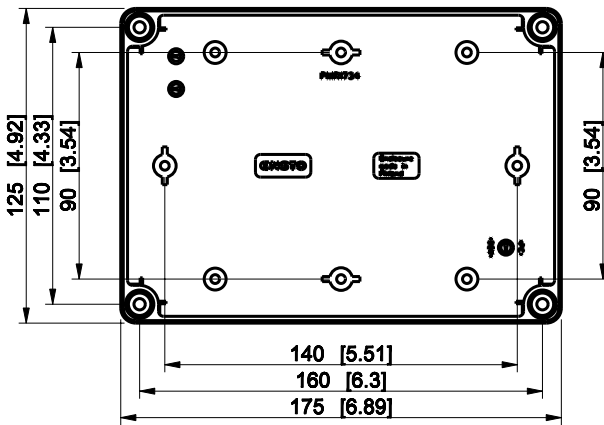
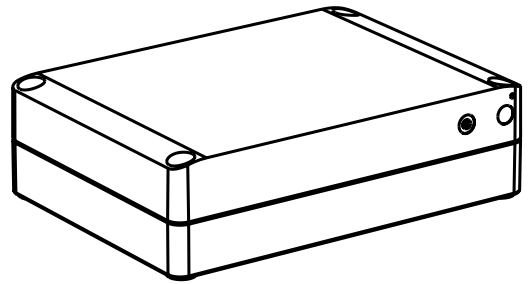
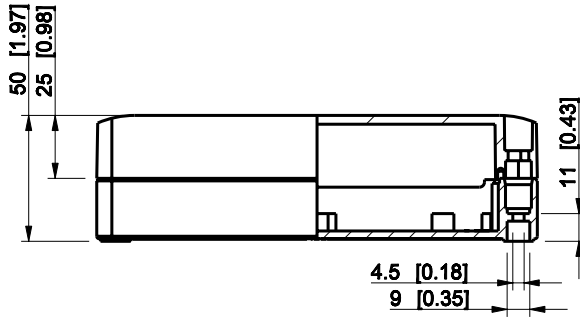
SABP131804LG

Scale	Date	04.12.08
1:3	By	PKos
-	Checked	
-	Ctrl	

Replaces:
Replaced:
Drw No: - A
Ref: Cubo S
Code: SABP131804LG
Sheet No:

model SABP131804LG PART
 drawing CUBOS_3_DRAWING

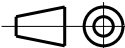
ID	Description	Date	By	Appr.
A				



Dimensions in mm [inches]

Material: ABS	Color: RAL 7035
---------------	-----------------

Supplier:	Tool No:	Weight [kg]: 0.28	Volume:
-----------	----------	-------------------	---------



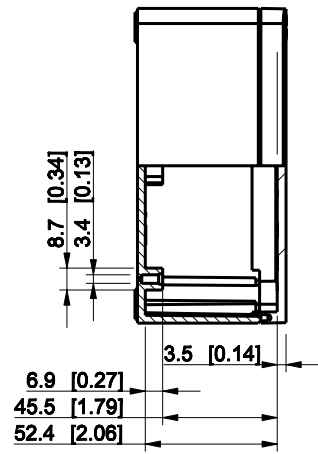
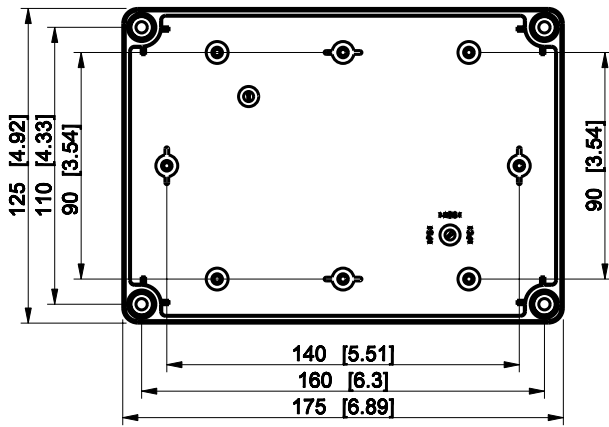
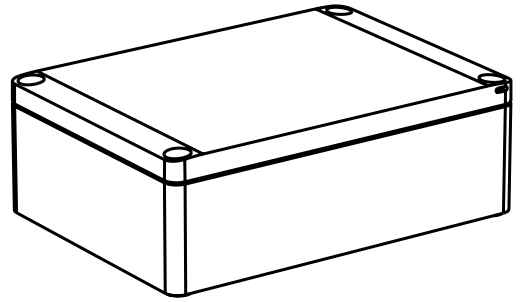
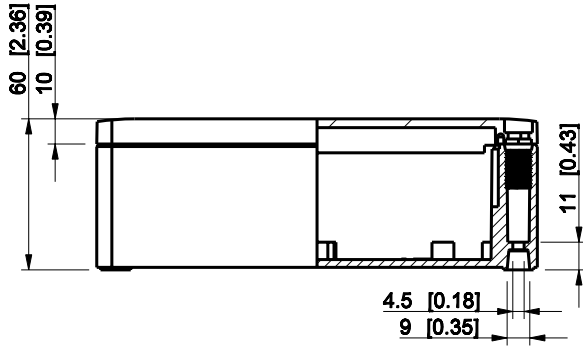
SABP131805LG

Scale	Date	04.12.08
1:3	By	PKos
-	Checked	
-	Ctrl	

Replaces:
Replaced:
Drw No: - A
Ref: Cubo S
Code: SABP131805LG
Sheet No:

model SABP131805LG PART
 drawing CUBOS_4_DRAWING

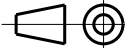
ID	Description	Date	By	Appr.
A				



Dimensions in mm [inches]

Material: ABS	Color: RAL 7035
---------------	-----------------

Supplier:	Tool No:	Weight [kg]: 0.30	Volume:
-----------	----------	-------------------	---------



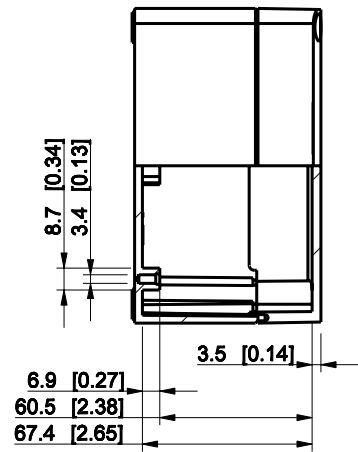
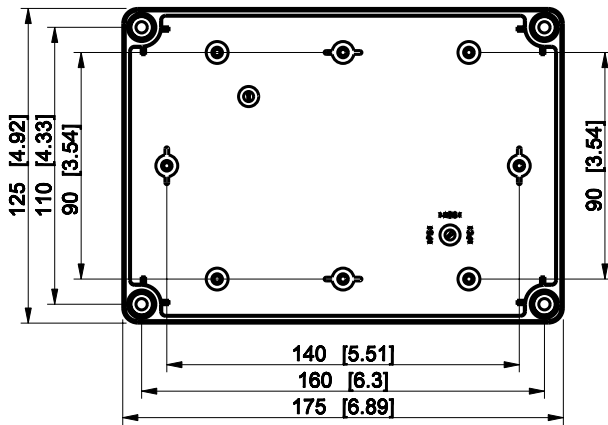
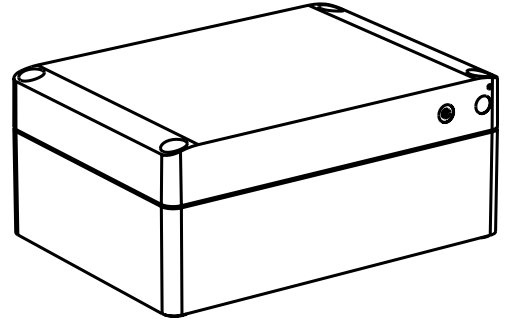
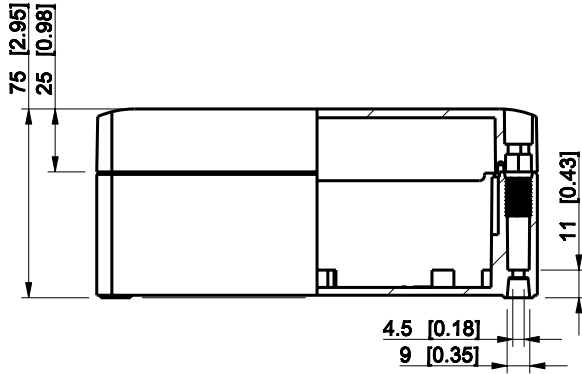
SABP131806G

Scale	Date	04.12.08
1:3	By	PKos
-	Checked	
-	Ctrl	

Replaces:
Replaced:
Drw No: - A
Ref: Cubo S
Code: SABP131806G
Sheet No:

model SABP131806G PART
drawing CUBOS_2_DRAWING

ID	Description	Date	By	Appr.
A				

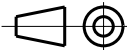


Dimensions in mm [inches]

Material: ABS	Color: RAL 7035
---------------	-----------------

Supplier:	Tool No:	Weight [kg]: 0.34	Volume:
-----------	----------	-------------------	---------

ENSTO
ENSTO CONTROL OY



SABP131808G

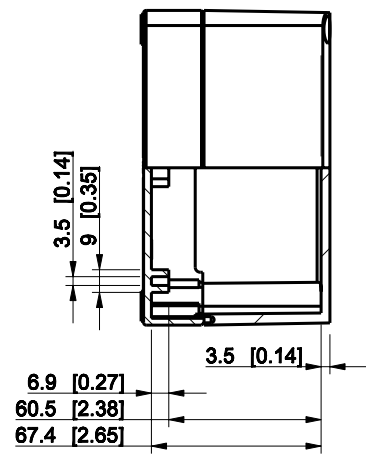
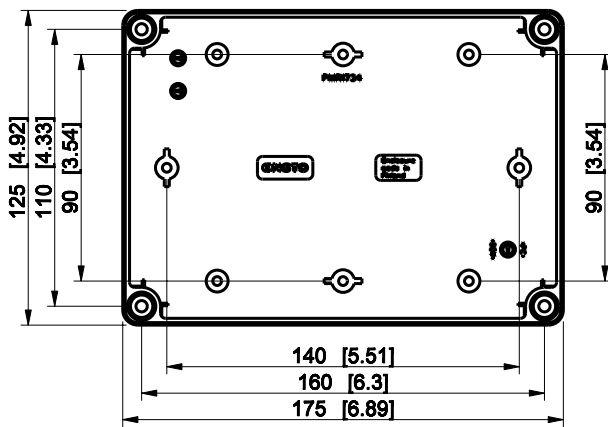
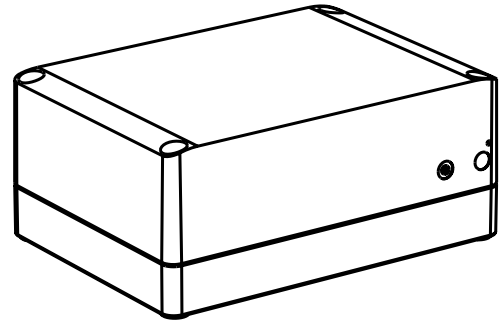
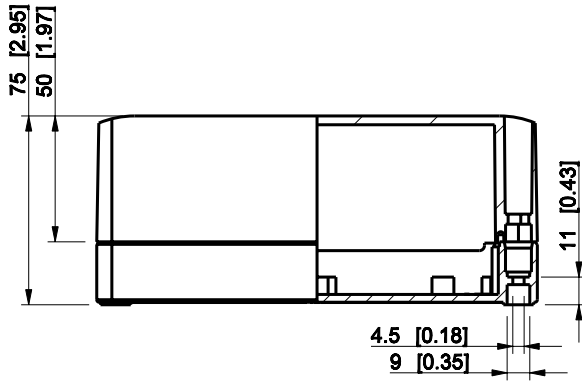
Scale	Date	08.12.08
1:3	By	PKos
-	Checked	
-	Ctrl	

Replaces:
Replaced:
Drw No: - A
Ref: Cubo S
Code: SABP131808G
Sheet No:

model SABP131808G PART

drawing CUBOS DRAWING

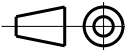
ID	Description	Date	By	Appr.
A				



Dimensions in mm [inches]

Material: ABS	Color: RAL 7035
---------------	-----------------

Supplier:	Tool No:	Weight [kg]: 0.36	Volume:
-----------	----------	-------------------	---------



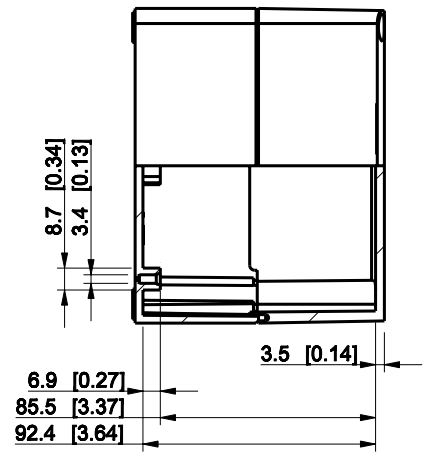
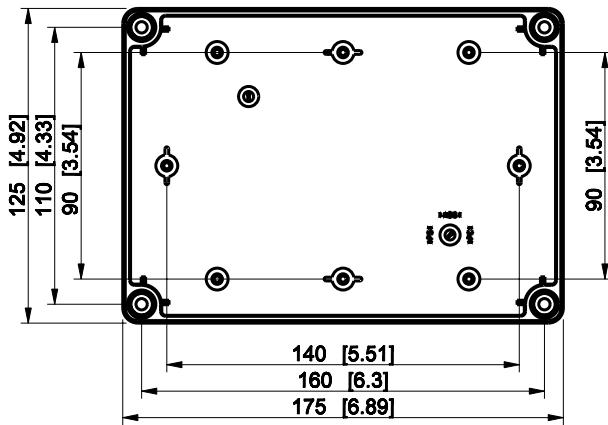
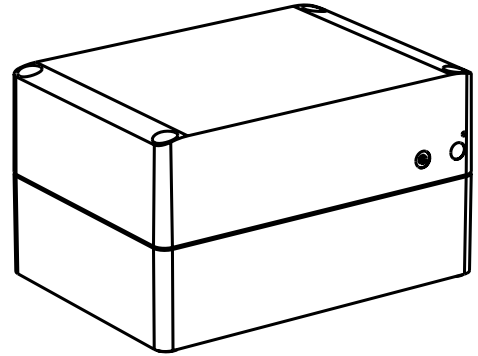
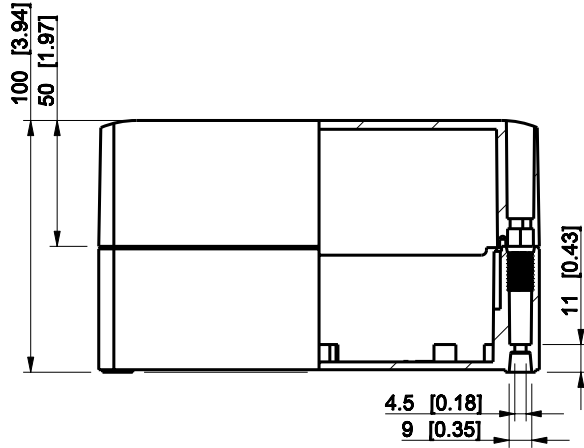
SABP131808LG

Scale	Date	04.12.08
1:3	By	PKos
-	Checked	
-	Ctrl	

Replaces:
Replaced:
Drw No: - A
Ref: Cubo S
Code: SABP131808LG
Sheet No:

model SABP131808LG PART
drawing CUBOS_4_DRAWING

ID	Description	Date	By	Appr.
A				

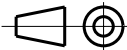


Dimensions in mm [inches]

Material: ABS	Color: RAL 7035
---------------	-----------------

Supplier:	Tool No:	Weight [kg]: 0.42	Volume:
-----------	----------	-------------------	---------

ENSTO
ENSTO CONTROL OY



SABP131810G

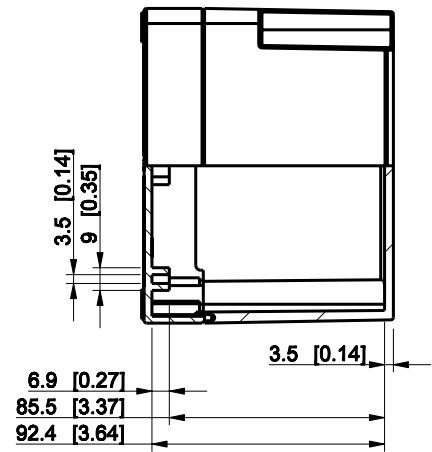
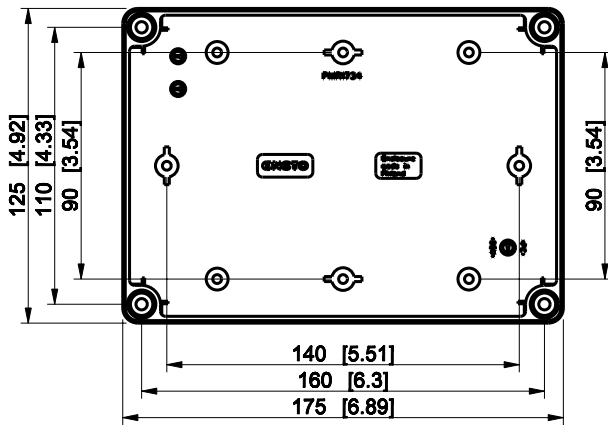
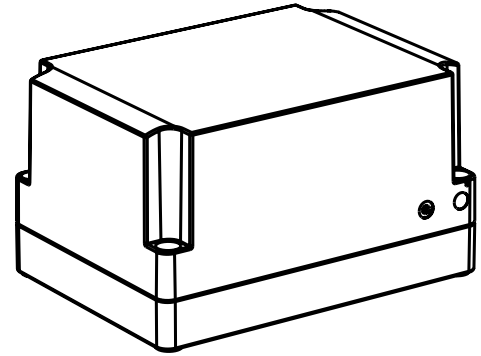
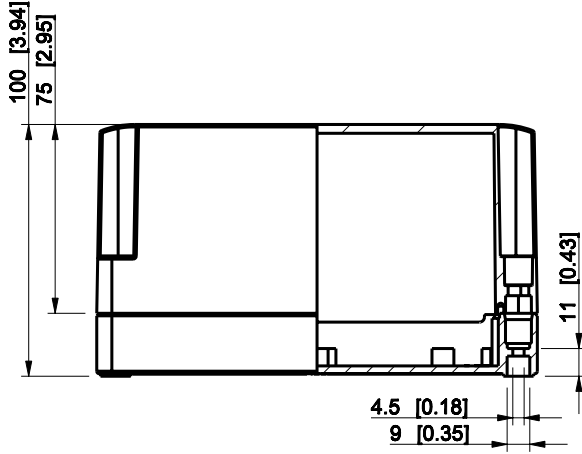
Scale	Date	08.12.08
1:3	By	PKos
-	Checked	
-	Ctrl	

Replaces:
Replaced:
Drw No: - A
Ref: Cubo S
Code: SABP131810G
Sheet No:

model SABP131810G PART

drawing CUBOS DRAWING

ID	Description	Date	By	Appr.
A				



Dimensions in mm [inches]

Material: ABS	Color: RAL 7035
---------------	-----------------

Supplier:	Tool No:	Weight [kg]: 0.40	Volume:
-----------	----------	-------------------	---------



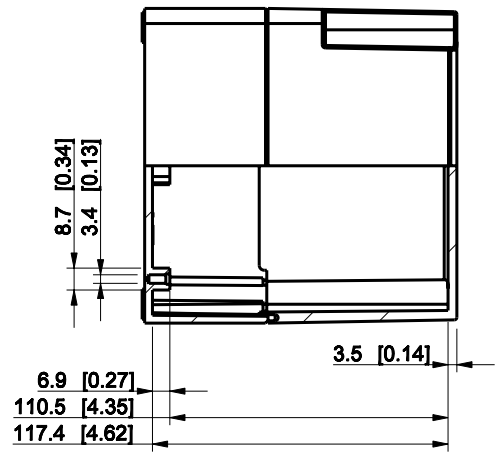
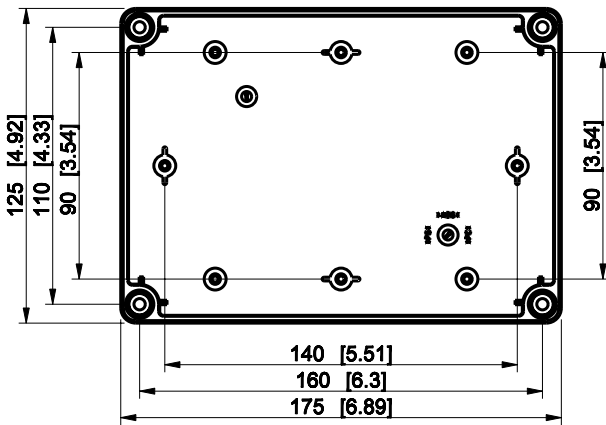
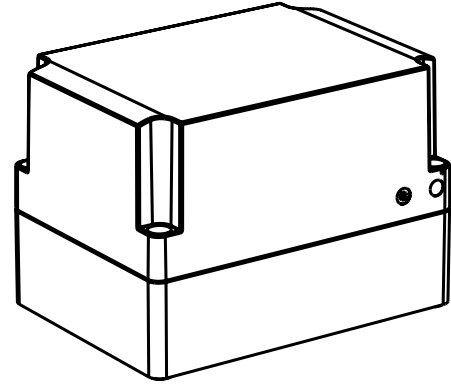
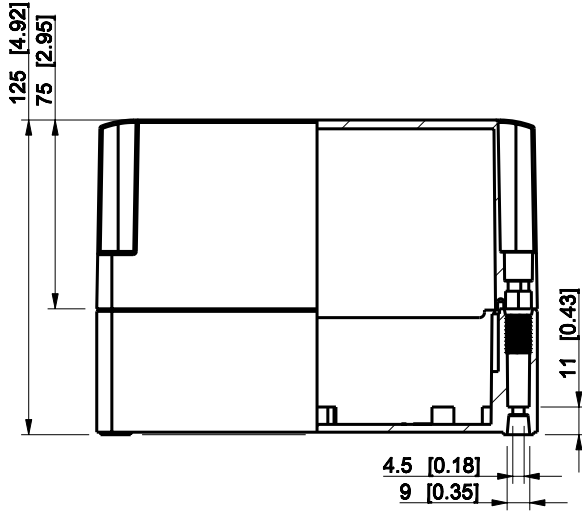
SABP131810LG

Scale	Date	04.12.08
1:3	By	PKos
-	Checked	
-	Ctrl	

Replaces:	
Replaced:	
Drw No:	- A
Ref:	Cubo S
Code:	SABP131810LG
Sheet No:	

model SABP131810LG PART
drawing CUBOS_4.DWG

ID	Description	Date	By	Appr.
A				

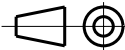


Dimensions in mm [inches]

Material: ABS	Color: RAL 7035
---------------	-----------------

Supplier:	Tool No:	Weight [kg]: 0.46	Volume:
-----------	----------	-------------------	---------

ENSTO
ENSTO CONTROL OY



SABP131813G

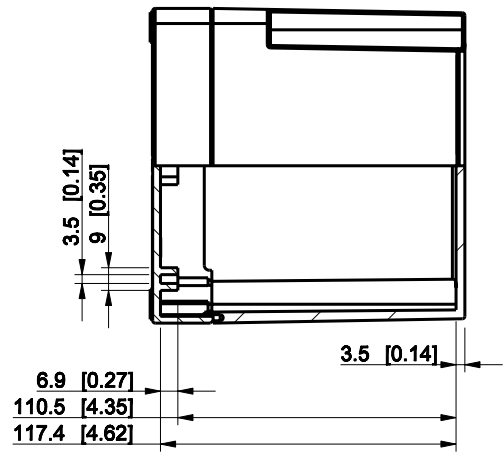
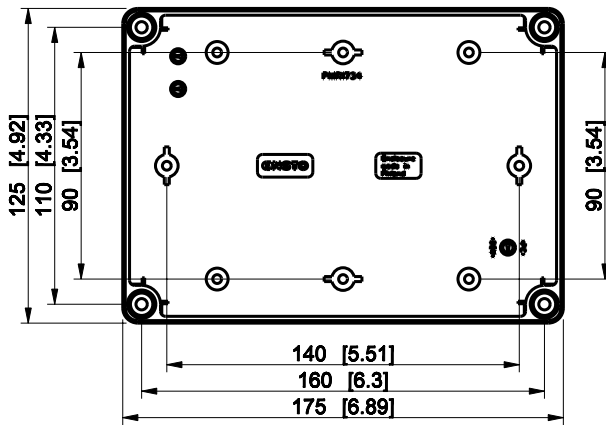
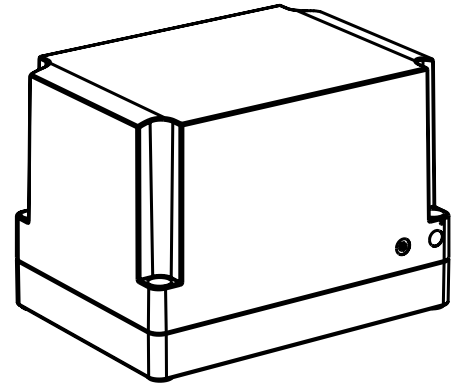
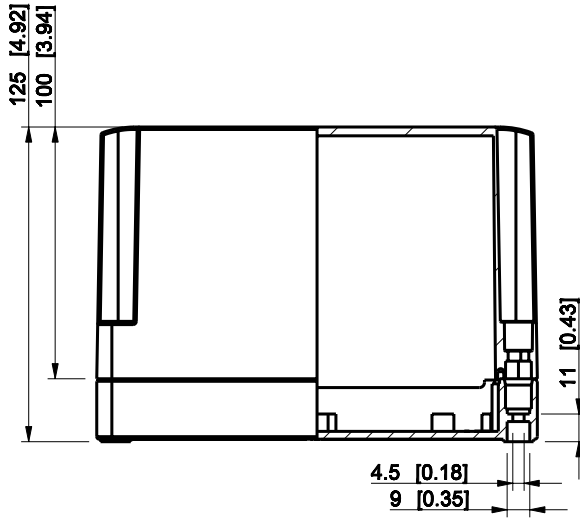
Scale	Date	08.12.08
1:3	By	PKos
-	Checked	
-	Ctrl	

Replaces:
Replaced:
Drw No: - A
Ref: Cubo S
Code: SABP131813G
Sheet No:

model SABP131813G PART

drawing CUBOS DRAWING

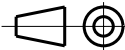
ID	Description	Date	By	Appr.
A				



Dimensions in mm [inches]

Material: ABS	Color: RAL 7035
---------------	-----------------

Supplier:	Tool No:	Weight [kg]: 0.92	Volume:
-----------	----------	-------------------	---------



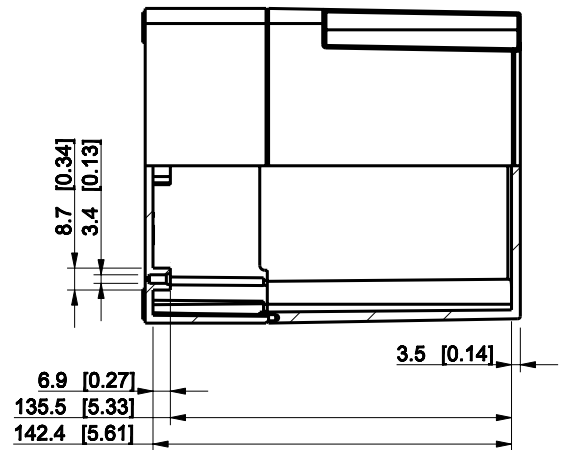
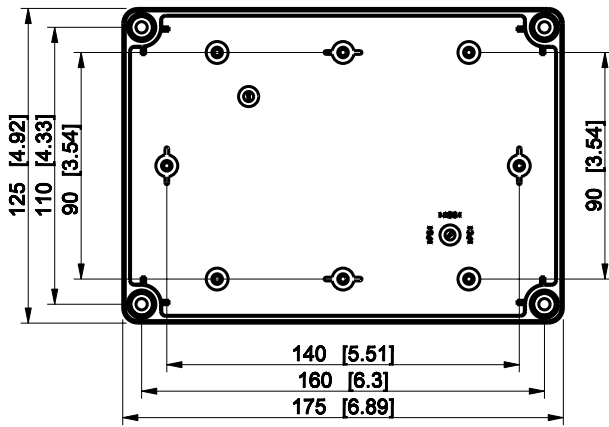
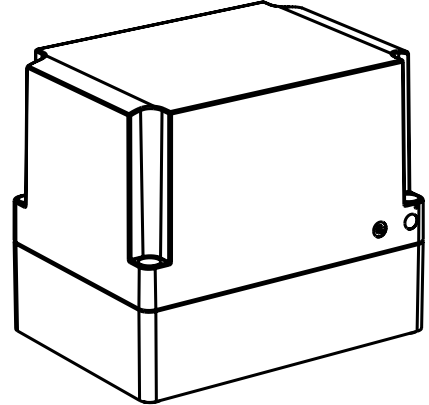
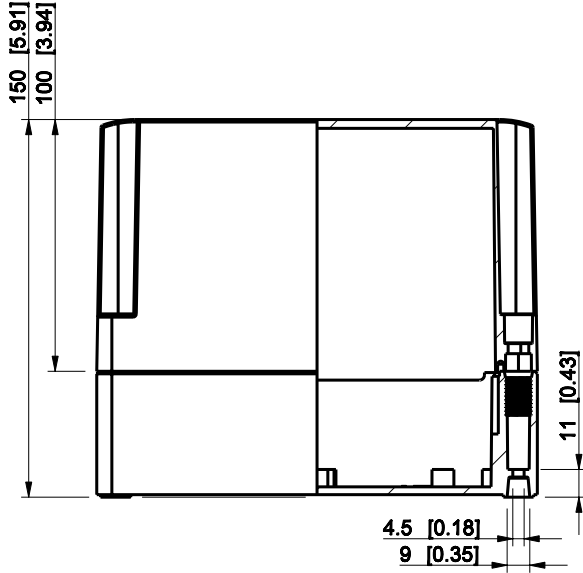
SABP131813LG

Scale	Date	04.12.08
1:3	By	PKos
-	Checked	
-	Ctrl	

Replaces:
Replaced:
Drw No: - A
Ref: Cubo S
Code: SABP131813LG
Sheet No:

model SABP131813LG PART
drawing CUBOS_4.DRAWING

ID	Description	Date	By	Appr.
A				



Dimensions in mm [inches]

Material: ABS	Color: RAL 7035
---------------	-----------------

Supplier:	Tool No:	Weight [kg]: 0.52	Volume:
-----------	----------	-------------------	---------



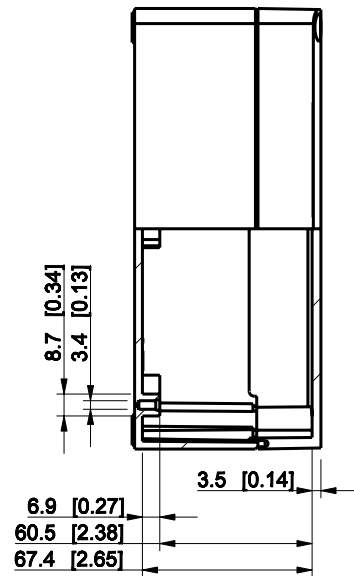
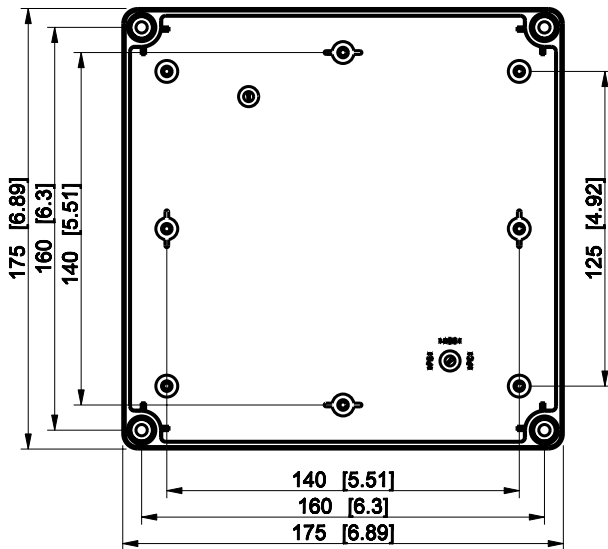
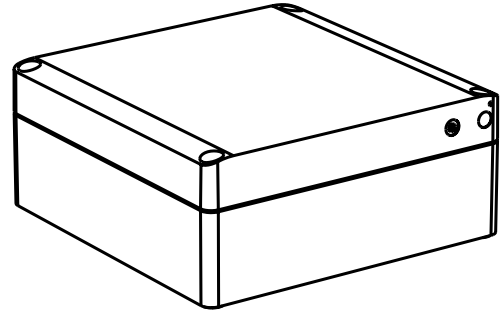
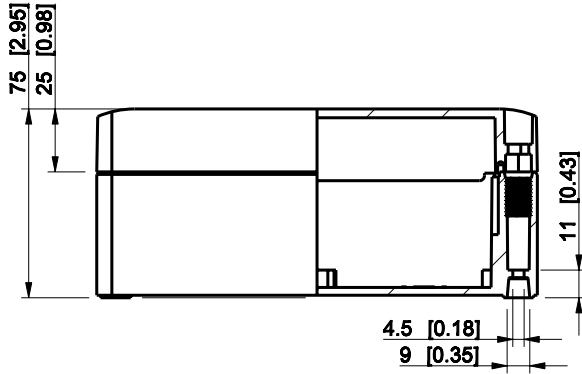
SABP131815G

Scale	Date	08.12.08
1:3	By	PKos
-	Checked	
-	Ctrl	

Replaces:
Replaced:
Drw No: - A
Ref: Cubo S
Code: SABP131815G
Sheet No:

model SABP131815G PART
 drawing CUBOS DRAWING

ID	Description	Date	By	Appr.
A				

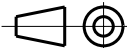


Dimensions in mm [inches]

Material: ABS	Color: RAL 7035
---------------	-----------------

Supplier:	Tool No:	Weight [kg]: 0.44	Volume:
-----------	----------	-------------------	---------

ENSTO
ENSTO CONTROL OY



SABP181808G

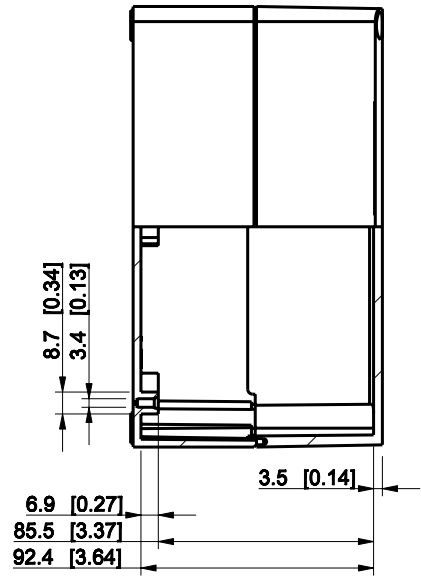
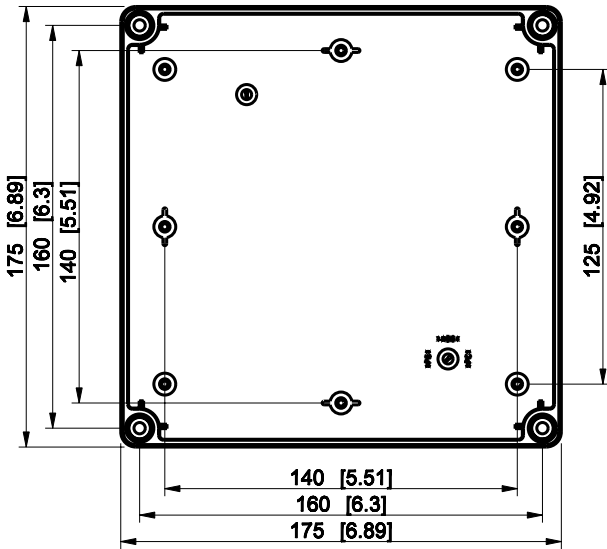
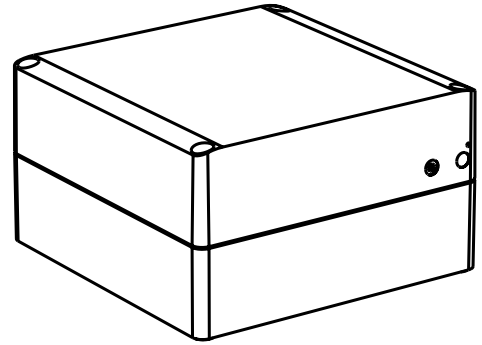
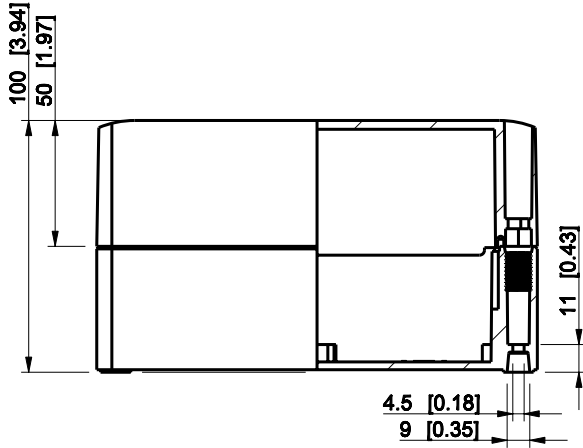
Scale	Date	08.12.08
1:3	By	PKos
-	Checked	
-	Ctrl	

Replaces:	
Replaced:	
Drw No:	- A
Ref:	Cubo S
Code:	SABP181808G
Sheet No:	

model SABP181808G PART

drawing CUBOS DRAWING


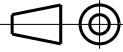
ID	Description	Date	By	Appr.
A				



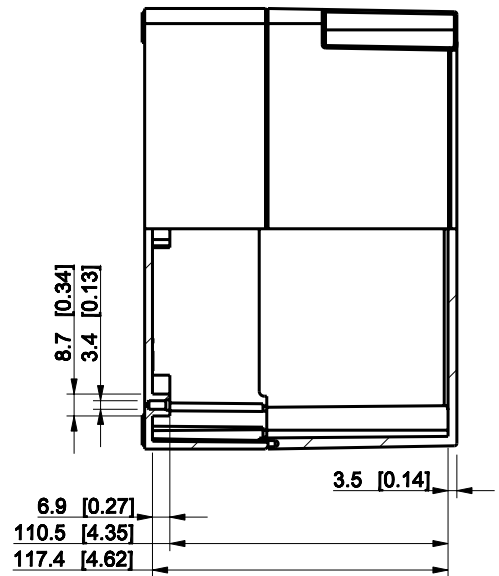
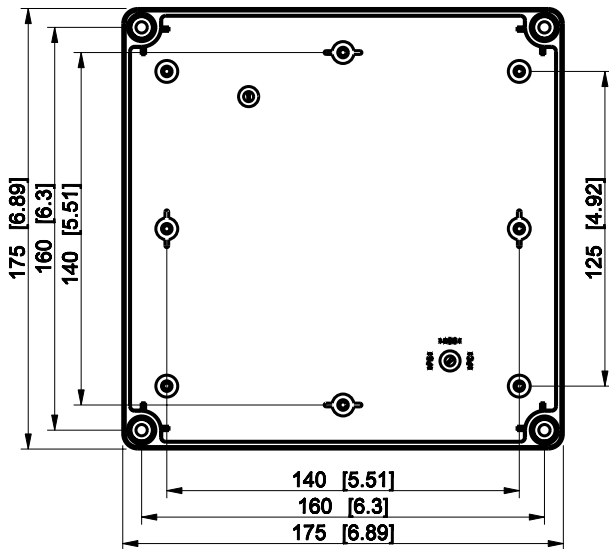
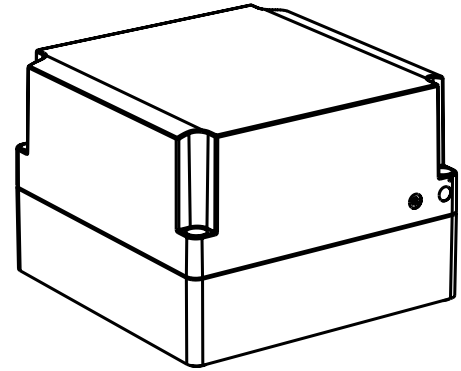
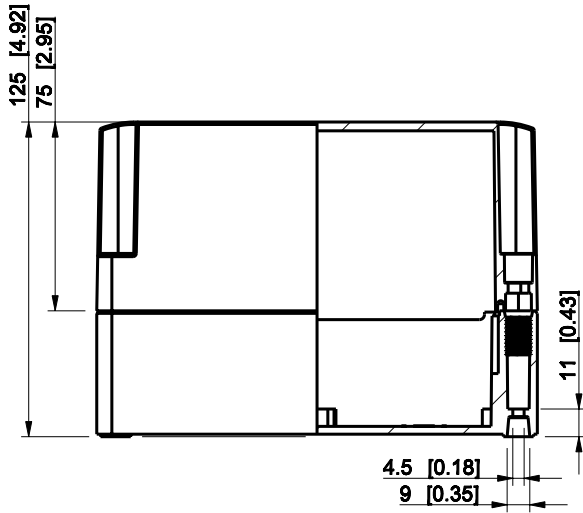
Dimensions in mm [inches]

Material: ABS	Color: RAL 7035
---------------	-----------------

Supplier:	Tool No:	Weight [kg]: 0.52	Volume:
-----------	----------	-------------------	---------

model SABP181810G PART drawing CUBOS DRAWING	 ENSTO CONTROL OY			<h1>SABP181810G</h1>	Replaces:												
	<table border="1"> <tr> <td>Scale</td> <td>Date</td> <td>08.12.08</td> </tr> <tr> <td>1:3</td> <td>By</td> <td>PKos</td> </tr> <tr> <td>-</td> <td>Checked</td> <td></td> </tr> <tr> <td>-</td> <td>Ctrl</td> <td></td> </tr> </table>		Scale	Date	08.12.08	1:3	By	PKos	-	Checked		-	Ctrl				Replaced:
	Scale	Date	08.12.08														
	1:3	By	PKos														
	-	Checked															
-	Ctrl																
				Drw No: - A													
				Ref: Cubo S													
				Code: SABP181810G													
				Sheet No:													

ID	Description	Date	By	Appr.
A				



Dimensions in mm [inches]

Material: ABS	Color: RAL 7035
---------------	-----------------

Supplier:	Tool No:	Weight [kg]: 0.58	Volume:
-----------	----------	-------------------	---------



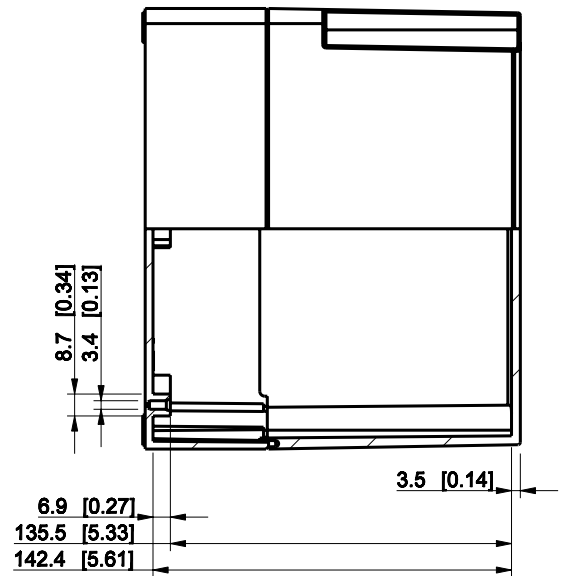
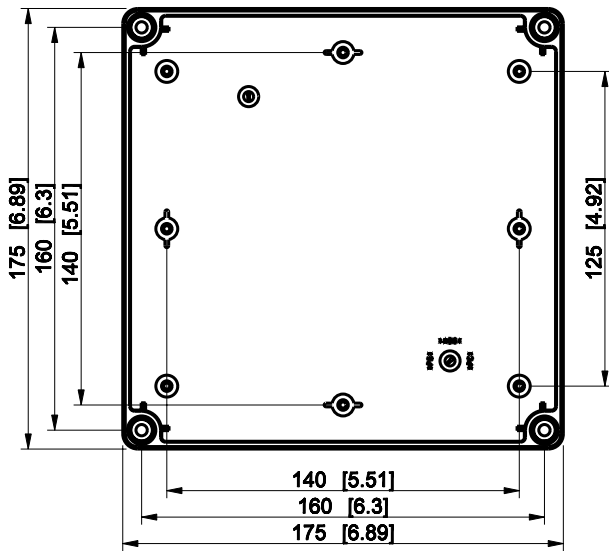
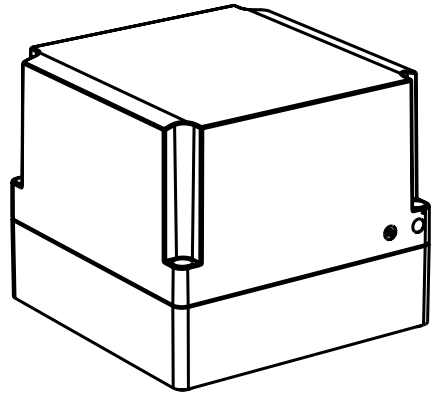
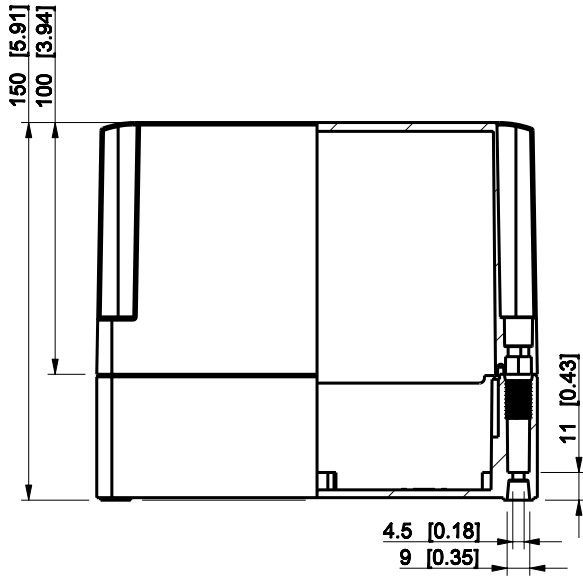
SABP181813G

Scale	Date	08.12.08
1:3	By	PKos
-	Checked	
-	Ctrl	

Replaces:
Replaced:
Drw No: - A
Ref: Cubo S
Code: SABP181813G
Sheet No:

model SABP181813G PART
 drawing CUBOS DRAWING

ID	Description	Date	By	Appr.
A				

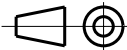


Dimensions in mm [inches]

Material: ABS	Color: RAL 7035
---------------	-----------------

Supplier:	Tool No:	Weight [kg]: 0.65	Volume:
-----------	----------	-------------------	---------

ENSTO
ENSTO CONTROL OY



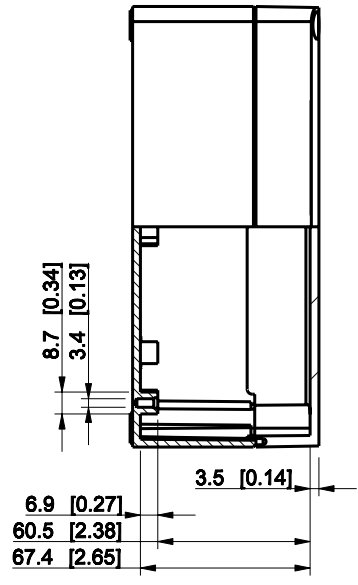
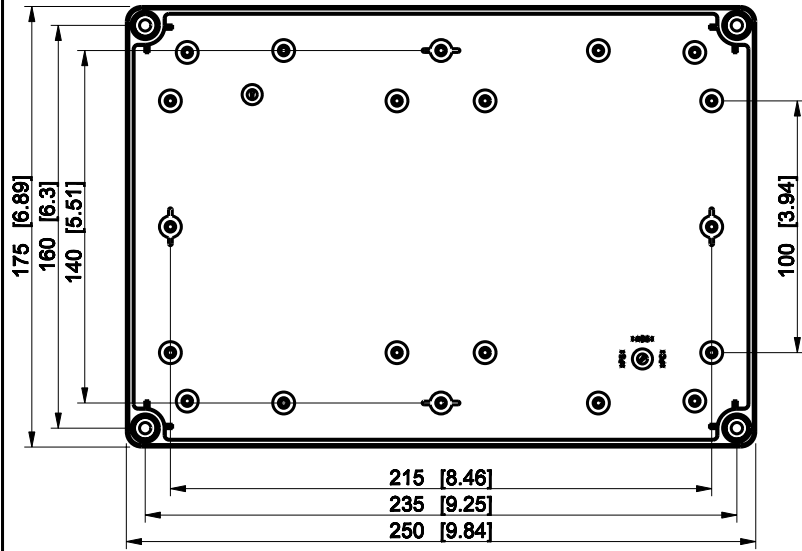
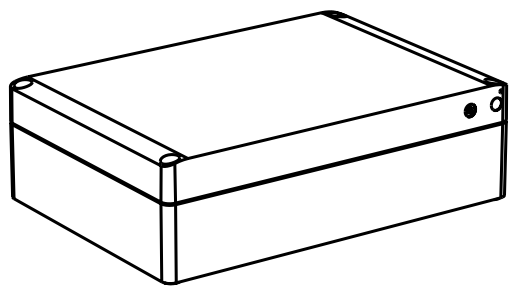
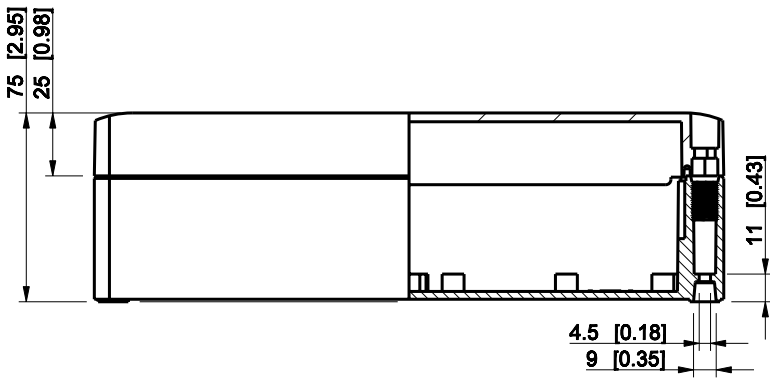
SABP181815G

Scale	Date	08.12.08
1:3	By	PKos
-	Checked	
-	Ctrl	

Replaces:
Replaced:
Drw No: - A
Ref: Cubo S
Code: SABP181815G
Sheet No:

model SABP181815G PART
drawing CUBOS DRAWING

ID	Description	Date	By	Appr.
A				



Dimensions in mm [inches]

Material: ABS	Color: RAL 7035
---------------	-----------------

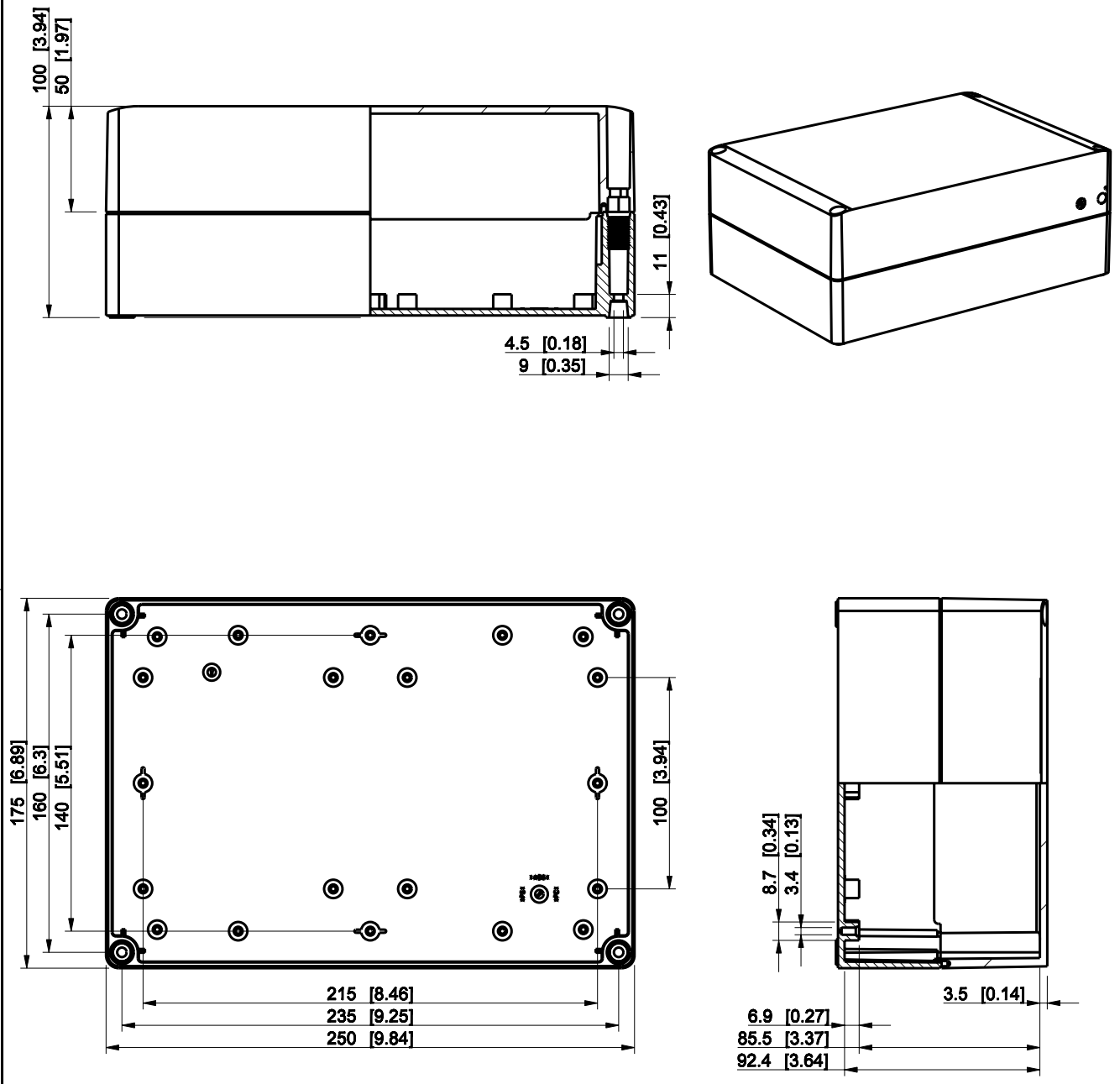
Supplier:	Tool No:	Weight [kg]: 0.58	Volume:
-----------	----------	-------------------	---------

ENSTO ENSTO CONTROL OY		<h1>SABP182508G</h1>		Replaces:
				Replaced:
				Drw No: - A
				Ref: Cubo S

Scale	Date	08.12.08
1:3	By	PKos
-	Checked	
-	Ctrl	

model SABP182508G PART
 drawing CUBOS DRAWING

ID	Description	Date	By	Appr.
A				



Dimensions in mm [inches]

Material: ABS	Color: RAL 7035
---------------	-----------------

Supplier:	Tool No:	Weight [kg]: 0.69	Volume:
-----------	----------	-------------------	---------

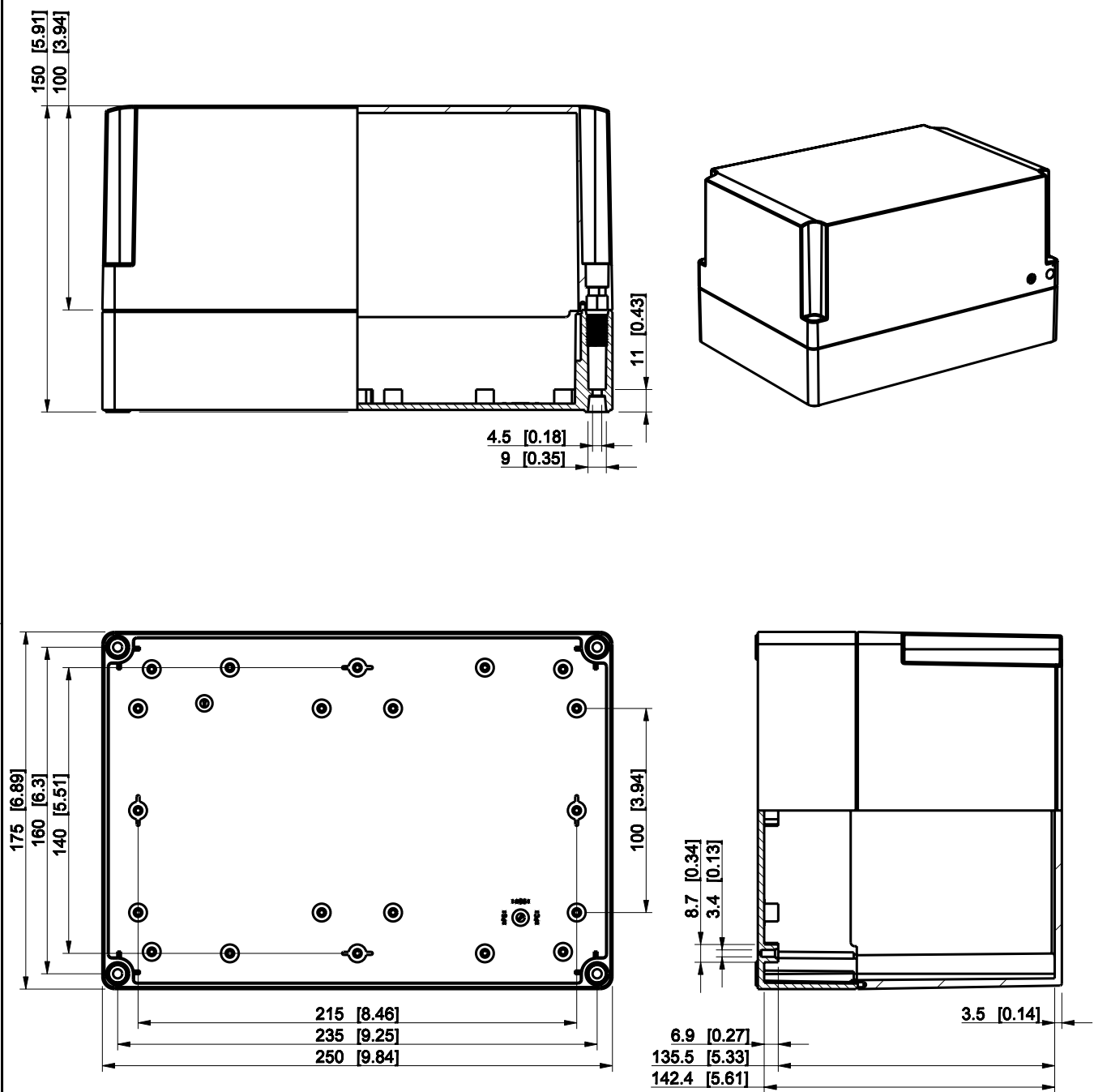
ENSTO ENSTO CONTROL OY		SABP182510G	Replaces:
			Replaced:
			Drw No: - A
			Ref: Cubo S

Scale	Date	08.12.08
1:3	By	PKos
-	Checked	
-	Ctrl	

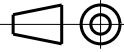
model SABP182510G PART
 drawing CUBOS DRAWING

Sheet No:

ID	Description	Date	By	Appr.
A				



Dimensions in mm [inches]

Material: ABS		Color: RAL 7035					
Supplier:		Tool No:					
Weight [kg]: 0.85		Volume:					
ENSTO ENSTO CONTROL OY				SABP182515G		Replaces:	
						Replaced:	
						Drw No: - A	
						Ref: Cubo S	
						Code: SABP182515G	
Scale		Date		08.12.08		Sheet No:	
1:3		By		PKos			
-		Checked					
-		Ctrl					

model SABP182515G PART
 drawing CUBOS DRAWING