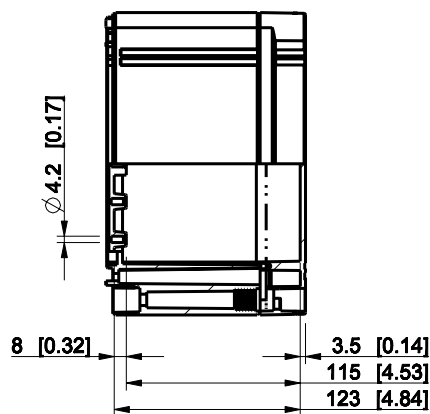
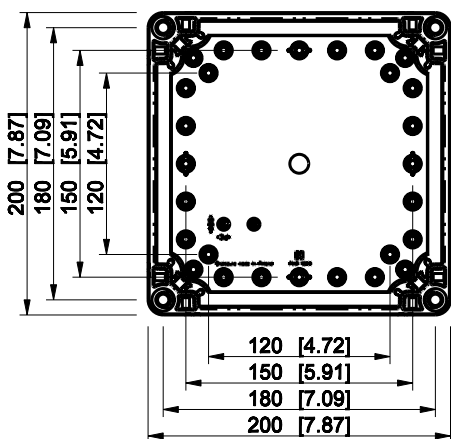
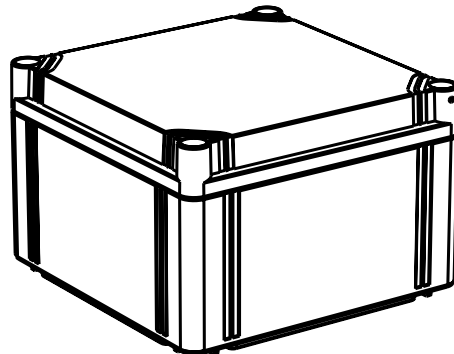
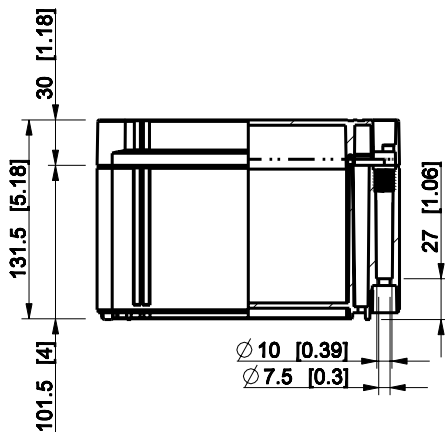


ID	Description	Date	By	Appr.
A				

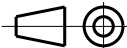


Dimensions in mm [inches]

Material: Polycarbonate, fiberglass-reinforced	Color: RAL 7035
--	-----------------

Supplier:	Tool No:	Weight [kg]: 1.03	Volume:
-----------	----------	-------------------	---------

ENSTO
ENSTO CONTROL OY



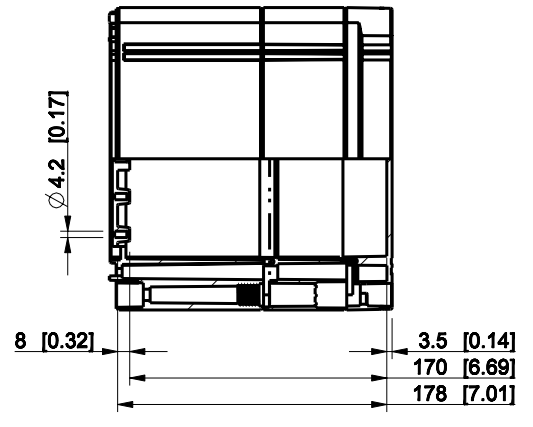
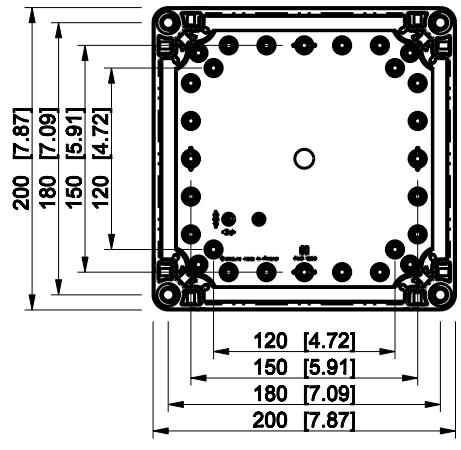
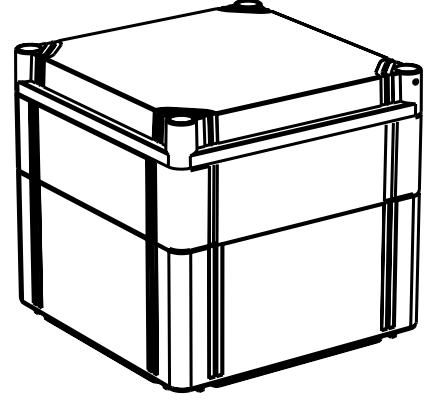
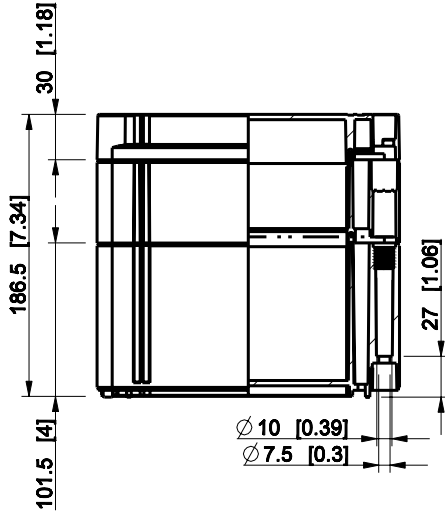
OPCP202013T

Scale	Date	18.12.08
1:5	By	PKos
-	Checked	
-	Ctrl	

Replaces:	
Replaced:	
Drw No:	A
Ref:	Cubo O
Code:	OPCP202013T
Sheet No:	

model OPCP202013T_PART
drawing CUBO_O.drawing

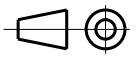
ID	Description	Date	By	Appr.
A				



Dimensions in mm [inches]

Material: Polycarbonate, fiberglass-reinforced Color: RAL 7035

Supplier: Tool No: Weight [kg]: 1.33 Volume:



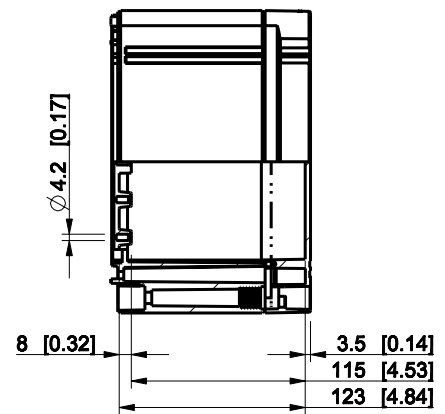
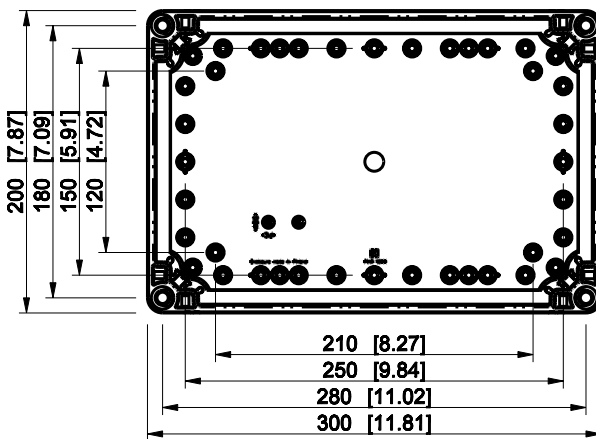
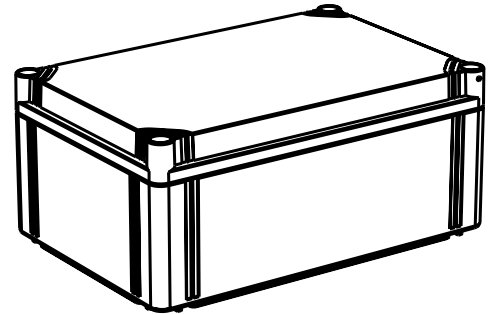
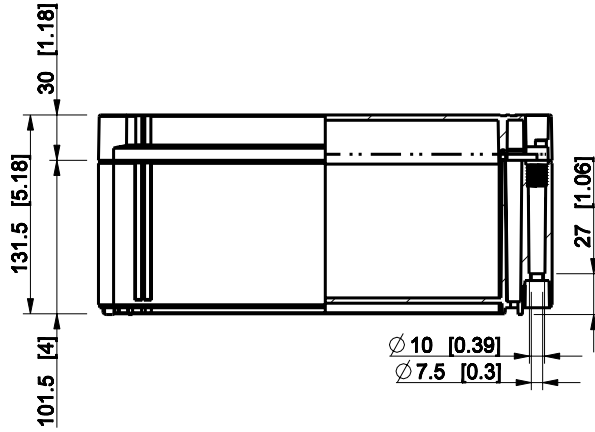
OPCP202018T

Scale	Date	18.12.08
1:5	By	PKos
-	Checked	
-	Ctrl	

Replaces:	
Replaced:	
Drw No:	A
Ref:	Cubo O
Code:	OPCP202018T
Sheet No:	

model OPCP202018T_PART
 drawing CUBO_O.drawing

ID	Description	Date	By	Appr.
A				



Dimensions in mm [inches]

Material: Polycarbonate, fiberglass-reinforced	Color: RAL 7035
--	-----------------

Supplier:	Tool No:	Weight [kg]: 1.36	Volume:
-----------	----------	-------------------	---------



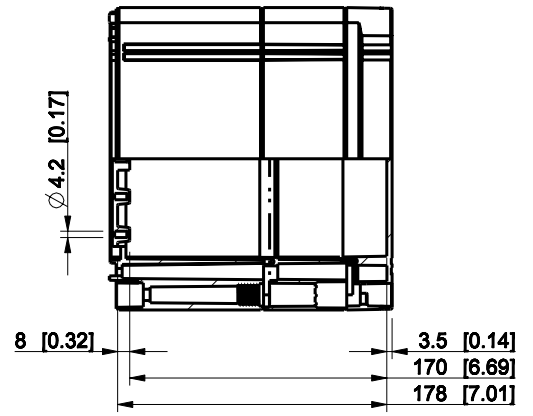
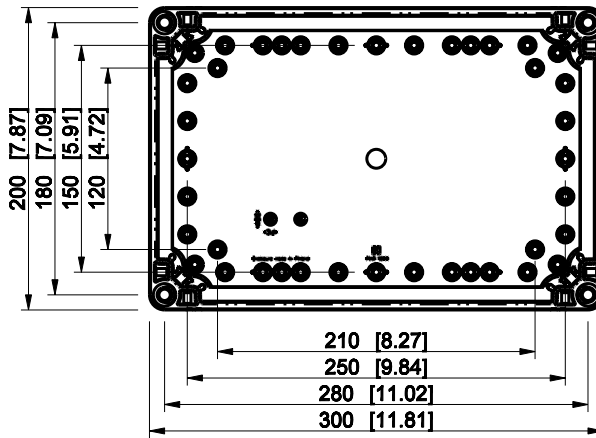
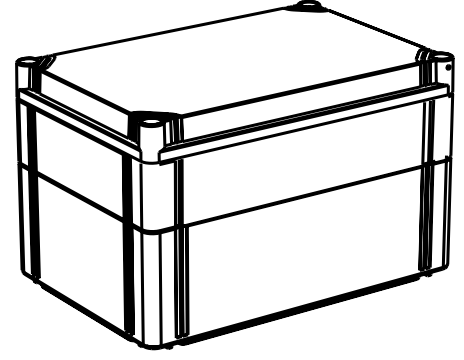
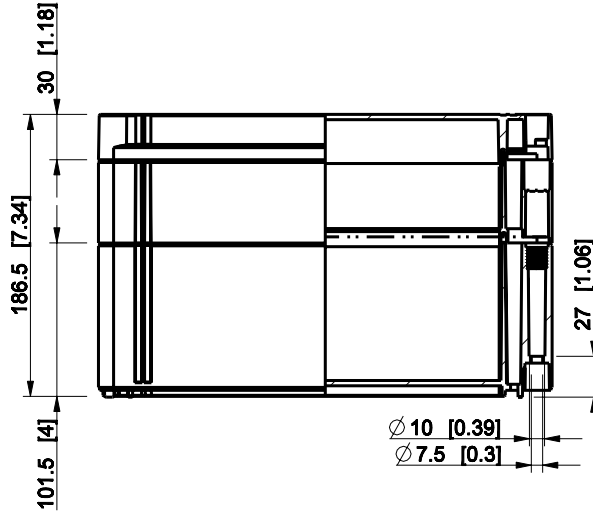
OPCP203013T

Scale	Date	18.12.08
1:5	By	PKos
-	Checked	
-	Ctrl	

Replaces:	
Replaced:	
Drw No:	A
Ref:	Cubo O
Code:	OPCP203013T
Sheet No:	

model OPCP203013T_PART
 drawing CUBO_O.drawing

ID	Description	Date	By	Appr.
A				



Dimensions in mm [inches]

Material: Polycarbonate, fiberglass-reinforced	Color: RAL 7035
--	-----------------

Supplier:	Tool No:	Weight [kg]: 1.73	Volume:
-----------	----------	-------------------	---------



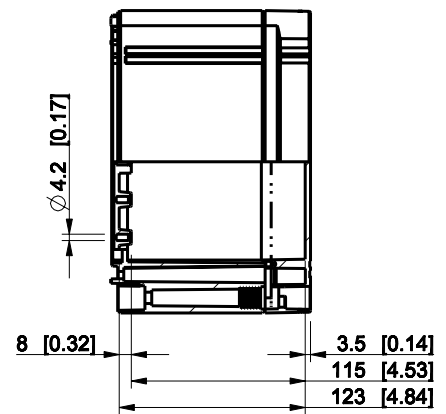
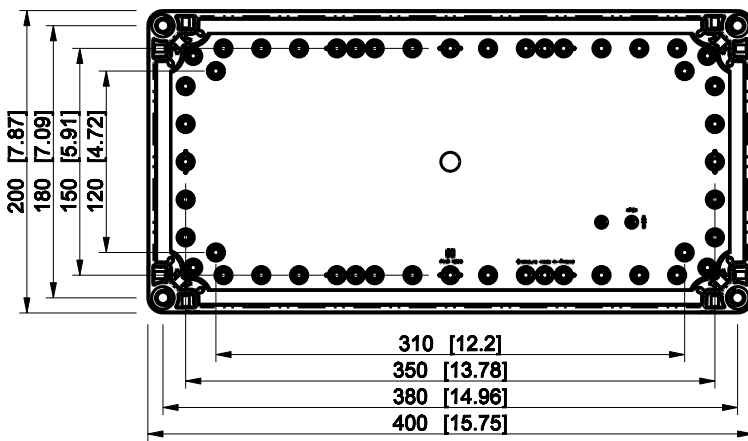
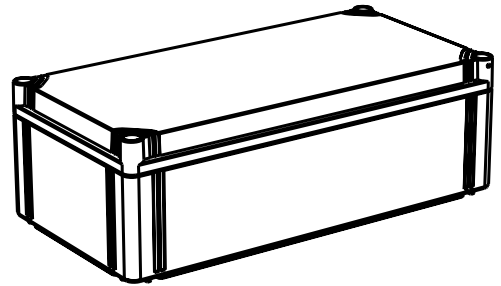
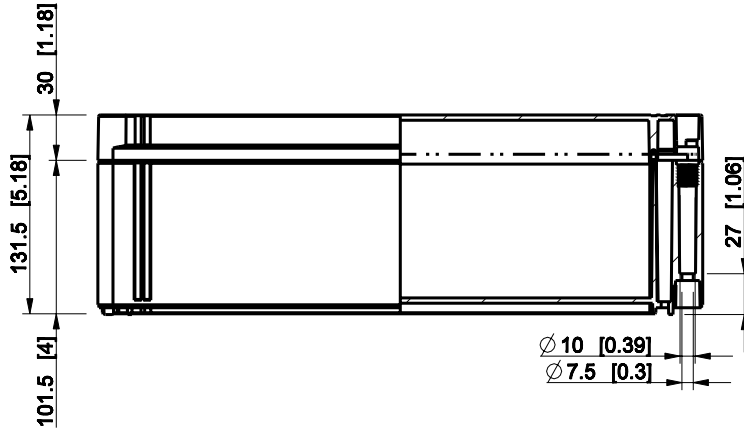
OPCP203018T

Scale	Date	18.12.08
1:5	By	PKos
-	Checked	
-	Ctrl	

Replaces:	
Replaced:	
Drw No:	A
Ref:	Cubo O
Code:	OPCP203018T
Sheet No:	

model OPCP203018T_PART
 drawing CUBO_O.drawing

ID	Description	Date	By	Appr.
A				

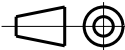


Dimensions in mm [inches]

Material: Polycarbonate, fiberglass-reinforced	Color: RAL 7035
--	-----------------

Supplier:	Tool No:	Weight [kg]: 1.69	Volume:
-----------	----------	-------------------	---------

ENSTO
ENSTO CONTROL OY



OPCP204013T

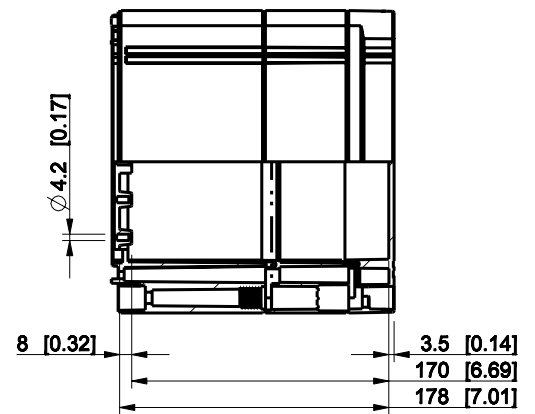
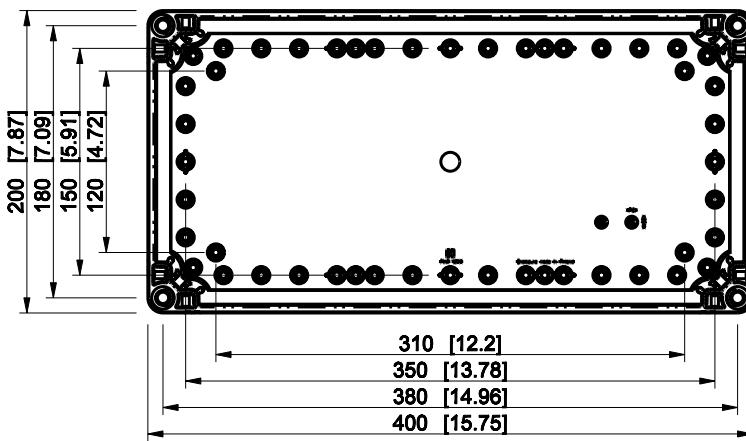
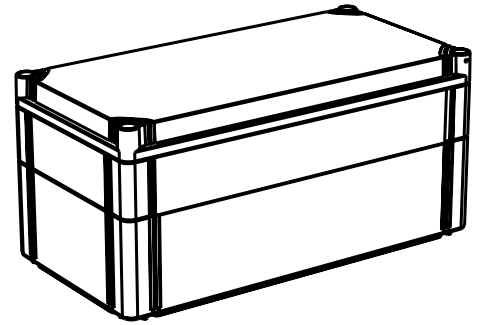
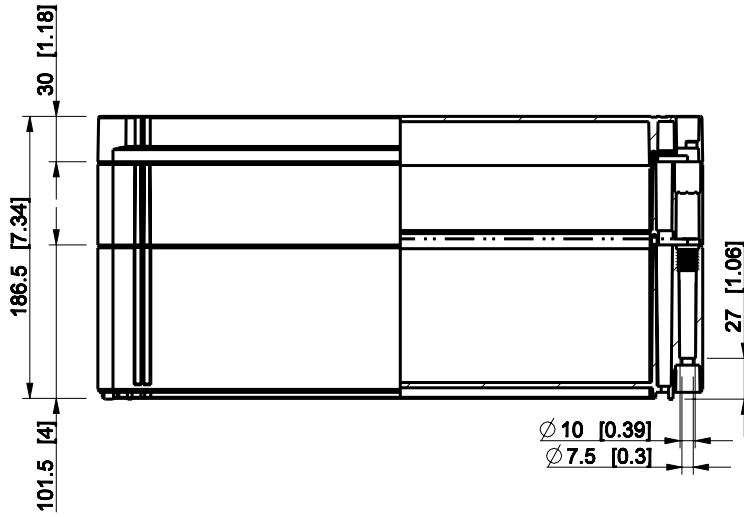
Scale	Date	18.12.08
1:5	By	PKos
-	Checked	
-	Ctrl	

Replaces:	
Replaced:	
Drw No:	A
Ref:	Cubo O
Code:	OPCP204013T
Sheet No:	

model OPCP204013T_PART

drawing CUBO_O.drawing

ID	Description	Date	By	Appr.
A				



Dimensions in mm [inches]

Material: Polycarbonate, fiberglass-reinforced	Color: RAL 7035
--	-----------------

Supplier:	Tool No:	Weight [kg]: 2.13	Volume:
-----------	----------	-------------------	---------

ENSTO
ENSTO CONTROL OY



OPCP204018T

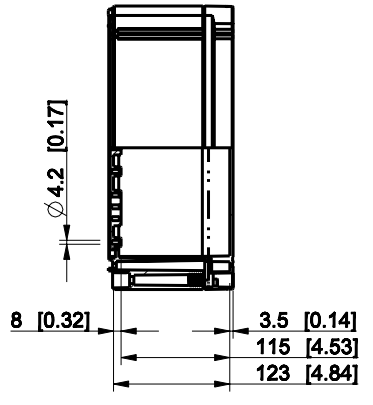
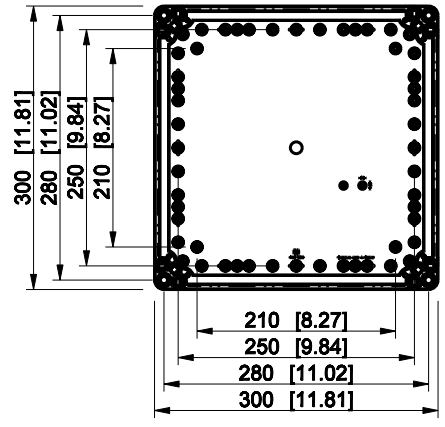
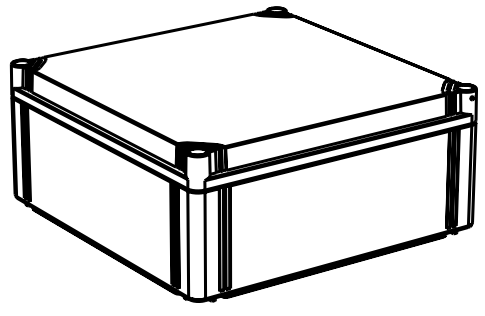
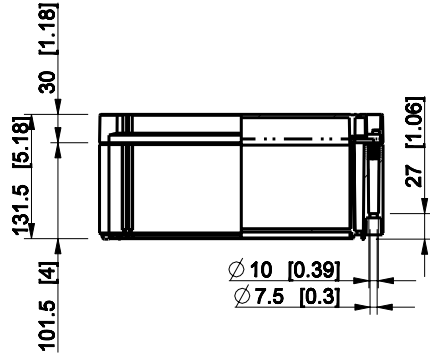
Scale	Date	18.12.08
1:5	By	PKos
-	Checked	
-	Ctrl	

Replaces:	
Replaced:	
Drw No:	A
Ref:	Cubo O
Code:	OPCP204018T
Sheet No:	

model OPCP204018T_PART

drawing CUBO_O.drawing

ID	Description	Date	By	Appr.
A				



Dimensions in mm [inches]

Material: Polycarbonate, fiberglass-reinforced	Color: RAL 7035
--	-----------------

Supplier:	Tool No:	Weight [kg]: 1.77	Volume:
-----------	----------	-------------------	---------



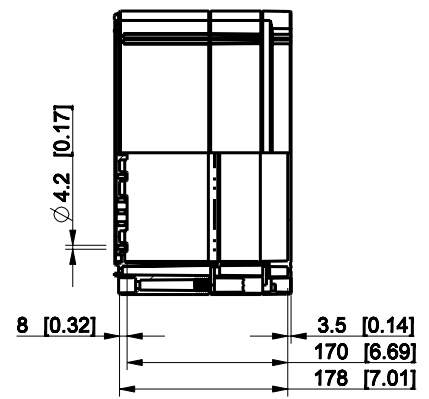
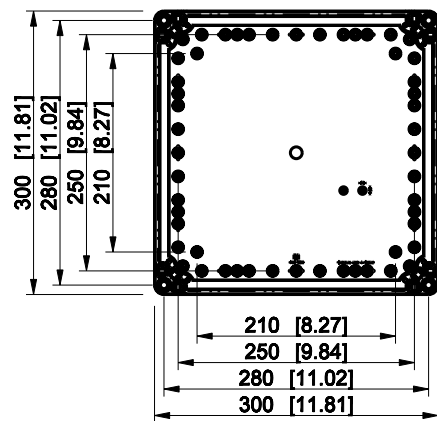
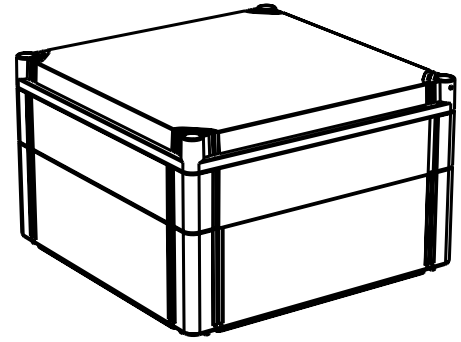
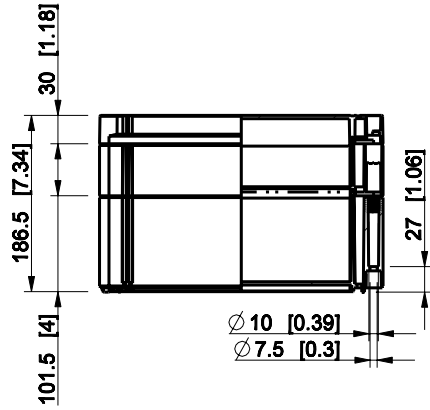
OPCP303013T

Scale	Date	18.12.08
1:8	By	PKos
-	Checked	
-	Ctrl	

Replaces:	
Replaced:	
Drw No:	A
Ref:	Cubo O
Code:	OPCP303013T
Sheet No:	

model OPCP303013T_PART
 drawing CUBO_O.drawing

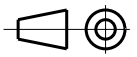
ID	Description	Date	By	Appr.
A				



Dimensions in mm [inches]

Material: Polycarbonate, fiberglass-reinforced	Color: RAL 7035
--	-----------------

Supplier:	Tool No:	Weight [kg]: 2.22	Volume:
-----------	----------	-------------------	---------



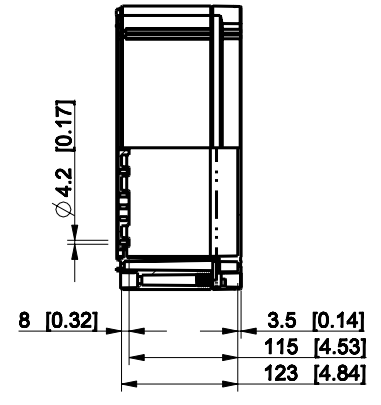
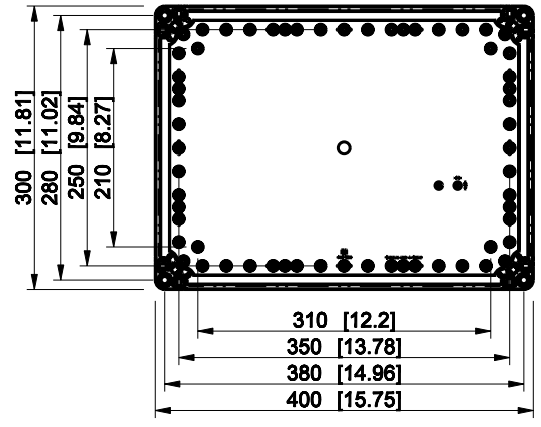
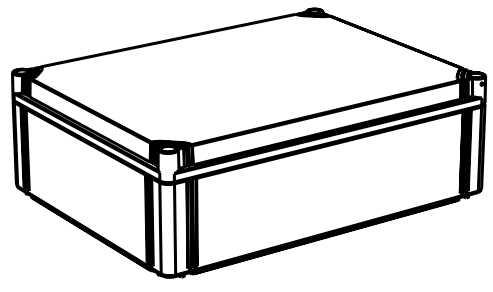
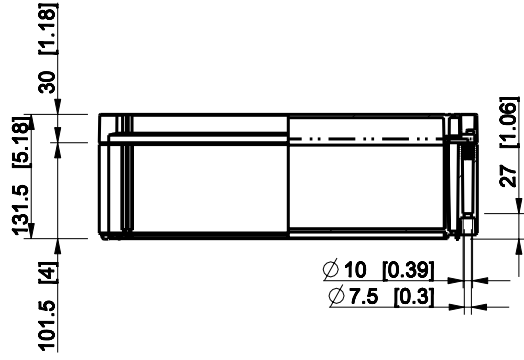
OPCP303018T

Scale	Date	18.12.08
1:8	By	PKos
-	Checked	
-	Ctrl	

Replaces:	
Replaced:	
Drw No:	A
Ref:	Cubo O
Code:	OPCP303018T
Sheet No:	

model: OPCP303018T_PART
drawing: CUBO_O.drawing

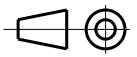
ID	Description	Date	By	Appr.
A				



Dimensions in mm [inches]

Material: Polycarbonate, fiberglass-reinforced	Color: RAL 7035
--	-----------------

Supplier:	Tool No:	Weight [kg]: 2.18	Volume:
-----------	----------	-------------------	---------



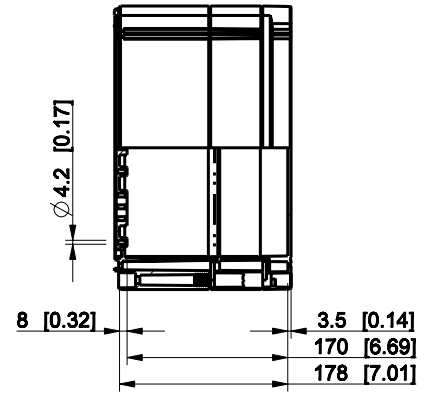
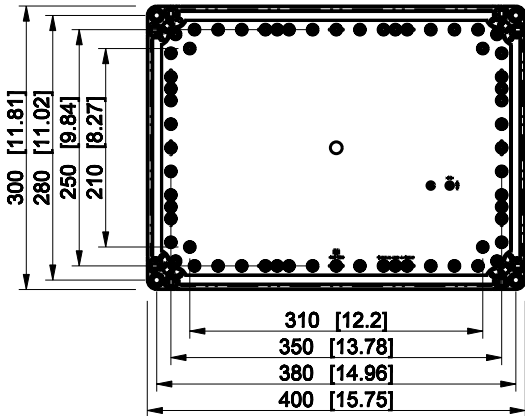
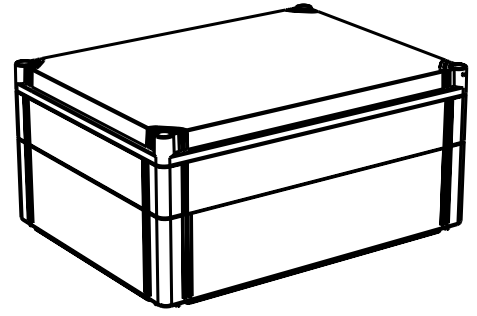
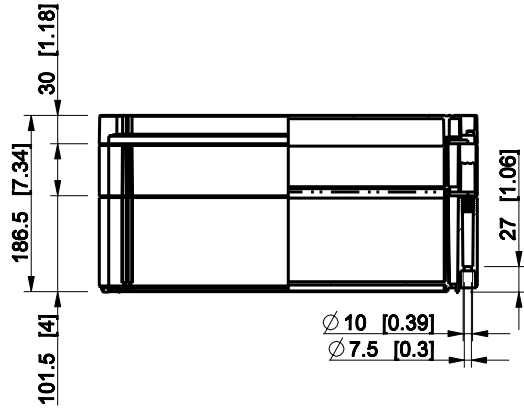
OPCP304013T

Scale	Date	18.12.08
1:8	By	PKos
-	Checked	
-	Ctrl	

Replaces:	
Replaced:	
Drw No:	A
Ref:	Cubo O
Code:	OPCP304013T
Sheet No:	

model OPCP304013T_PART
 drawing CUBO_O.drawing

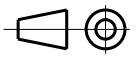
ID	Description	Date	By	Appr.
A				



Dimensions in mm [inches]

Material: Polycarbonate, fiberglass-reinforced Color: RAL 7035

Supplier: Tool No: Weight [kg]: 2.70 Volume:



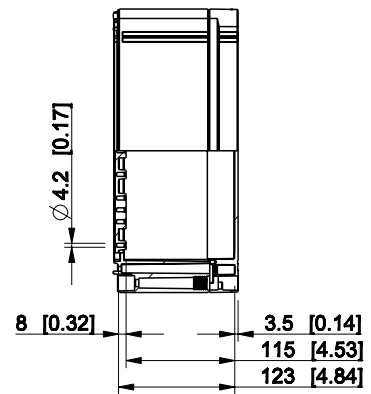
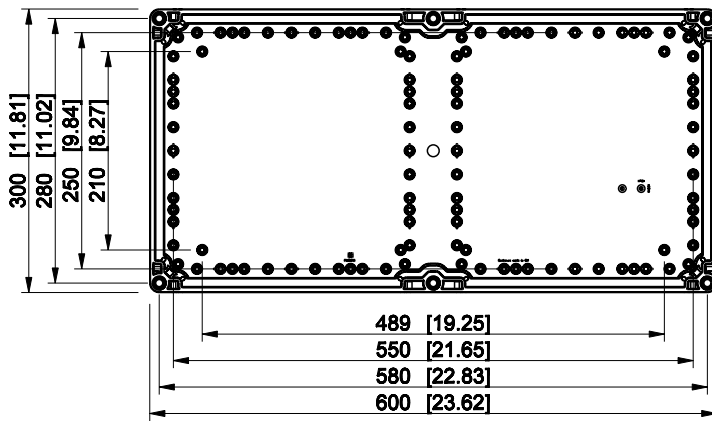
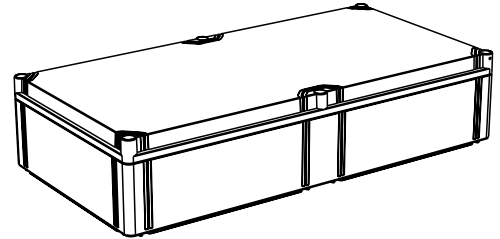
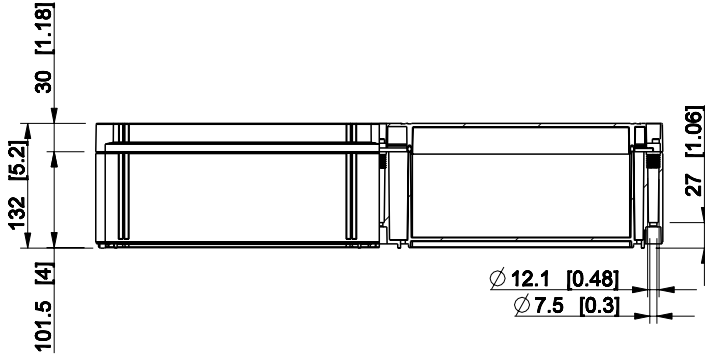
OPCP304018T

Scale	Date	18.12.08
1:8	By	PKos
-	Checked	
-	Ctrl	

Replaces:	
Replaced:	
Drw No:	A
Ref:	Cubo O
Code:	OPCP304018T
Sheet No:	

model OPCP304018T_PART
drawing CUBO_O.drawing

ID	Description	Date	By	Appr.
B				



Dimensions in mm [inches]

Material: Polycarbonate, fiberglass-reinforced	Color: RAL 7035
--	-----------------

Supplier:	Tool No: -	Weight [kg]: 3.10	Volume:
-----------	------------	-------------------	---------



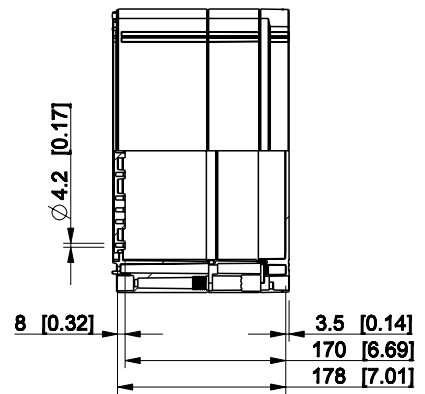
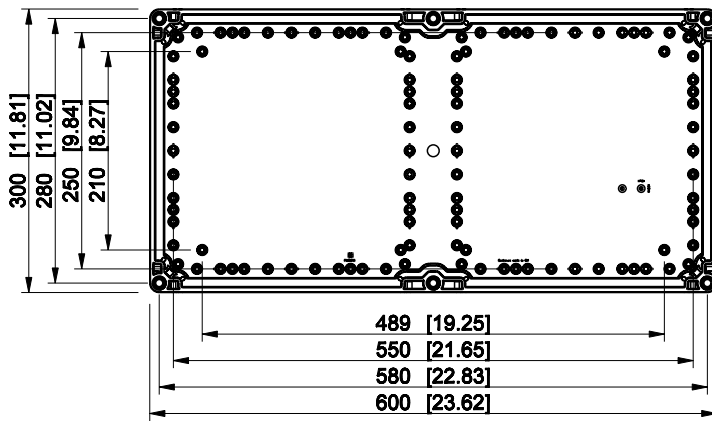
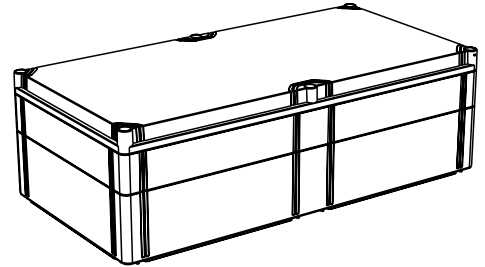
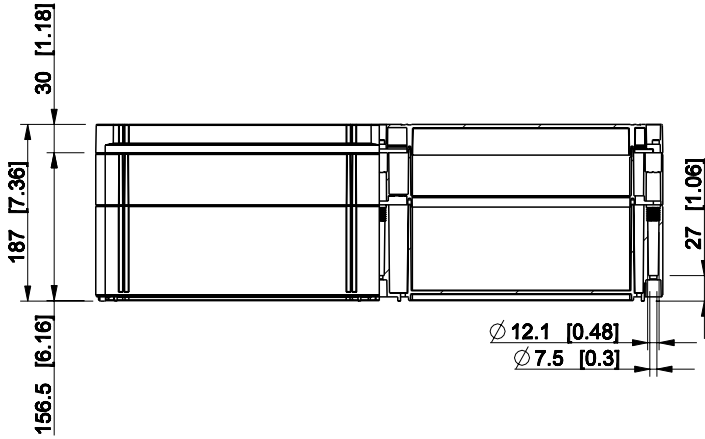
OPCP306013T

Scale	Date	19.04.10
1:8	By	PKos
-	Checked	
-	Ctrl	

Replaces:
Replaced:
Drw No: - B
Ref: Cubo O
Code: OPCP306013T
Sheet No:

model OPCP306013T_PART
drawing CUBO_O_1B.drawing

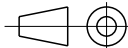
ID	Description	Date	By	Appr.
B				



Dimensions in mm [inches]

Material: Polycarbonate, fiberglass-reinforced	Color: RAL 7035
---	------------------------

Supplier:	Tool No: -	Weight [kg]: 3.78	Volume:
------------------	-------------------	--------------------------	----------------



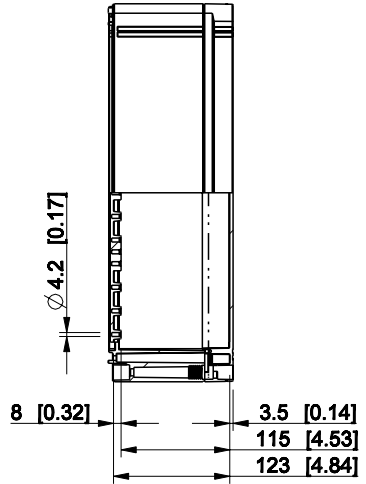
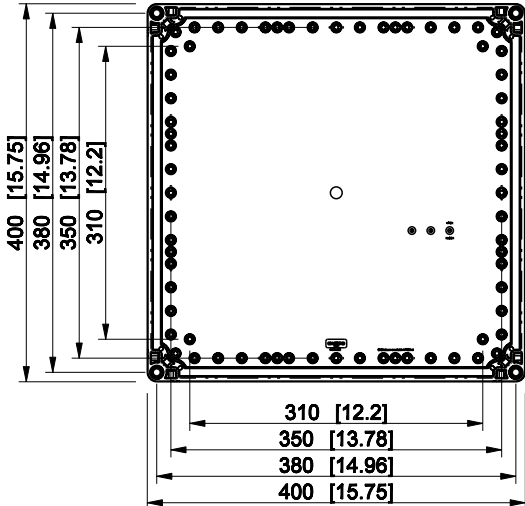
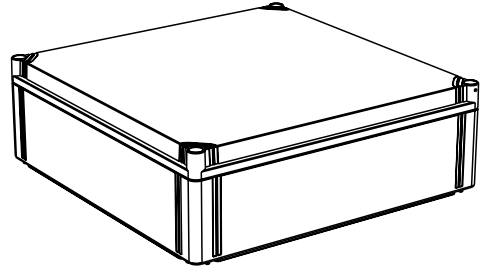
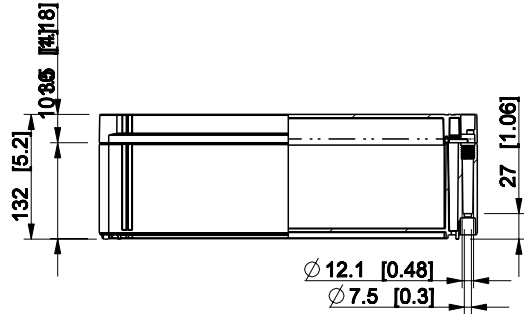
OPCP306018T

Scale	Date	19.04.10
1:8	By	PKos
-	Checked	
-	Ctrl	

Replaces:
Replaced:
Drw No: - B
Ref: Cubo O
Code: OPCP306018T
Sheet No:

model OPCP306018T PART
drawing CUBO_O_1B.DRAWING

ID	Description	Date	By	Appr.
A				



Dimensions in mm [inches]

Material: Polycarbonate, fiberglass-reinforced	Color: RAL 7035
--	-----------------

Supplier:	Tool No: -	Weight [kg]: 2.67	Volume:
-----------	------------	-------------------	---------



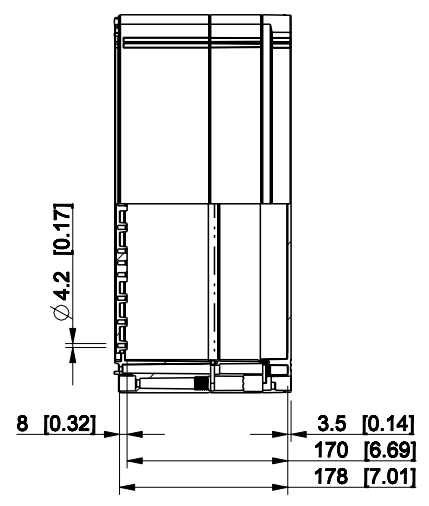
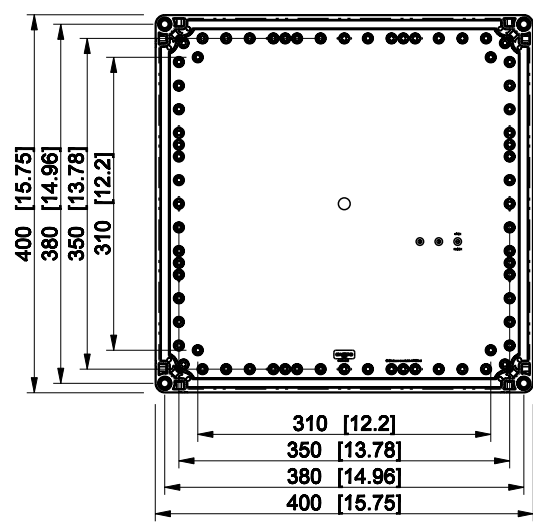
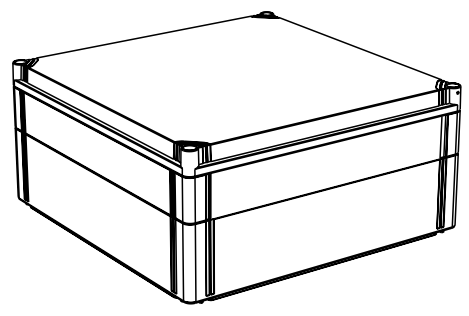
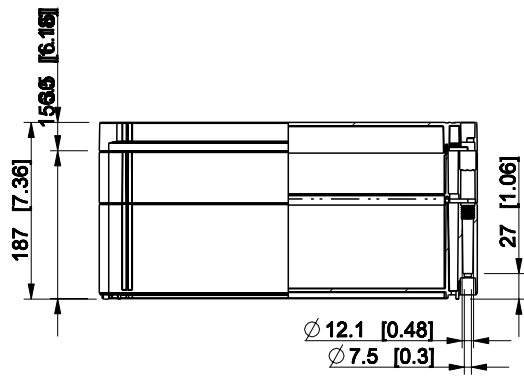
OPCP404013T

Scale	Date	19.04.10
1:8	By	PKos
-	Checked	
-	Ctrl	

Replaces:
Replaced:
Drw No: - A
Ref: Cubo O
Code: OPCP404013T
Sheet No:

model OPCP404013T_PART
 drawing CUBO_O.drawing

ID	Description	Date	By	Appr.
A				



Dimensions in mm [inches]

Material: Polycarbonate, fiberglass-reinforced	Color: RAL 7035
--	-----------------

Supplier:	Tool No: -	Weight [kg]: 3.26	Volume:
-----------	------------	-------------------	---------



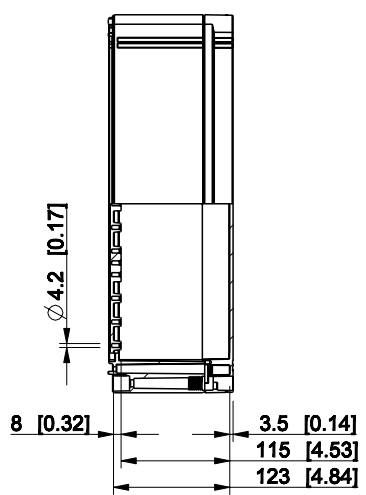
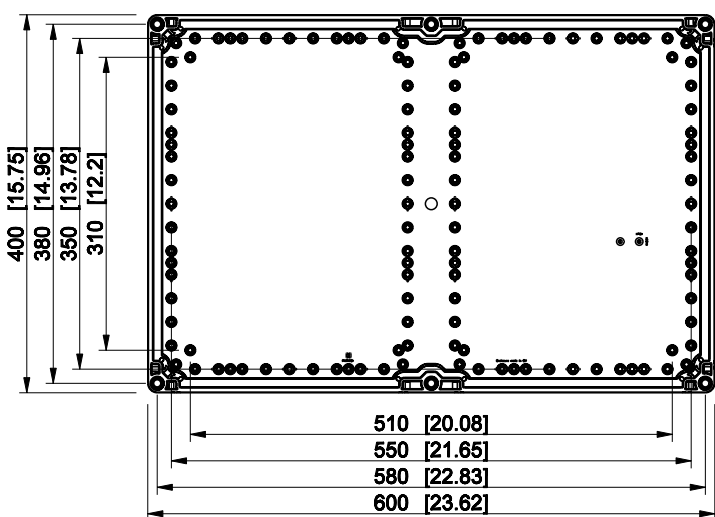
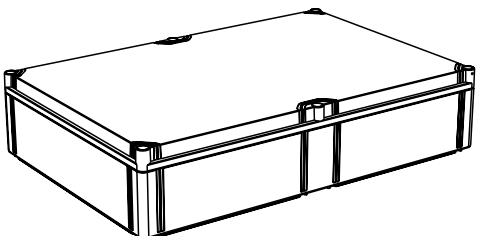
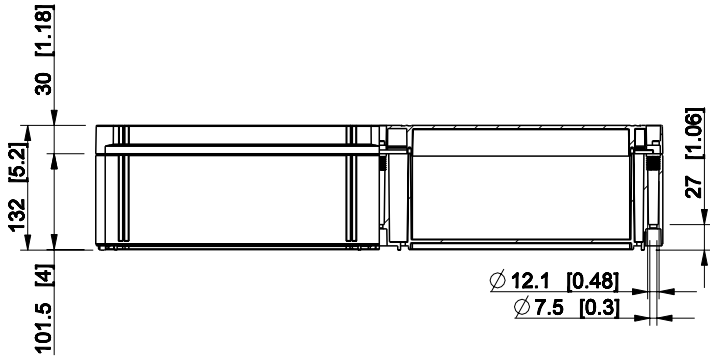
OPCP404018T

Scale	Date	19.04.10
1:8	By	PKos
-	Checked	
-	Ctrl	

Replaces:
Replaced:
Drw No: - A
Ref: Cubo O
Code: OPCP404018T
Sheet No:

model OPCP404018T_PART
 drawing CUBO_O.drawing

ID	Description	Date	By	Appr.
B				



Dimensions in mm [inches]

Material: Polycarbonate, fiberglass-reinforced	Color: RAL 7035
--	-----------------

Supplier:	Tool No: -	Weight [kg]: 3.76	Volume:
-----------	------------	-------------------	---------



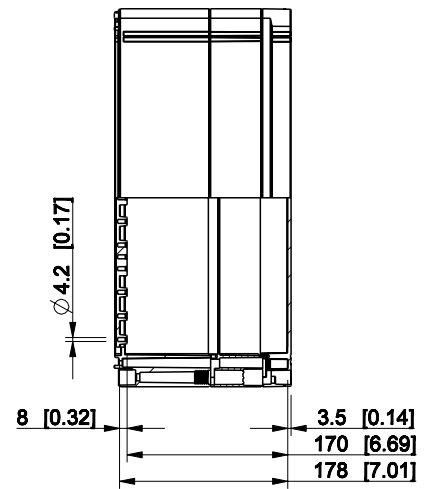
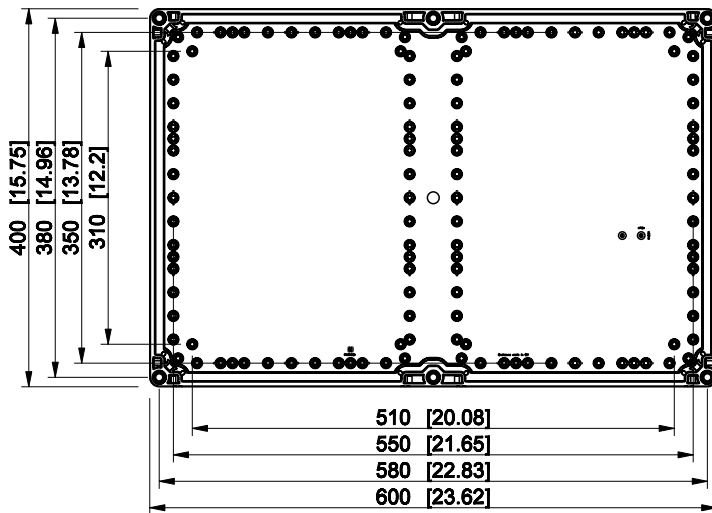
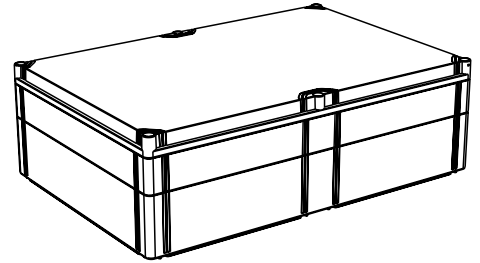
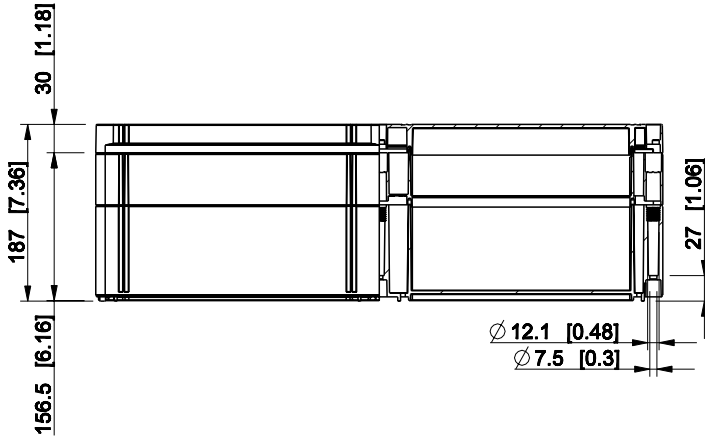
OPCP406013T

Scale	Date	19.04.10
1:8	By	PKos
-	Checked	
-	Ctrl	

Replaces:
Replaced:
Drw No: - B
Ref: Cubo O
Code: OPCP406013T
Sheet No:

model OPCP406013T PART
drawing CUBO_O_1B.drawing

ID	Description	Date	By	Appr.
B				



Dimensions in mm [inches]

Material: Polycarbonate, fiberglass-reinforced	Color: RAL 7035
--	-----------------

Supplier:	Tool No: -	Weight [kg]: 4.52	Volume:
-----------	------------	-------------------	---------



OPCP406018T

Scale	Date	19.04.10
1:8	By	PKos
-	Checked	
-	Ctrl	

Replaces:
Replaced:
Drw No: - B
Ref: Cubo O
Code: OPCP406018T
Sheet No:

model OPCP406018T PART
drawing CUBO_O_1B.drawing