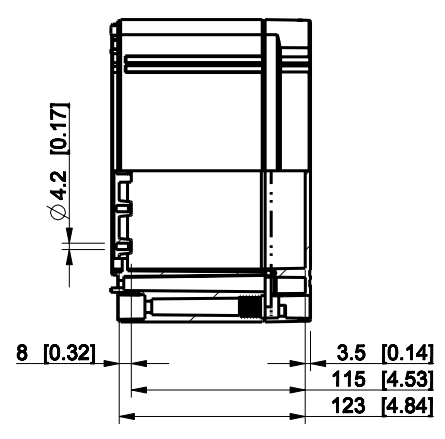
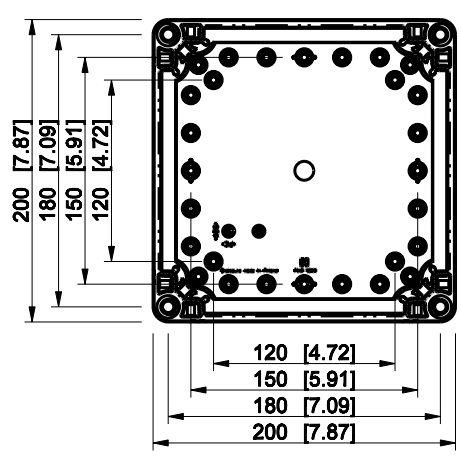
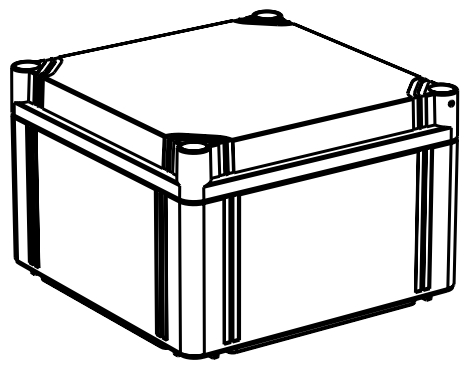
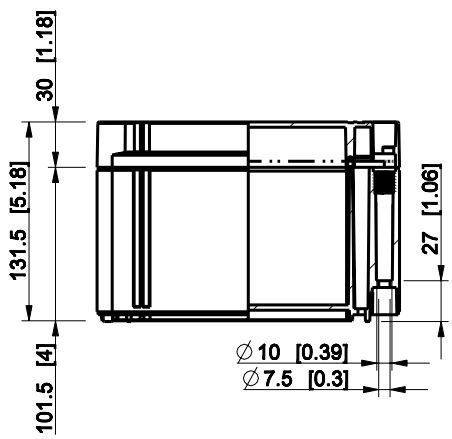


ID	Description	Date	By	Appr.
A				



Dimensions in mm [inches]

Material: Polycarbonate, fiberglass-reinforced	Color: RAL 7035
--	-----------------

Supplier:	Tool No:	Weight [kg]: 1.03	Volume:
-----------	----------	-------------------	---------



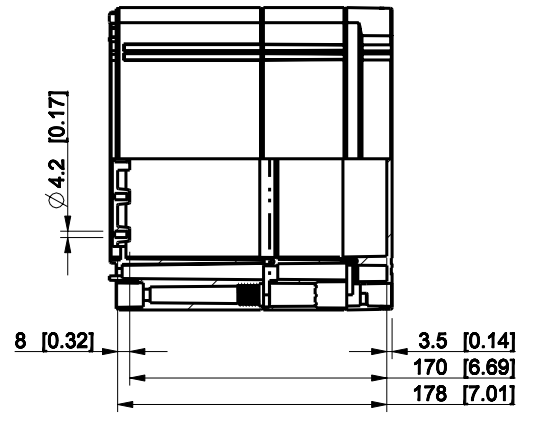
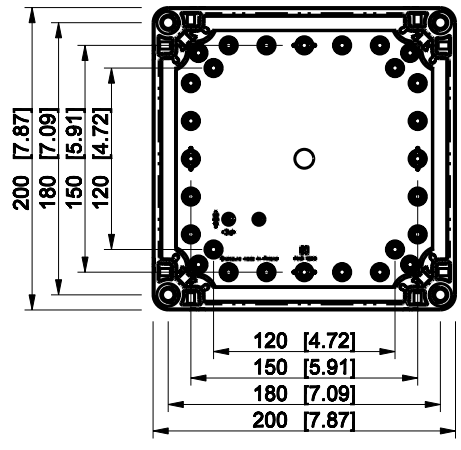
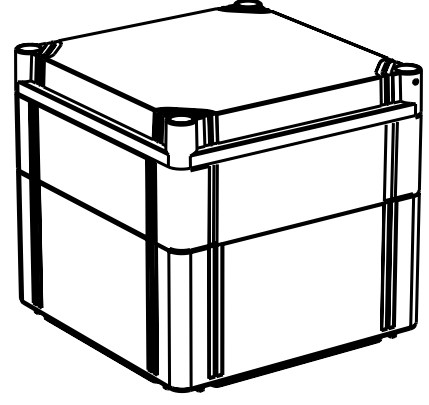
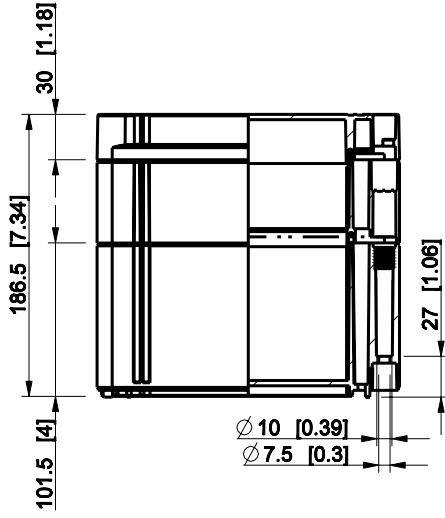
OPCP202013G

Scale	Date	18.12.08
1:5	By	PKos
-	Checked	
-	Ctrl	

Replaces:	
Replaced:	
Drw No:	A
Ref:	Cubo O
Code:	OPCP202013G
Sheet No:	

model OPCP202013G PART
drawing CUBO_O.drawing

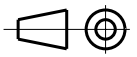
ID	Description	Date	By	Appr.
A				



Dimensions in mm [inches]

Material: Polycarbonate, fiberglass-reinforced	Color: RAL 7035
--	-----------------

Supplier:	Tool No:	Weight [kg]: 1.33	Volume:
-----------	----------	-------------------	---------



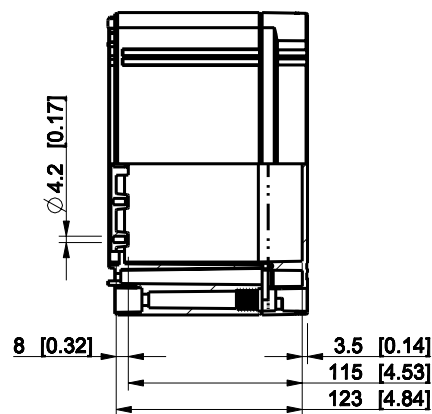
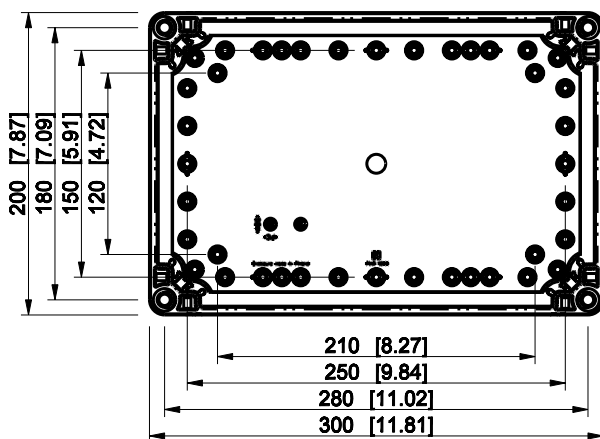
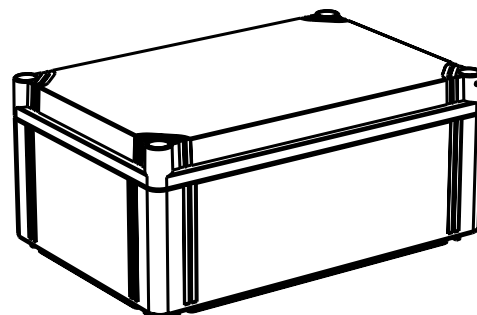
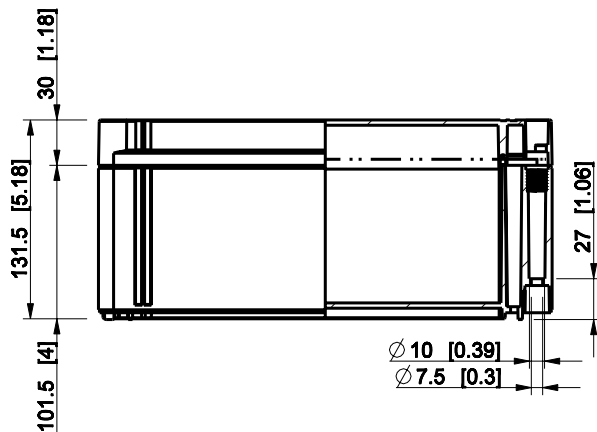
OPCP202018G

Scale	Date	18.12.08
1:5	By	PKos
-	Checked	
-	Ctrl	

Replaces:	
Replaced:	
Drw No:	A
Ref:	Cubo O
Code:	OPCP202018G
Sheet No:	

model OPCP202018G PART
drawing CUBO_O.drawing

ID	Description	Date	By	Appr.
A				

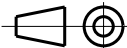


Dimensions in mm [inches]

Material: Polycarbonate, fiberglass-reinforced	Color: RAL 7035
--	-----------------

Supplier:	Tool No:	Weight [kg]: 1.36	Volume:
-----------	----------	-------------------	---------

ENSTO
ENSTO CONTROL OY



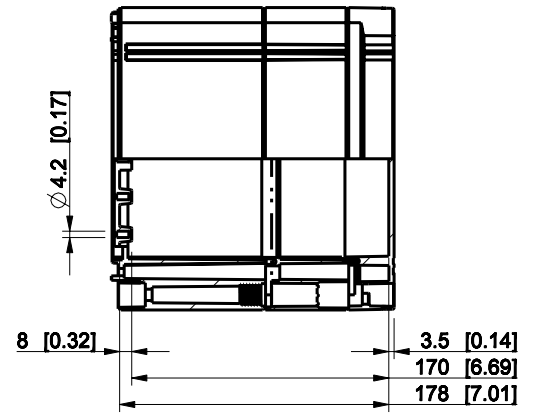
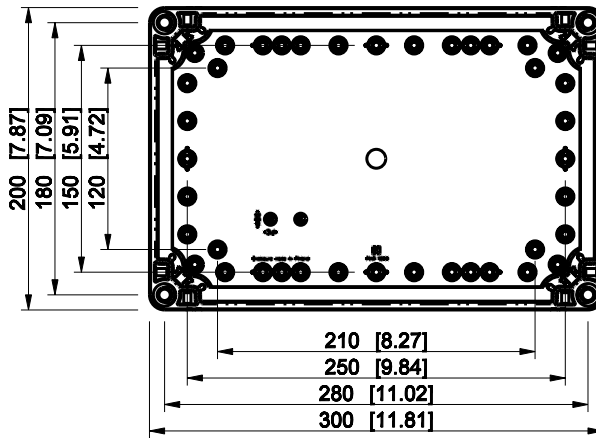
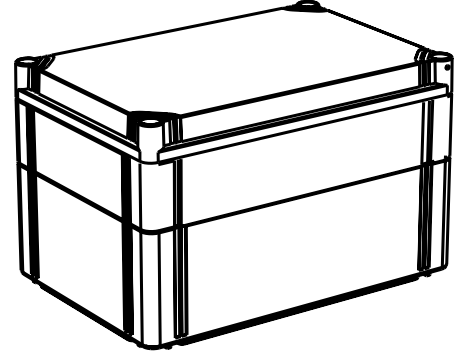
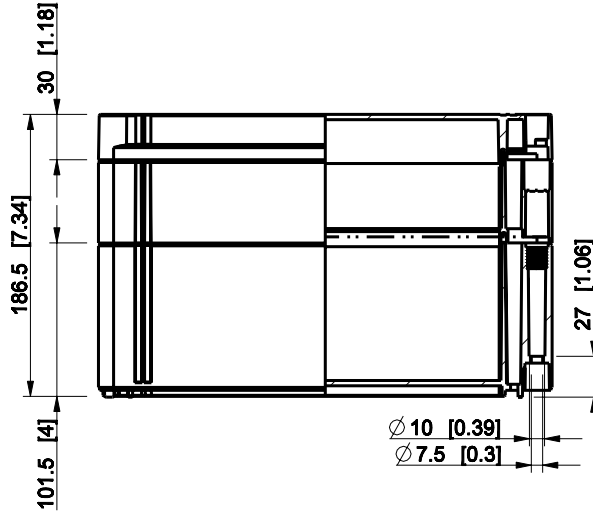
OPCP203013G

Scale	Date	18.12.08
1:5	By	PKos
-	Checked	
-	Ctrl	

Replaces:	
Replaced:	
Drw No:	A
Ref:	Cubo O
Code:	OPCP203013G
Sheet No:	

model OPCP203013G PART
 drawing CUBO_O.drawing

ID	Description	Date	By	Appr.
A				



Dimensions in mm [inches]

Material: Polycarbonate, fiberglass-reinforced	Color: RAL 7035
--	-----------------

Supplier:	Tool No:	Weight [kg]: 1.73	Volume:
-----------	----------	-------------------	---------



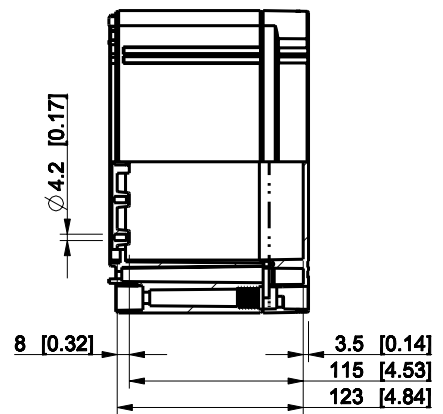
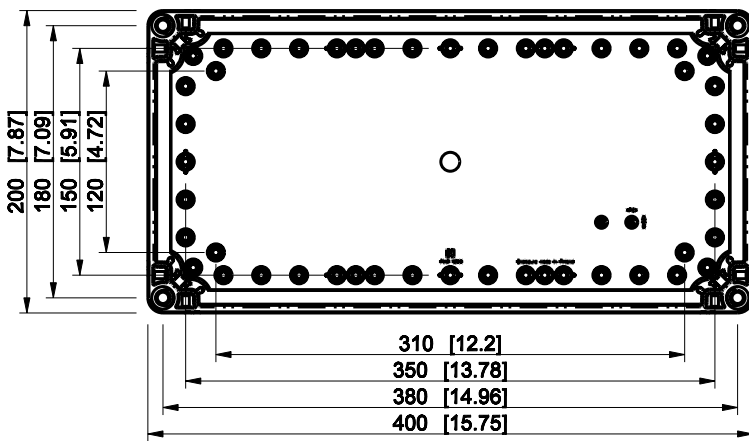
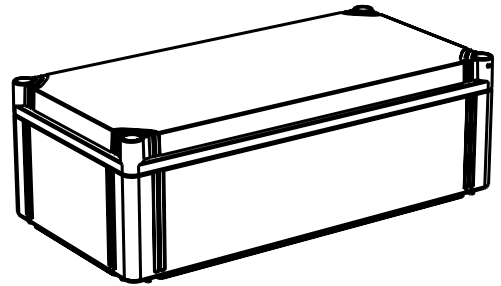
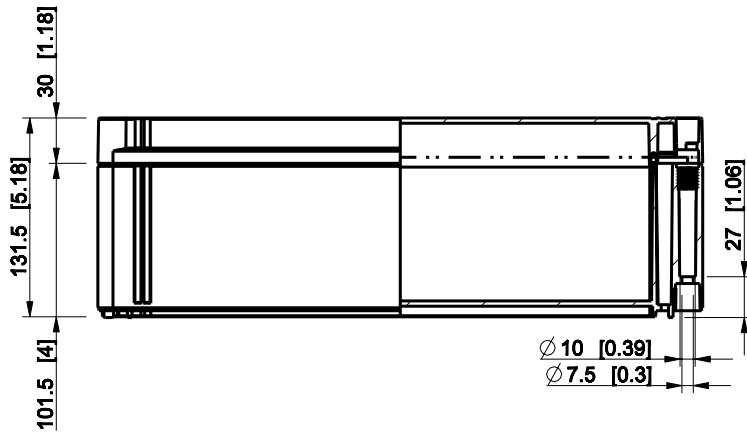
OPCP203018G

Scale	Date	18.12.08
1:5	By	PKos
-	Checked	
-	Ctrl	

Replaces:	
Replaced:	
Drw No:	A
Ref:	Cubo O
Code:	OPCP203018G
Sheet No:	

model OPCP203018G PART
 drawing CUBO_O.drawing

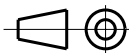
ID	Description	Date	By	Appr.
A				



Dimensions in mm [inches]

Material: Polycarbonate, fiberglass-reinforced	Color: RAL 7035
--	-----------------

Supplier:	Tool No:	Weight [kg]: 1.69	Volume:
-----------	----------	-------------------	---------



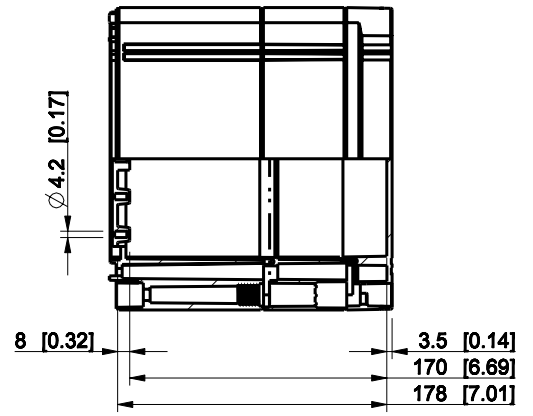
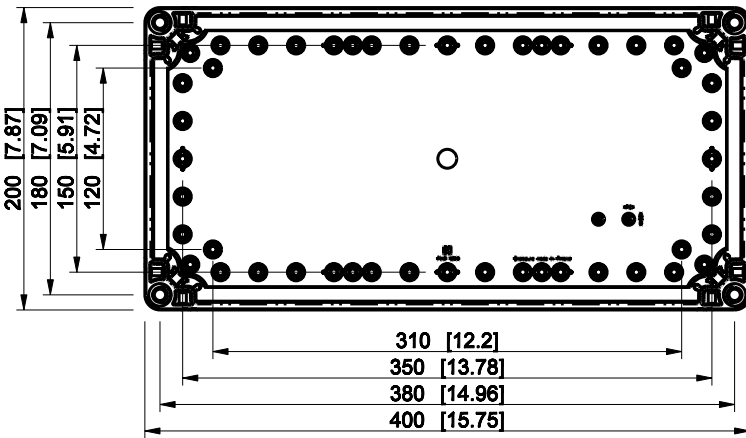
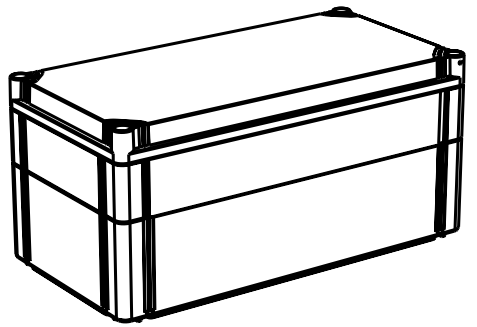
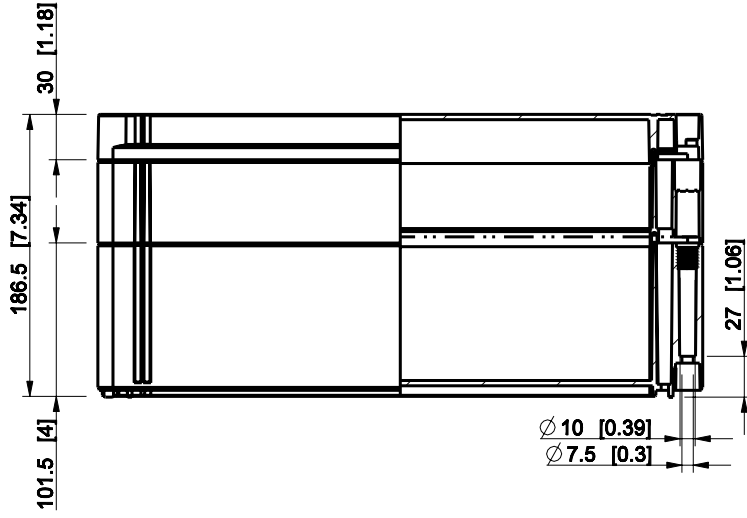
OPCP204013G

Scale	Date	18.12.08
1:5	By	PKos
-	Checked	
-	Ctrl	

Replaces:	
Replaced:	
Drw No:	A
Ref:	Cubo O
Code:	OPCP204013G
Sheet No:	

model OPCP204013G PART
 drawing CUBO_O.drawing

ID	Description	Date	By	Appr.
A				



Dimensions in mm [inches]

Material: Polycarbonate, fiberglass-reinforced	Color: RAL 7035
--	-----------------

Supplier:	Tool No:	Weight [kg]: 2.13	Volume:
-----------	----------	-------------------	---------



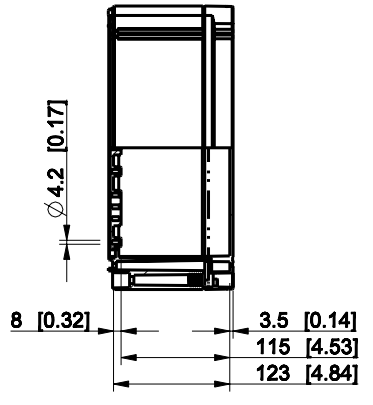
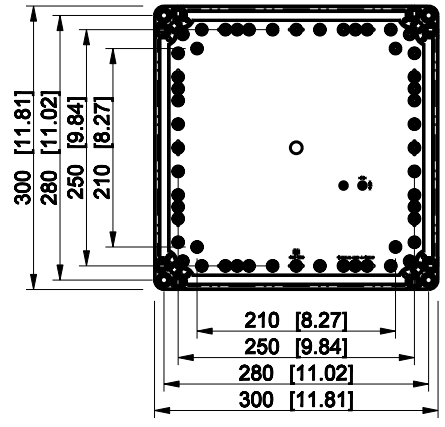
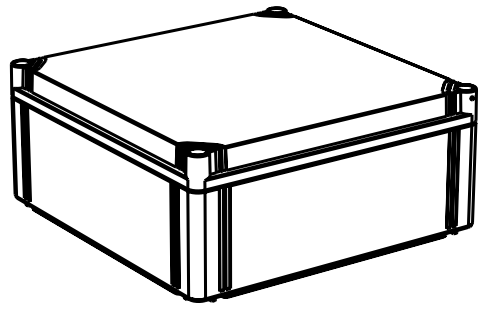
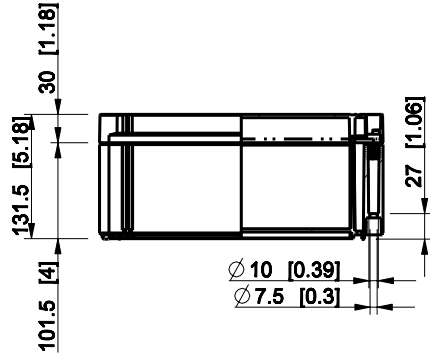
OPCP204018G

Scale	Date	18.12.08
1:5	By	PKos
-	Checked	
-	Ctrl	

Replaces:	
Replaced:	
Drw No:	A
Ref:	Cubo O
Code:	OPCP204018G
Sheet No:	

model OPCP204018G PART
 drawing CUBO_O.drawing

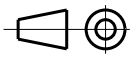
ID	Description	Date	By	Appr.
A				



Dimensions in mm [inches]

Material: Polycarbonate, fiberglass-reinforced	Color: RAL 7035
--	-----------------

Supplier:	Tool No:	Weight [kg]: 1.77	Volume:
-----------	----------	-------------------	---------



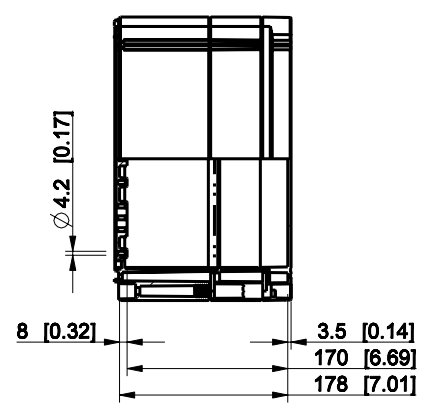
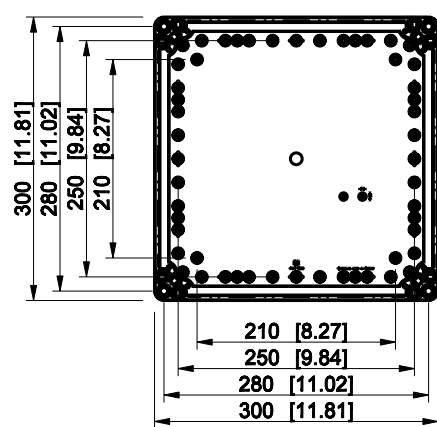
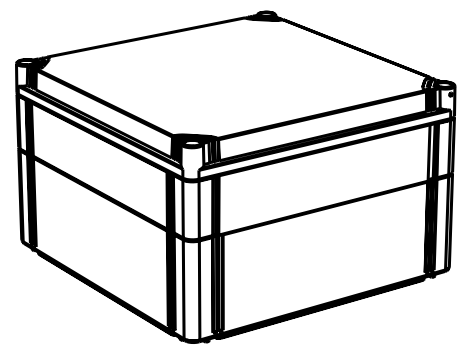
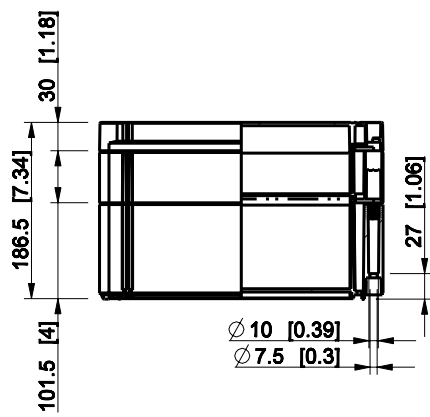
OPCP303013G

Scale	Date	18.12.08
1:8	By	PKos
-	Checked	
-	Ctrl	

Replaces:	
Replaced:	
Drw No:	A
Ref:	Cubo O
Code:	OPCP303013G
Sheet No:	

model: OPCP303013G PART
drawing: CUBO_O.drawing

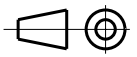
ID	Description	Date	By	Appr.
A				



Dimensions in mm [inches]

Material: Polycarbonate, fiberglass-reinforced	Color: RAL 7035
--	-----------------

Supplier:	Tool No:	Weight [kg]: 2.22	Volume:
-----------	----------	-------------------	---------



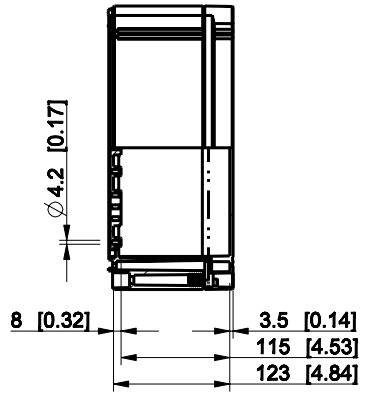
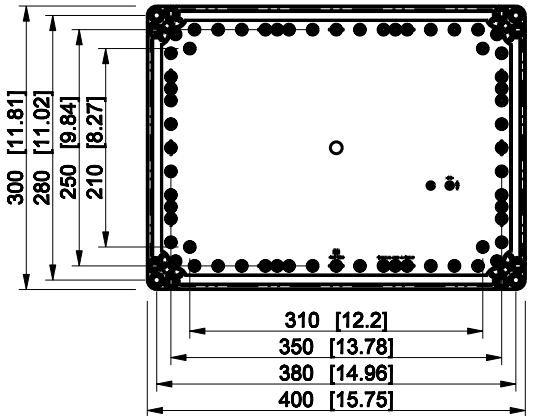
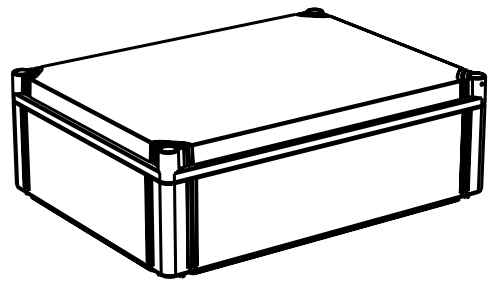
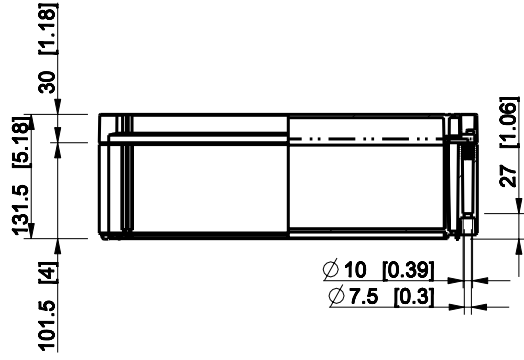
OPCP303018G

Scale	Date	18.12.08
1:8	By	PKos
-	Checked	
-	Ctrl	

Replaces:	
Replaced:	
Drw No:	A
Ref:	Cubo O
Code:	OPCP303018G
Sheet No:	

model OPCP303018G PART
drawing CUBO_O.drawing

ID	Description	Date	By	Appr.
A				



Dimensions in mm [inches]

Material: Polycarbonate, fiberglass-reinforced	Color: RAL 7035
--	-----------------

Supplier:	Tool No:	Weight [kg]: 2.18	Volume:
-----------	----------	-------------------	---------



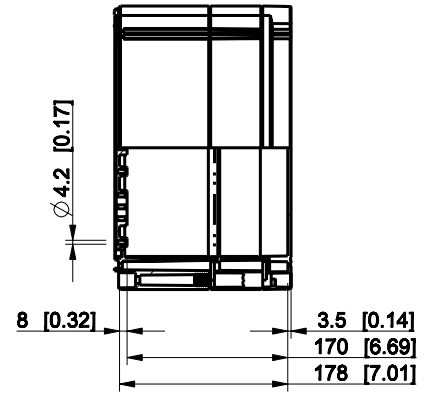
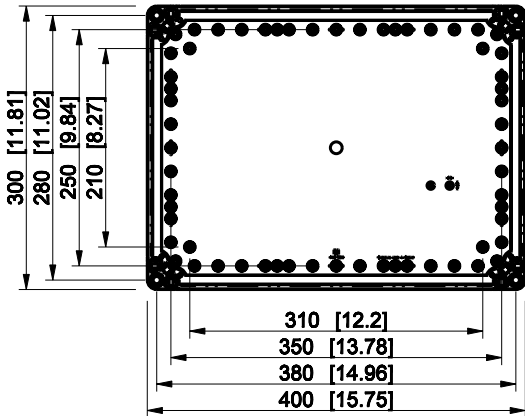
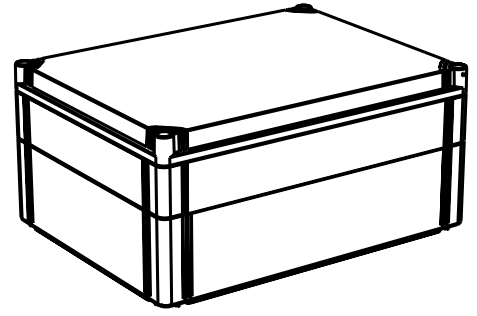
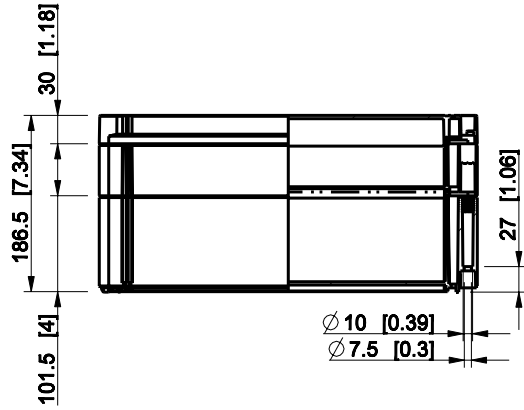
OPCP304013G

Scale	Date	18.12.08
1:8	By	PKos
-	Checked	
-	Ctrl	

Replaces:	
Replaced:	
Drw No:	A
Ref:	Cubo O
Code:	OPCP304013G
Sheet No:	

model OPCP304013G PART
 drawing CUBO_O.drawing

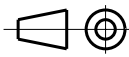
ID	Description	Date	By	Appr.
A				



Dimensions in mm [inches]

Material: Polycarbonate, fiberglass-reinforced Color: RAL 7035

Supplier: Tool No: Weight [kg]: 2.70 Volume:



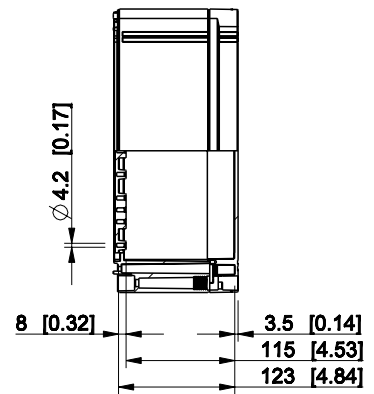
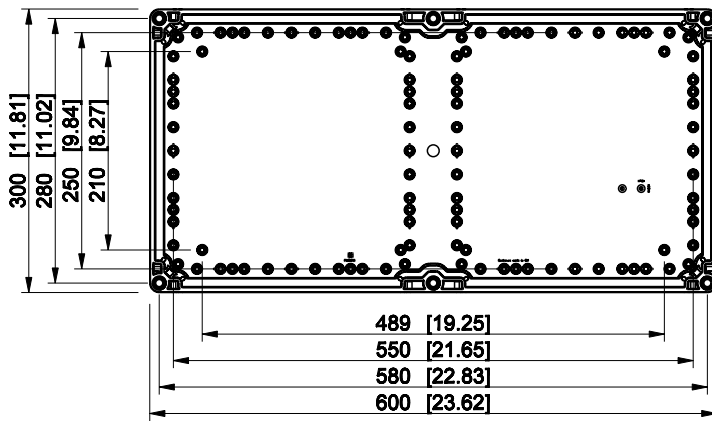
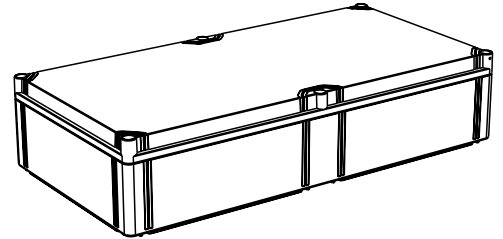
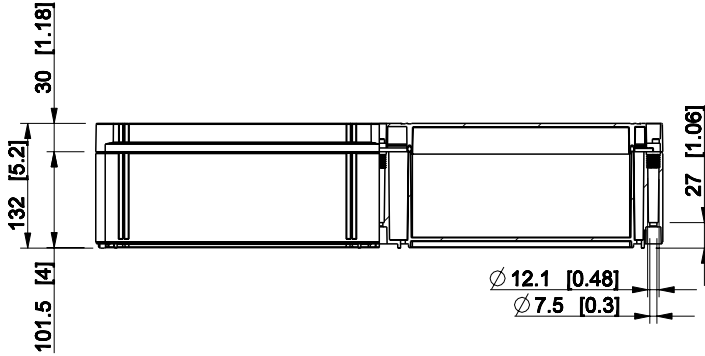
OPCP304018G

Scale	Date	18.12.08
1:8	By	PKos
-	Checked	
-	Ctrl	

Replaces:	
Replaced:	
Drw No:	A
Ref:	Cubo O
Code:	OPCP304018G
Sheet No:	

model OPCP304018G PART
drawing CUBO_O.drawing

ID	Description	Date	By	Appr.
B				



Dimensions in mm [inches]

Material: Polycarbonate, fiberglass-reinforced	Color: RAL 7035
--	-----------------

Supplier:	Tool No: -	Weight [kg]: 3.10	Volume:
-----------	------------	-------------------	---------



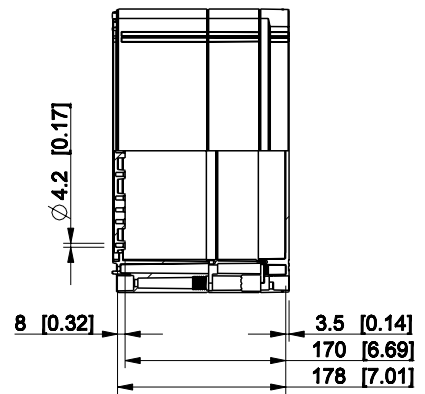
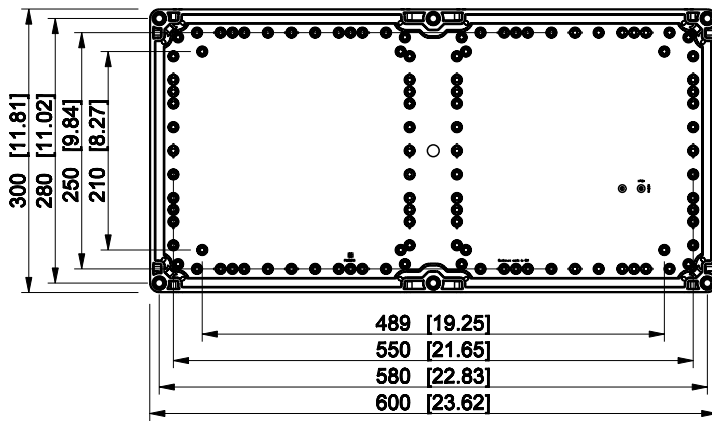
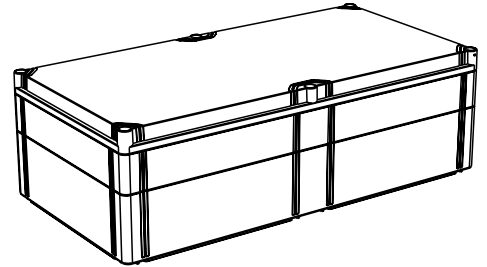
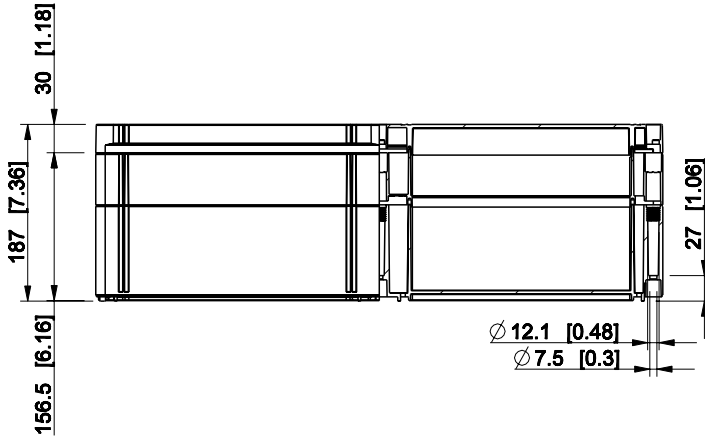
OPCP306013G

Scale	Date	19.04.10
1:8	By	PKos
-	Checked	
-	Ctrl	

Replaces:	
Replaced:	
Drw No: -	B
Ref:	Cubo O
Code:	OPCP306013G
Sheet No:	

model OPCP306013G PART
drawing CUBO_O_1B.DRAWING

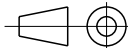
ID	Description	Date	By	Appr.
B				



Dimensions in mm [inches]

Material: Polycarbonate, fiberglass-reinforced	Color: RAL 7035
--	-----------------

Supplier:	Tool No: -	Weight [kg]: 3.78	Volume:
-----------	------------	-------------------	---------



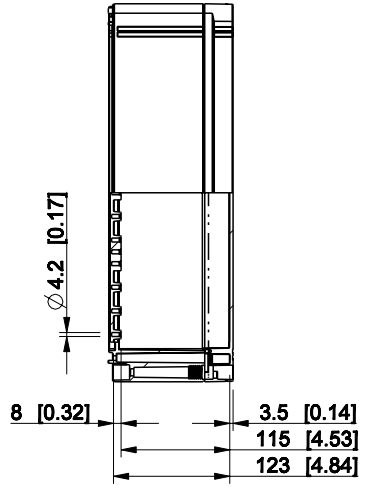
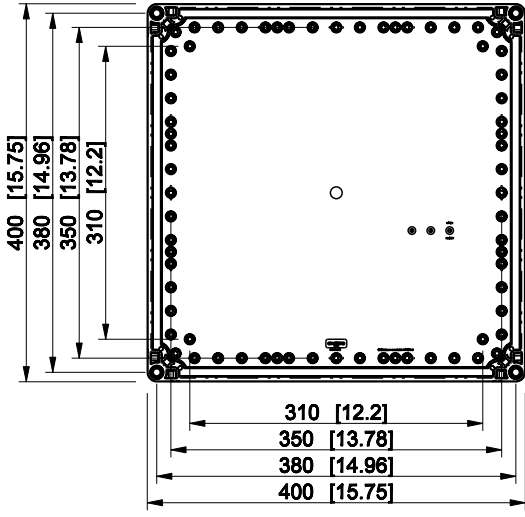
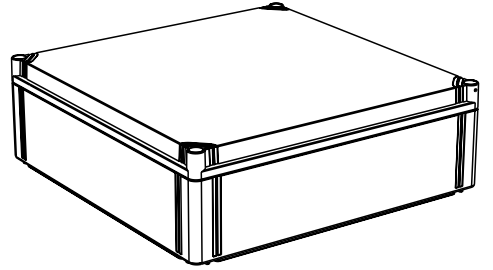
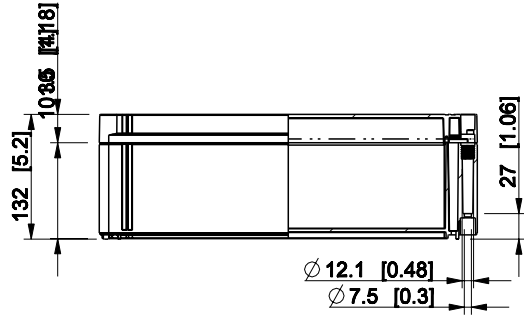
OPCP306018G

Scale	Date	19.04.10
1:8	By	PKos
-	Checked	
-	Ctrl	

Replaces:
Replaced:
Drw No: - B
Ref: Cubo O
Code: OPCP306018G
Sheet No:

model OPCP306018G PART
drawing CUBO_O_1B.DRAWING

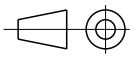
ID	Description	Date	By	Appr.
A				



Dimensions in mm [inches]

Material: Polycarbonate, fiberglass-reinforced	Color: RAL 7035
--	-----------------

Supplier:	Tool No: -	Weight [kg]: 2.67	Volume:
-----------	------------	-------------------	---------



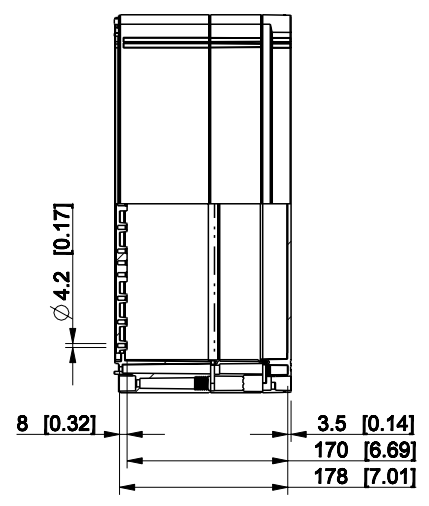
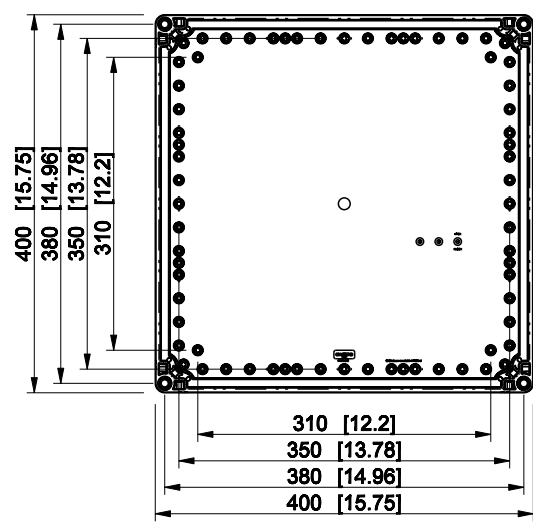
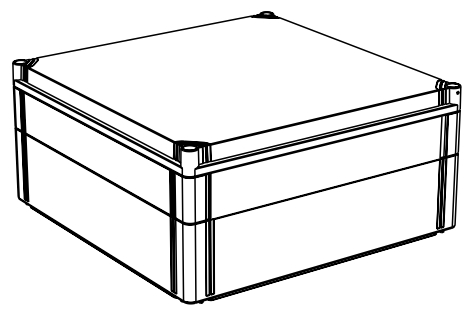
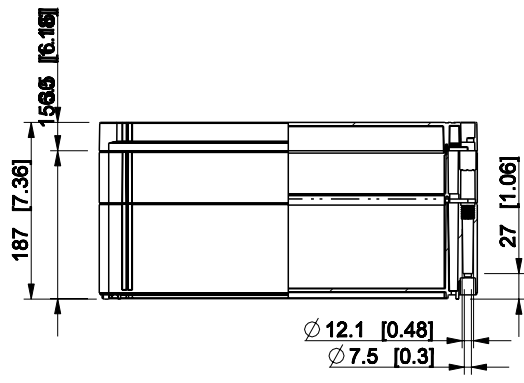
OPCP404013G

Scale	Date	19.04.10
1:8	By	PKos
-	Checked	
-	Ctrl	

Replaces:
Replaced:
Drw No: - A
Ref: Cubo O
Code: OPCP404013G
Sheet No:

model OPCP404013G PART
drawing CUBO_O.drawing

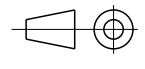
ID	Description	Date	By	Appr.
A				



Dimensions in mm [inches]

Material: Polycarbonate, fiberglass-reinforced	Color: RAL 7035
--	-----------------

Supplier:	Tool No: -	Weight [kg]: 3.26	Volume:
-----------	------------	-------------------	---------



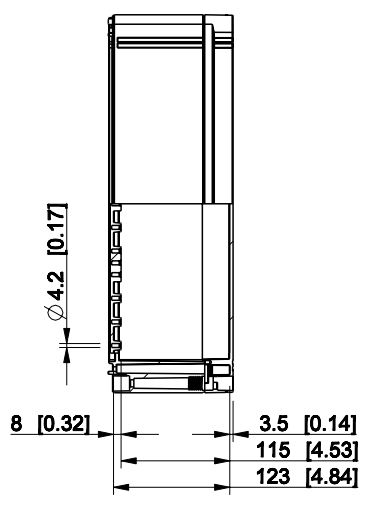
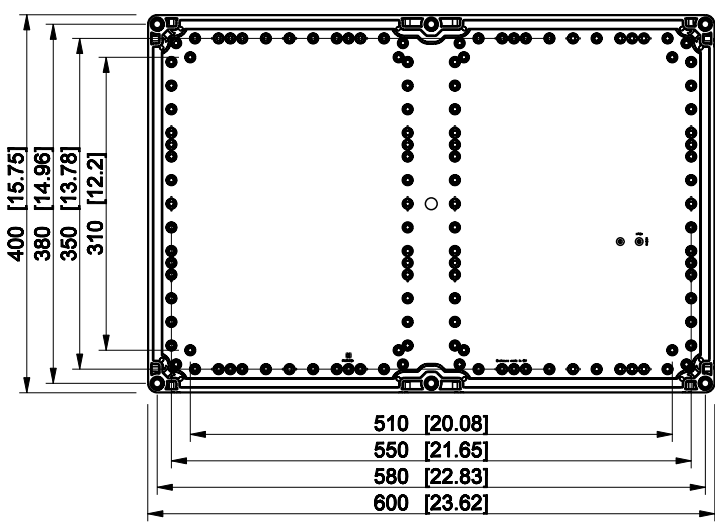
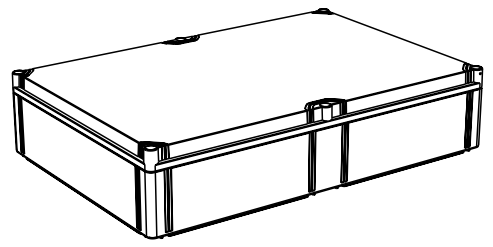
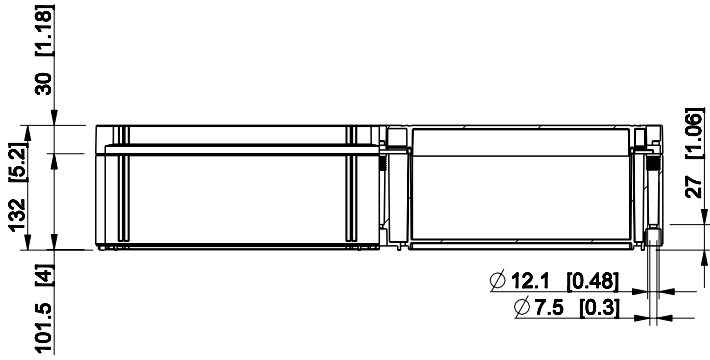
OPCP404018G

Scale	Date	19.04.10
1:8	By	PKos
-	Checked	
-	Ctrl	

Replaces:
Replaced:
Drw No: - A
Ref: Cubo O
Code: OPCP404018G
Sheet No:

model OPCP404018G PART
 drawing CUBO_O.drawing

ID	Description	Date	By	Appr.
B				



Dimensions in mm [inches]

Material: Polycarbonate, fiberglass-reinforced	Color: RAL 7035
--	-----------------

Supplier:	Tool No: -	Weight [kg]: 3.76	Volume:
-----------	------------	-------------------	---------



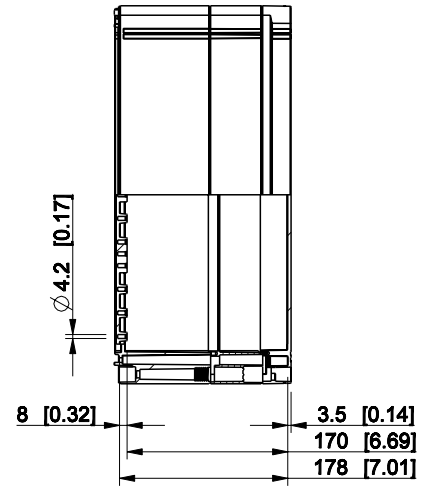
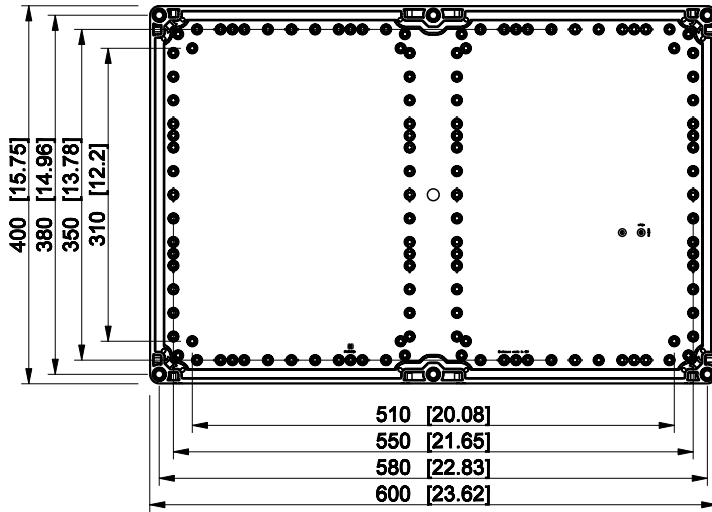
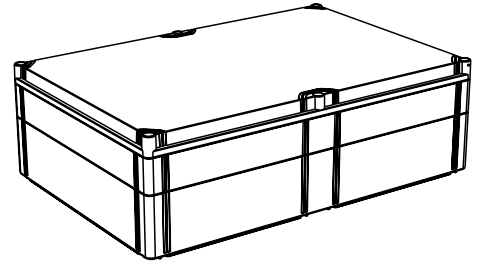
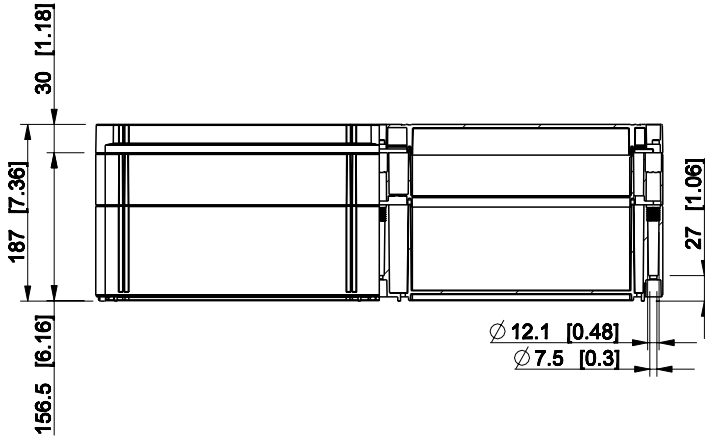
OPCP406013G

Scale	Date	19.04.10
1:8	By	PKos
-	Checked	
-	Ctrl	

Replaces:
Replaced:
Drw No: - B
Ref: Cubo O
Code: OPCP406013G
Sheet No:

model OPCP406013G PART
 drawing CUBO_O_1B.DRAWING

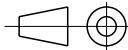
ID	Description	Date	By	Appr.
B				



Dimensions in mm [inches]

Material: Polycarbonate, fiberglass-reinforced	Color: RAL 7035
--	-----------------

Supplier:	Tool No: -	Weight [kg]: 4.52	Volume:
-----------	------------	-------------------	---------



OPCP406018G

Scale	Date	19.04.10
1:8	By	PKos
-	Checked	
-	Ctrl	

Replaces:	
Replaced:	
Drw No:	- B
Ref:	Cubo O
Code:	OPCP406018G
Sheet No:	

model OPCP406018G PART
drawing CUBO_O_1B.drawing