



SafyBox CA

Double Insulation enclosure

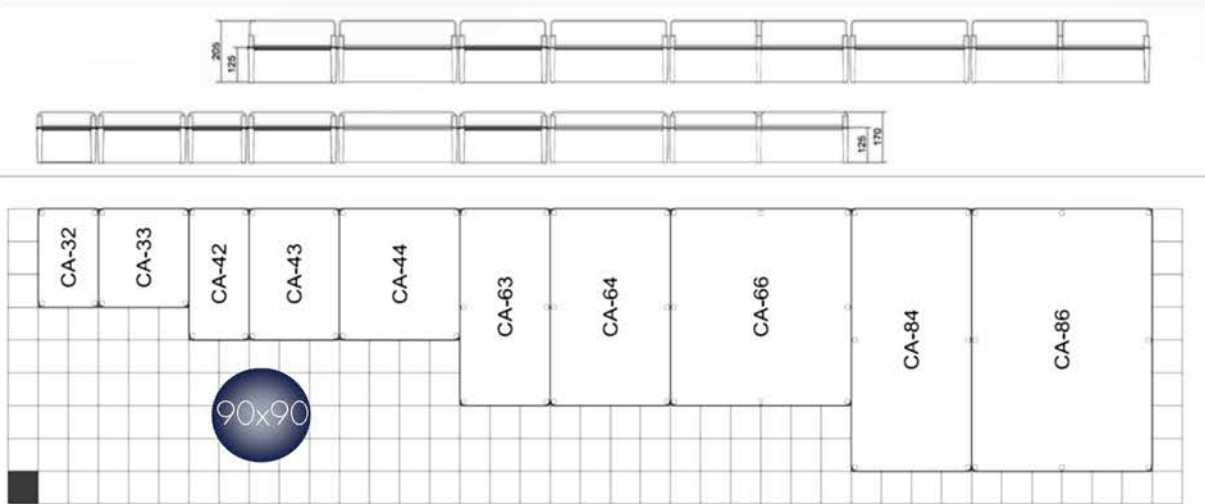
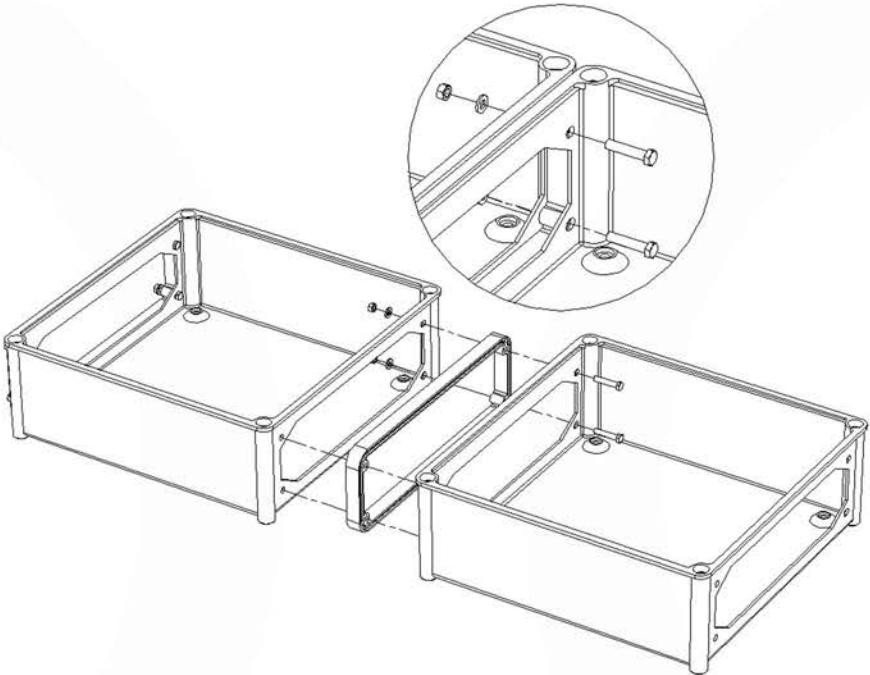


Non - metallic Enclosures

Made of fiberglass-reinforced polyester 7035, They are exceptionally durable, corrosion resistant, can withstand abuse & exposure to chemicals, water and extreme condition

polyester modular system

- stop to corrosion
- fire retardant
- waterproof
- double isolation
- customizable
- end user friendly



Coupling flanges to connect enclosures between each other to build modular panels



applications indoor -outdoor

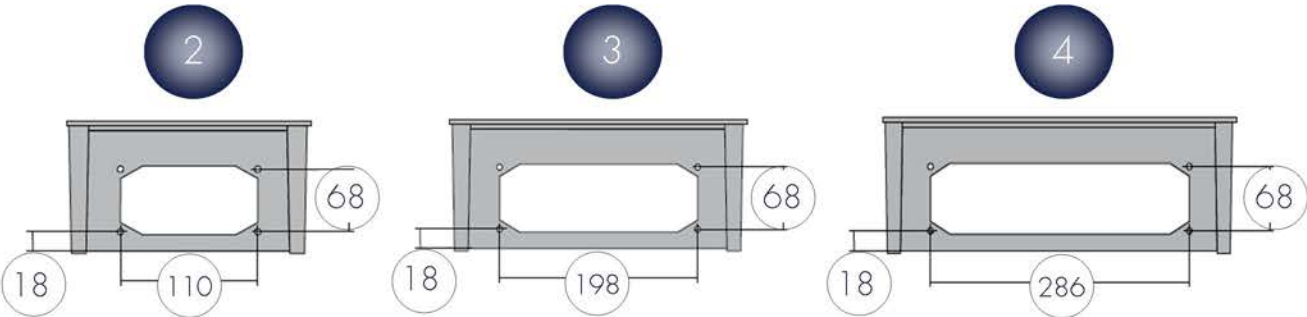


We fully customize the enclosures as per your requirements : Cutouts, windows...



Double Insulation Polyester Boxes.
Fully Customization. Light Grey colour
RAL7035.

standard openings



custom laser



Get rid of labels that can be lost or faded!

Eliminate costly document holder, we will mark the wiring diagram directly in your enclosure!

Our laser printing system allows you to print:

Your Company Logo or Corporate Image

Your QR/Bidi code

.....THINK OUT OF THE BOX &
GO BEYOND YOUR IMAGINATION.....



custom punching



We customize your enclosure on our fully automated 3D machine tool sections, been able to achieve the most complex drilling and machining on any of the enclosure sides, back and door/cover.

From cable entries, pushbutton and display cutouts, to different openings for modular enclosures we offer this comprehensive range of electrical and mechanical services to reduce the cost and time of our customers.



Our enclosure customized solutions are panel builder friendly, ready for direct assembling and avoiding manual machining and cut outs, most of the times inaccurate and inefficient.

In addition, due to our production structure, lead times on customized enclosures are similar to standard enclosures in most of the cases and on top of this there are no minimum order requirements, even a 1 off prototype unit can be ordered for customer approval.

Your project ready, quick, convenient, fully customized and budget driven.



box transparent cover

Includes : Polyamide rear back panel • UV stabilized polycarbonate cover with gasket
 • bag with tft-4000 cover screws • no screws for back plate fixing

CODE	DIMENSION	DESCRIPTION	EUROS	PACKING	WEIGHT
CA-1515	135x135x130	TRANSPARENT LID	8		0,36
CA-215	180x135x130	TRANSPARENT LID	8		0,41
CA-220	180x180x130	TRANSPARENT LID	6		0,49
CA-315	270x135x130	TRANSPARENT LID	4		0,53



box opaque cover

Includes : Polyamide rear back panel • UV stabilized polycarbonate cover with gasket
 • bag with tft-4000 cover screws • no screws for back plate fixing

CODE	DIMENSION	DESCRIPTION	EUROS	PACKING	WEIGHT
CA-1515	135x135x130	OPAQUE COVER		8	0,36
CA-215	180x135x130	OPAQUE COVER		8	0,41
CA-220	180x180x130	OPAQUE COVER		6	0,49
CA-315	270x135x130	OPAQUE COVER		4	0,53



box transparent cover

Includes : Polyester rear panel – UV stabilized polycarbonate cover with gasket
 – bag with tft-400 cover screws – M6x10 screws for back plate fixing

CODE	DIMENSION	DESCRIPTION	EUROS	PACKING	WEIGH
CA-32	270x180x170	TRANSPARENT LID		4	1,21
CA-33	270x270x170	TRANSPARENT LID		4	1,53
CA-42	360x180x170	TRANSPARENT LID		4	1,32
CA-43	360x270x170	TRANSPARENT LID		2	1,77
CA-43a	360x270x205	HIGH TRANSPARENT LID		4	1,91
CA-44	360x360x170	TRANSPARENT LID		2	2,31
CA-44a	360x360x205	HIGH TRANSPARENT LID		2	2,42
CA-63	540x270x170	TRANSPARENT LID		2	2,78
CA-63a	540x270x205	HIGH TRANSPARENT LID		2	2,95
CA-64	540x360x170	TRANSPARENT LID		1	4,33
CA-64a	540x360x205	HIGH TRANSPARENT LID		2	4,06
CA-66	540x540x170	TRANSPARENT LID		1	5,57
CA-66a	540x540x205	HIGH TRANSPARENT LID		1	5,79
CA-84a	720x360x205	HIGH TRANSPARENT LID		1	5,49
CA-86a	720x540x205	HIGH TRANSPARENT LID		1	7,57



box opaque cover

Includes : Polyester rear panel – UV stabilized polycarbonate cover with gasket
 – bag with tft-400 cover screws – M6x10 screws for back plate fixing

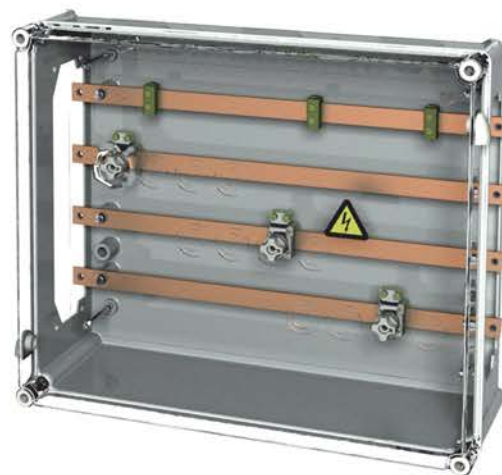
CODE	DIMENSION	DESCRIPTION	EUROS	PACKING	WEIGHT
CA-32s	270x180x170	OPAQUE LID		4	1,21
CA-33s	270x270x170	OPAQUE LID		4	1,53
CA-42s	360x180x170	OPAQUE LID		4	1,32
CA-43s	360x270x170	OPAQUE LID		2	1,77
CA-43as	360x270x205	HIGH OPAQUE LID		4	1,91
CA-44s	360x360x170	OPAQUE LID		2	2,31
CA-44as	360x360x205	HIGH OPAQUE LID		2	2,42
CA-63s	540x270x170	OPAQUE LID		2	2,78
CA-63as	540x270x205	HIGH OPAQUE LID		2	2,95
CA-64s	540x360x170	OPAQUE LID		1	4,33
CA-64as	540x360x205	HIGH OPAQUE LID		2	4,06
CA-66s	540x540x170	OPAQUE LID		1	5,57
CA-66as	540x540x205	HIGH OPAQUE LID		1	5,79
CA-84as	720x360x205	HIGH OPAQUE LID		1	5,49
CA-86as	720x540x205	HIGH OPAQUE LID		1	7,57



IP-43 busbar boxes

Includes : Polyester rear panel – UV stabilized polycarbonate cover with gasket
 – bag with tft-400 cover screws – M6x10 screws for back plate fixing

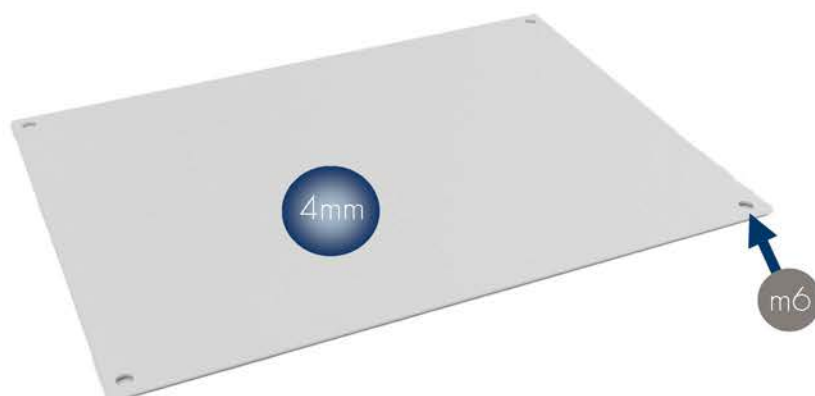
CODE	DIMENSION	DESCRIPTION	EUROS	PACKING	WEIGHT
CA-4829	480X290X195	SPECIAL FOR CU-BARS IP43		1	2,79
CA-4840	480X405X195	SPECIAL FOR CU-BARS IP43		1	3,62
CA-5840	580X405X195	SPECIAL FOR CU-BARS IP43		1	4,29
CA-6329	630X290X195	SPECIAL FOR CU-BARS IP43		1	4,72
CA-6340	630X405X195	SPECIAL FOR CU-BARS IP43		1	3,32



polyester base plates

Polyester base plate 4mm, screws M6x10 not included. Under demand up to 10mm

CODE	DIMENSION	DESCRIPTION	EUROS	PACKING	WEIGHT
PP-1515		POLYESTER BASE PLATE		10	0,07
PP-215		POLYESTER BASE PLATE		10	0,08
PP-220		POLYESTER BASE PLATE		10	0,11
PP-315		POLYESTER BASE PLATE		10	0,12
PP-32		POLYESTER BASE PLATE		10	0,16
PP-33		POLYESTER BASE PLATE		10	0,26
PP-42		POLYESTER BASE PLATE		10	0,21
PP-43		POLYESTER BASE PLATE		10	0,48
PP-44		POLYESTER BASE PLATE		10	0,71
PP-63		POLYESTER BASE PLATE		10	0,81
PP-64		POLYESTER BASE PLATE		10	0,88
PP-66		POLYESTER BASE PLATE		10	1,64
PP-84		POLYESTER BASE PLATE		10	1,51
PP-86		POLYESTER BASE PLATE		10	2,29



PC transparent UV lid

Gasket included, no fixing screws

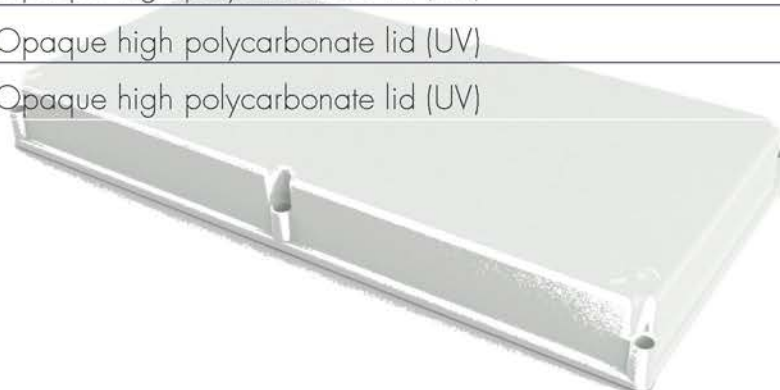
CODE	DESCRIPTION	EUROS	PACKING	WEIGHT
TT-1515	Transparent polycarbonate lid (UV)		1	0,09
TT-215	Transparent polycarbonate lid (UV)		1	0,12
TT-220	Transparent polycarbonate lid (UV)		1	0,15
TT-315	Transparent polycarbonate lid (UV)		1	0,17
TT-32	Transparent polycarbonate lid (UV)		1	0,29
TT-33	Transparent polycarbonate lid (UV)		1	0,34
TT-42	Transparent polycarbonate lid (UV)		1	0,33
TT-43	Transparent polycarbonate lid (UV)		1	0,44
TT-43a	Transparent high polycarbonate lid (UV)		1	0,54
TT-44	Transparent polycarbonate lid (UV)		1	0,64
TT-44a	Transparent high polycarbonate lid (UV)		1	0,79
TT-63	Transparent polycarbonate lid (UV)		1	0,87
TT-63a	Transparent high polycarbonate lid (UV)		1	0,97
TT-64	Transparent polycarbonate lid (UV)		1	1,19
TT-64a	Transparent high polycarbonate lid (UV)		1	1,37
TT-66	Transparent polycarbonate lid (UV)		1	1,70
TT-66a	Transparent high polycarbonate lid (UV)		1	1,85
TT-84a	Transparent high polycarbonate lid (UV)		1	1,60
TT-86a	Transparent high polycarbonate lid (UV)		1	2,65



PC opaque UV lid

Gasket included, no fixing screws

CODE	DIMENSION	DESCRIPTION	EUROS	PACKING	WEIGHT
TO-1515		Opaque polycarbonate lid (UV)			1 0,09
TO-215		Opaque polycarbonate lid (UV)			1 0,12
TO-220		Opaque polycarbonate lid (UV)			1 0,15
TO-315		Opaque polycarbonate lid (UV)			1 0,17
TO-32		Opaque polycarbonate lid (UV)			1 0,29
TO-33		Opaque polycarbonate lid (UV)			1 0,34
TO-42		Opaque polycarbonate lid (UV)			1 0,33
TO-43		Opaque polycarbonate lid (UV)			1 0,44
TO-43a		Opaque high polycarbonate lid (UV)			1 0,54
TO-44		Opaque polycarbonate lid (UV)			1 0,64
TO-44a		Opaque high polycarbonate lid (UV)			1 0,79
TO-63		Opaque polycarbonate lid (UV)			1 0,87
TO-63a		Opaque high polycarbonate lid (UV)			1 0,97
TO-64		Opaque polycarbonate lid (UV)			1 1,19
TO-64a		Opaque high polycarbonate lid (UV)			1 1,37
TO-66		Opaque polycarbonate lid (UV)			1 1,70
TO-66a		Opaque high polycarbonate lid (UV)			1 1,85
TO-84a		Opaque high polycarbonate lid (UV)			1 1,60
TO-86a		Opaque high polycarbonate lid (UV)			1 2,65

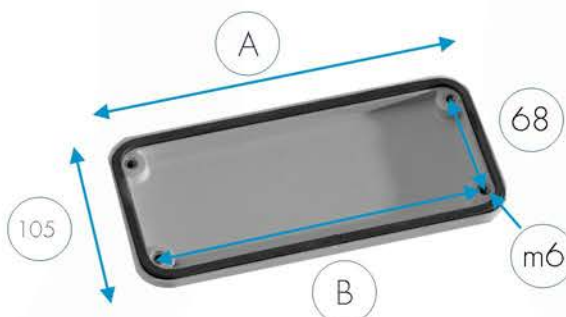


end cover + connecting flanges

Gasket included, screws included. Standard openings under demand

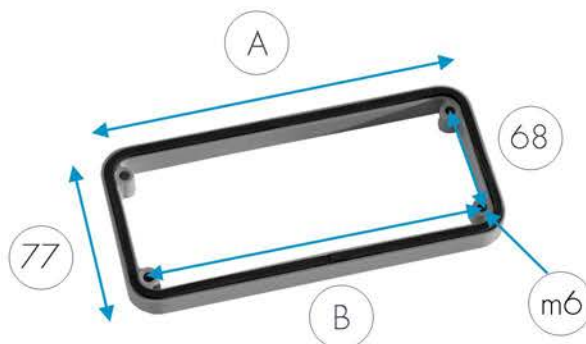
CODE	DESCRIPTION	EUROS	WEIGHT
TC-02	blind lid full open2		0,14
TC-03	blind lid full open3		0,24
TC-04	blind lid full open4		0,25

	A	B
tc-02	133	106
tc-03	223	198
tc-04	313	286



CODE	DESCRIPTION	EUROS	WEIGHT
BA-20	Connecting flange full items open2		0,12
BA-30	Connecting flange full items open3		0,15
BA-40	Connecting flange full items open4		0,19

	A	B
ba-02	133	106
ba-03	223	198
ba-04	313	286



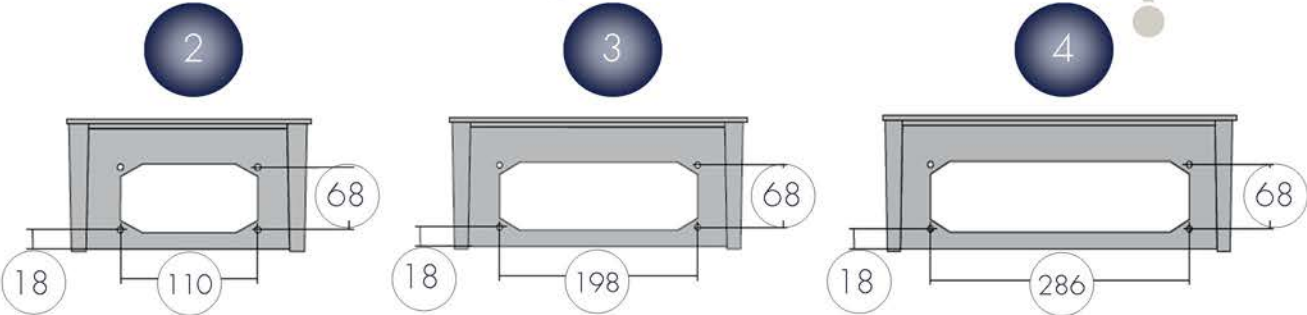
cable-box + grommet

Cable boxes including gasket and screws

CODE	DESCRIPTION	EUROS	WEIGHT
CC-03-cj	Blind cable enclosure open3		0,60
CC-04-cj	Blind cable enclosure open4		0,82



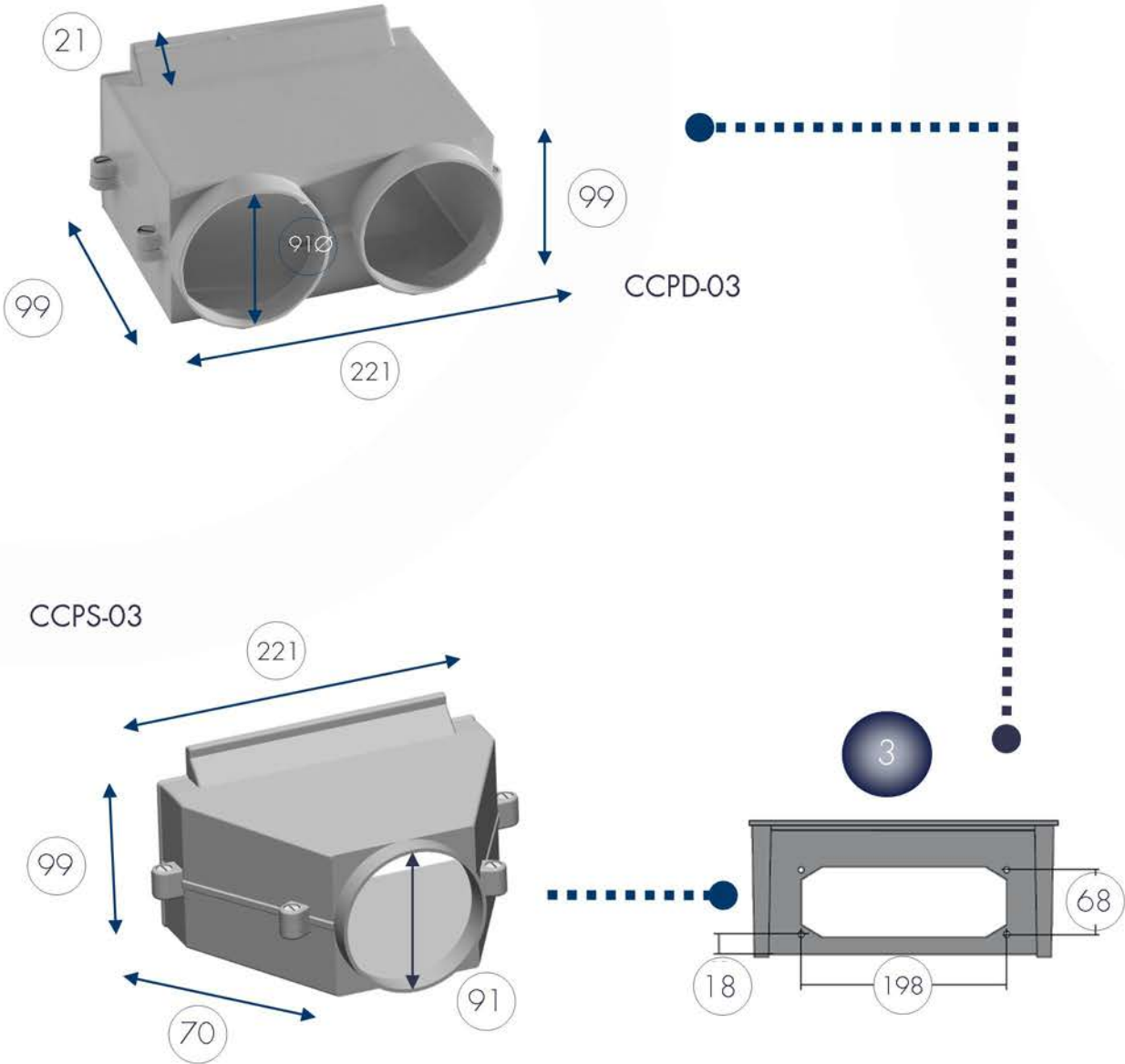
standard openings



cable-box + grommet

Cable boxes including gasket and screws

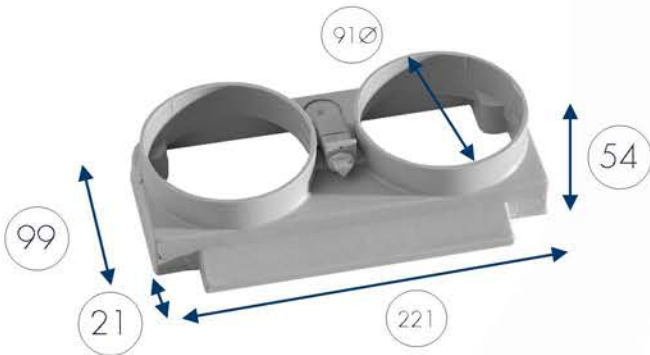
CODE	DESCRIPTION	EUROS	WEIGHT
CCPD-03	Double-Split cable enclosure		0,55
CCPS-03	Split cable enclosure		0,50



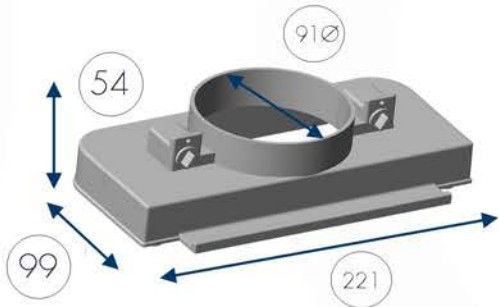
cable-box + grommet

Cable boxes including gasket and screws

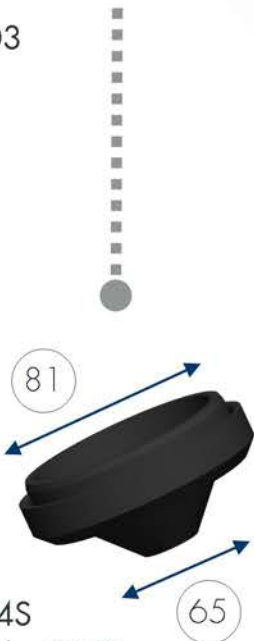
CODE	DESCRIPTION	EUROS	WEIGHT
BPD-03	Double-Split cable flange		0,29
BPS-03	Split cable flange		0,32
DON-4S	Rubber grommet 65mm open		0,11



BPD-03



BPS-03

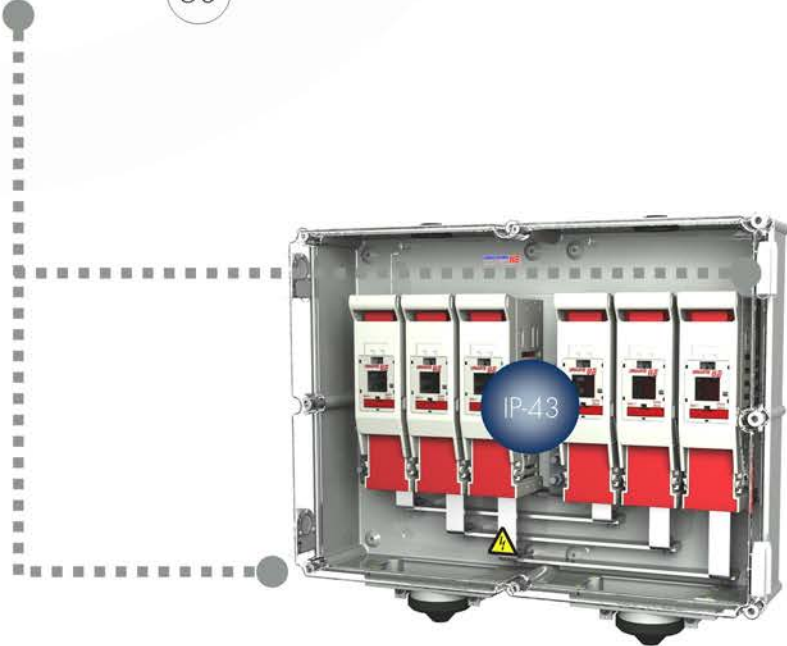
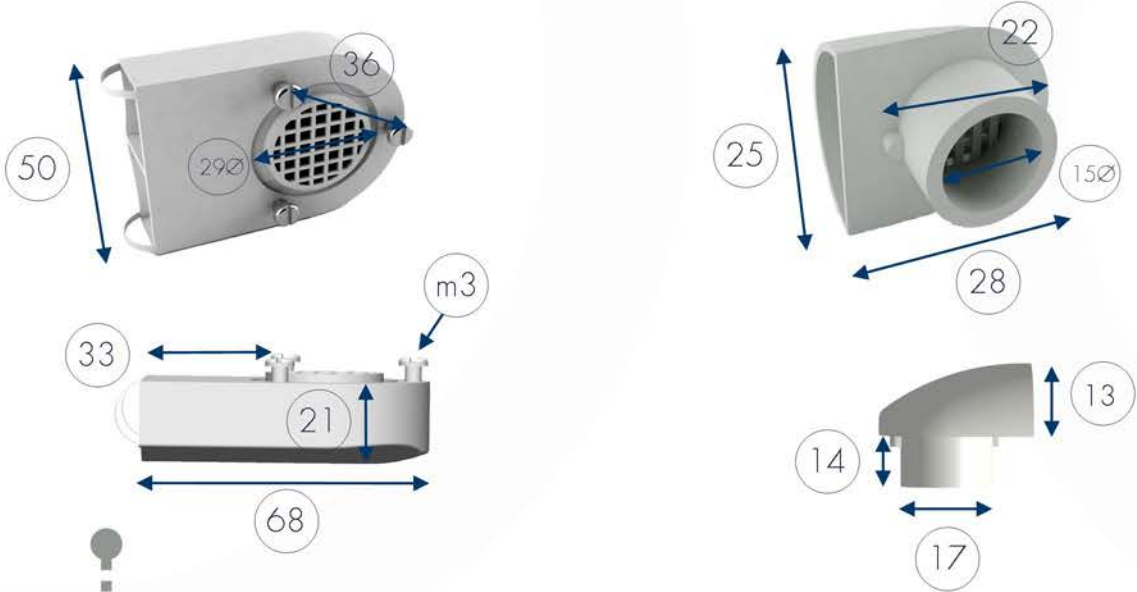


DON-4S
max tube 91mm

ventilation devices

Gasket included, screws included. Standard openings under demand

CODE	DESCRIPTION	EUROS	WEIGHT
DV-M	Ventilation device mini		0,01
DV-G	Ventilation device big		0,03



inspection UV windows

Cover springless flat and high polycarbonate UV stabilized

CODE	DESCRIPTION	EUROS	WEIGHT
TR-4	Frame with lid 4mcb		0,05
TR-4a	Frame with hinged lid 4 mcb		0,07
TR-6	Frame with lid 6 mcb		0,08
TR-6a	Frame with hinged lid 6 mcb		0,09
TR-8	Frame with lid 8 mcb		0,10
TR-8a	Frame with hinged lid 8 mcb		0,11
TR-10	Frame with lid 10 mcb		0,12
TR-10a	Frame with hinged lid 10 mcb		0,13
TR-12	Frame with lid 12 mcb		0,14
TR-12a	Frame with hinged lid 12 mcb		0,15
TR-20	Frame with lid 20 mcb		0,18
TR-24	Frame with lid 24 mcb		0,22

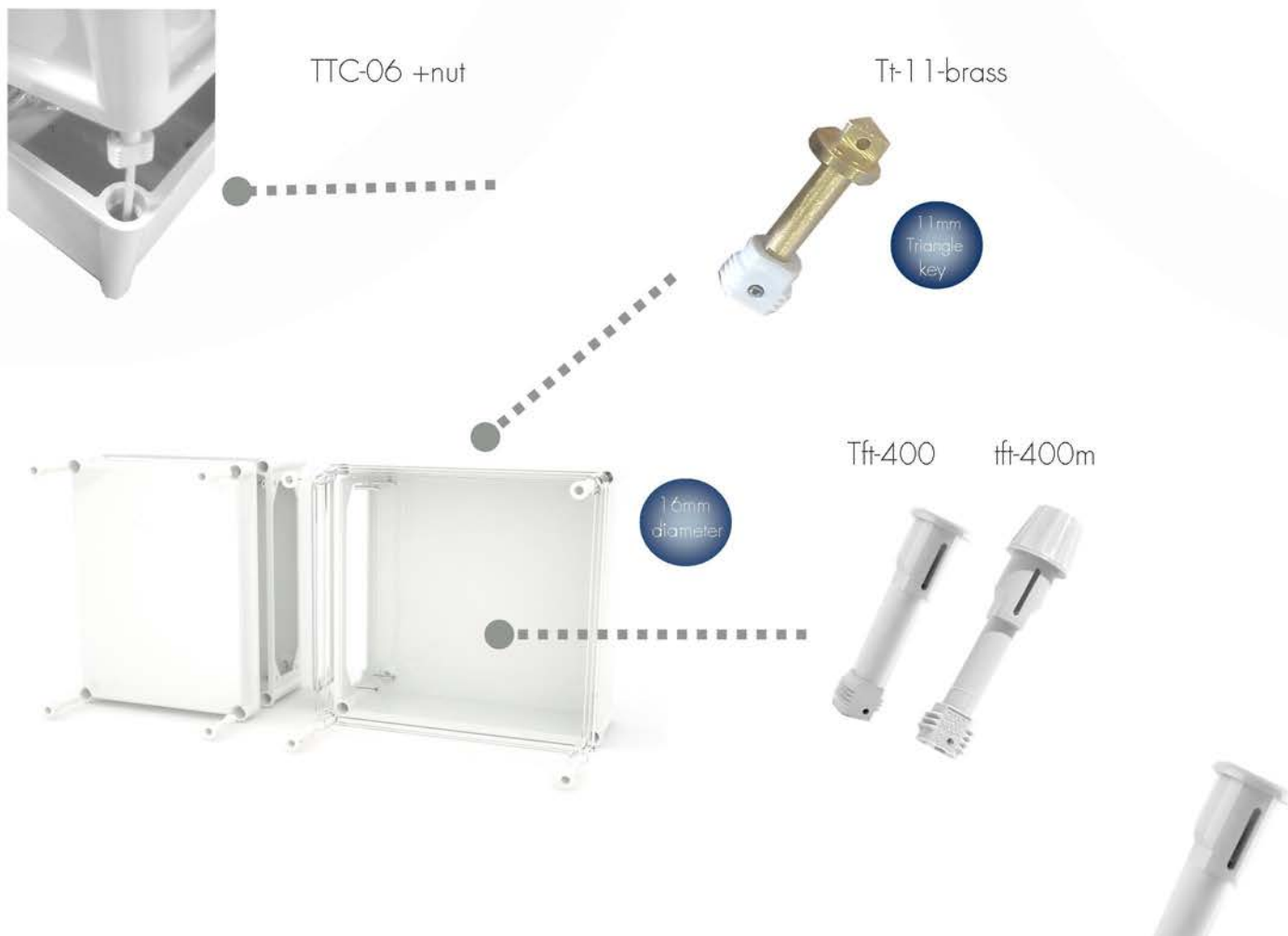


Inspection window tr-4

polycarbonate screws

Screws for CA range, Seasables, in polyamide or brass. TORQUE MAX 3.5

CODE	DESCRIPTION	EUROS	WEIGHT
TFT-4000	SCREWS (1) for CA-1515/CA-315		0,01
TFT-400	SCREWS (1) for CA-32/CA-86		0,01
TFT-400m	SCREWS (1) for CA-32/CA-86 manual		0,01
TTC-160	TRIANGLE 11mm cordel screw CA-32-86		0,01
BO-4+4	Screw set 4 tft-400+ 4 M-6x10		0,06
BO-6+4	Screw set 6 tft-400 + 4 M-6x10		0,08
Tt-11-b	Screw (1) for CA-32/CA-86 brass		0,08



fastening lugs

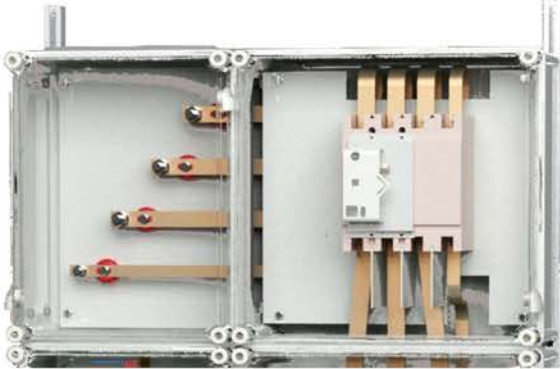
Polyamide 6.6 brackets, stands 200 kgs. Metal under demand

CODE	DESCRIPTION	EUROS	WEIGHT
Bo-OFC-400	Fastening lug (4) for CA-32/CA-86		0,05



Direct wall fastening

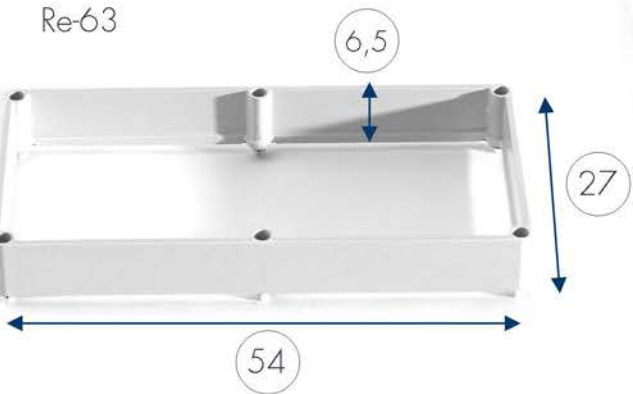
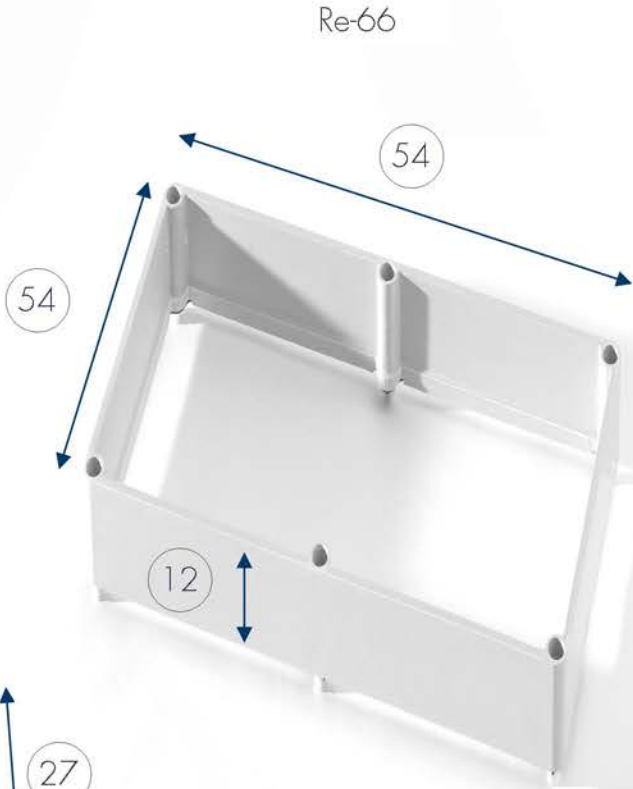
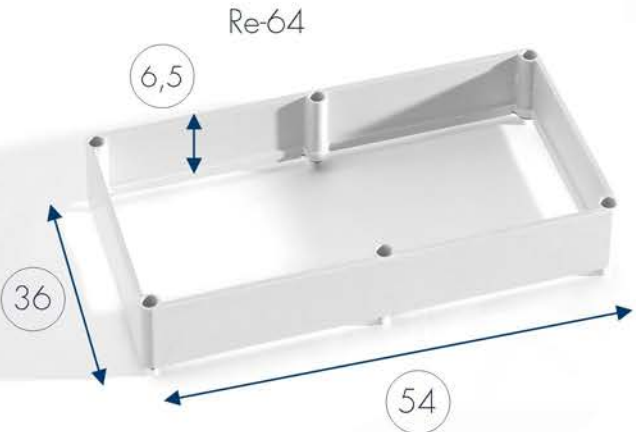
Fastening to a rail



thickening for CA

Include thickening + screws to growing up safybox CA

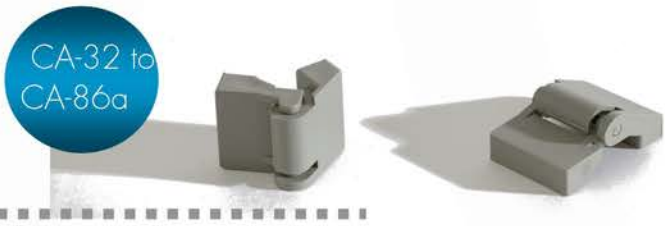
CODE	DESCRIPTION	EUROS	WEIGHT
RE-63	Thickening for CA-63		1,43
RE-64	Thickening for CA-64		1,55
RE-66	Thickening for CA-66		3,94



how to install hinges

Hinges for CA made of polyamide, internal or external

CODE	DESCRIPTION	EUROS	WEIGHT
bo-BRE-ext	External rigid hinge (2)		0,04
bo-bfi-int	Internal cordle hingle (2)		0,02
Bri-int	Internal rigid hinge (1)		0,03
Bri-inttor	External rigid hinge brass (2)		0,05



CA-32 to CA-86a

Bo-BRE-ext : cut body + cover and screw m3



CA-32 to CA-86a



Bri-inttor: drill body+cover 16,5mm and screw



CA-32 to CA-86a



Bri-int: insert into body+drill cover M8 & use glue

