



MONOBLOCK INDUSTRIAL ENCLOSURE IP66 BRES-68

Polyester enclosure 600x 800 x230



Safybox

Characteristics:

- Compression molded boxes & cabinets made from fiberglass-reinforced polyester. Comes in color RAL 7035 Light Grey.
- Self-extinguishing materials according to glow wire tests at 960° C, following UNE-EN-60695-2-10 Standards (IEC 60695-2-10).
- Thermal Class Material according to EN-IEC-60085 Standards. IP-66 rated protection according to UNE EN 60529 Standards (IEC 60529).
- IK-10 impact resistance according to EN 50102 Standards (IEC 62262). Its new door design features an increased impact resistance.
- The door may be opened to 180°. It may be installed with a left or right sided opening orientation thanks to its reversible design. It features a double bar lock insert or, optionally, a triple-point, vandalism-resistant locking mechanism. Its lightweight properties allow an effortless installation.
- Customization options for color, machining, installation accessories, locks, and laser printing for company logos. Polyester or metallic mounting plates may be attached as well.
- Over 10 years of maintenance-free lifespan under standard environmental conditions.

Code

BRES-68

Description

Empty standard enclosure colour light grey RAL 7035

Height x Width x Depth

600 x 800 x 230 mm

Weight

11,96 kg



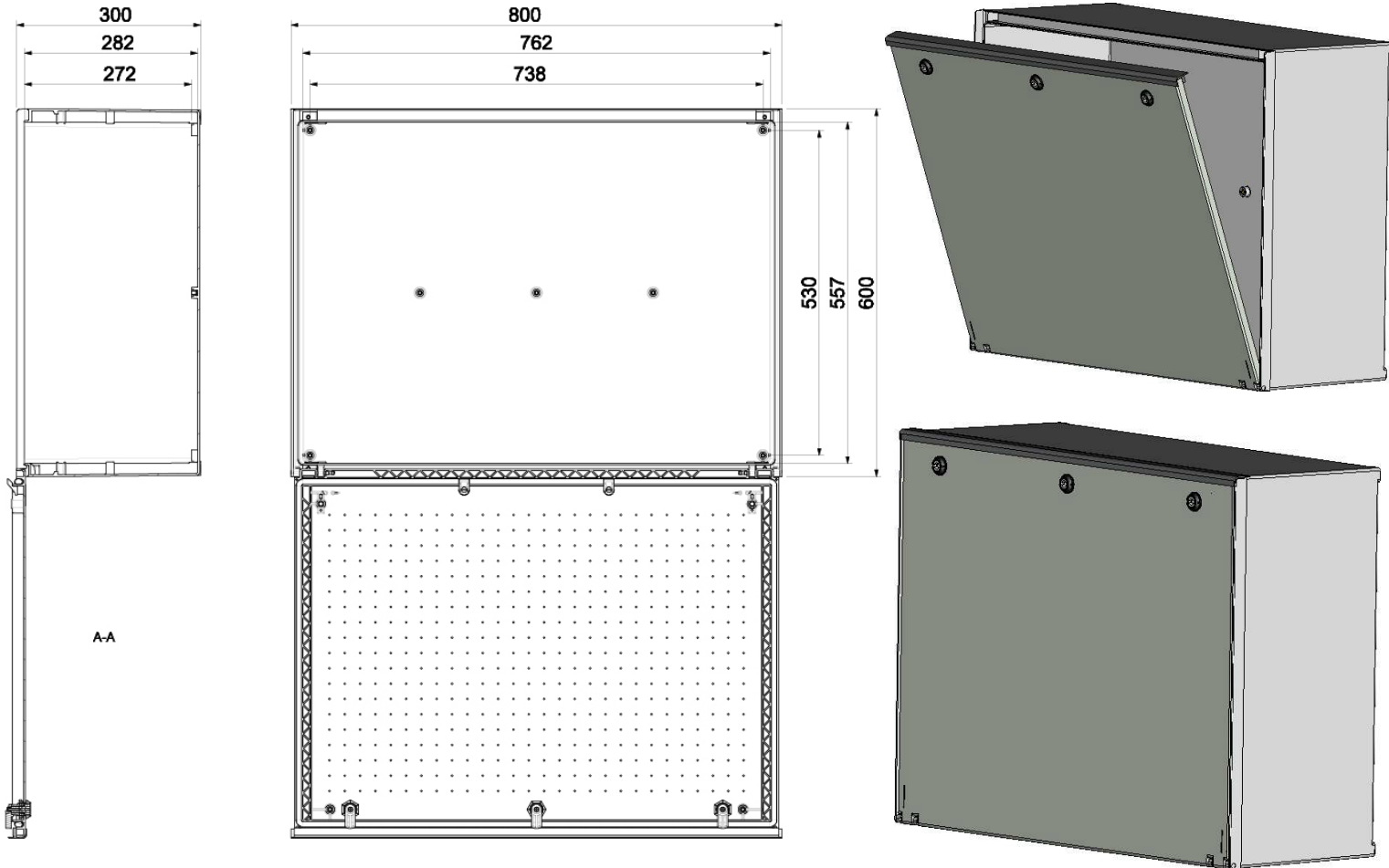


MONOBLOCK INDUSTRIAL ENCLOSURE

IP66

BRES-68

Polyester enclosure 600 x 800 x 230 mm



Packaging

12 Units per pallet 120 x 80 cm (Height 210 cm)

Maximum interior weight tolerance

Max weight 63 kg

Environmental performance

Minimum temperature	-30°C	IP water protection rating IEC-60529	IP66
Maximum temperature	70°C	IK impact rating IEC-62262	IK10

Electrical performance

Nominal tension on direct current up to:	1500
Nominal tension on alternating current up to::	1000
Maximum power dissipation $\Delta T=40^{\circ}C$ (wall installation)	103 W

Installation & mounting system

Interior installation	Yes	Wall mounting	Yes
Exterior installation	Yes	Floor mounting	Yes
Flush mounting	Yes	Pole mounting	Yes

