



# RM and RMS

## Fuse disconnect switches

for industrial and high speed (uR) cylindrical fuses up to 125 A

Fuse protection



### The solution for

- > Small outputs

### Strong points

- > Improved safety
- > High breaking capacity
- > Specific format and accessory
- > Label holder

### Large range

- > Pre-break, please consult us

### Compliance with standards

- > IEC 60269-2,-1
- > IEC 60269-1
- > IEC 60269-2
- > NF EN 60269-1
- > NF C 63-210
- > NF C 63211
- > VDE 0636-10
- > DIN 43620
- > CSA 265615
- > UL E307648



### Function

**RM** and **RMS** are modular fuse disconnect switches for cylindrical fuses. They provide safety disconnection and protection against overloads and short-circuits in any low voltage electrical circuit.

- RM: Non-signalling fuse disconnect switches for fuses without strikers.
- RMS: Fuse disconnect switches with pre-break auxiliary contact, position and blown indication.

### Advantages

#### Improved safety

- Omnipolar and simultaneous breaking.
- High dielectric strength. IP2X protection.

#### Specific format and accessory

- Modular 45-mm cut-out.
- Interlocking with accessory possible.

#### High breaking capacity

Protection against overloads and short-circuits thanks to high breaking capacity fuses (100 kA rms).

## References

### RM - Non-signalling device

| Basic device<br>Fuse size | 32 A <sup>(1)</sup><br>10 x 38   |           | 50 A <sup>(2)</sup><br>14 x 51   |           | 100 A <sup>(2)</sup><br>22 x 58  |           |
|---------------------------|----------------------------------|-----------|----------------------------------|-----------|----------------------------------|-----------|
|                           | To be ordered<br>in multiples of | Reference | To be ordered<br>in multiples of | Reference | To be ordered<br>in multiples of | Reference |
| No. of poles              |                                  |           |                                  |           |                                  |           |
| 1 P                       | 12                               | 5701 0015 | 6                                | 5702 5001 | 6                                | 5703 5001 |
| 1 P + N (1 module)        | 12                               | 5601 5005 |                                  |           |                                  |           |
| 1 P + N (2 modules)       | 6                                | 5701 0017 | 3                                | 5702 5005 | 3                                | 5703 5005 |
| 1 P LED signalling        | 12                               | 5701 0011 | 6                                | 5702 0011 | 6                                | 5703 0011 |
| 2 P                       | 6                                | 5701 0020 | 3                                | 5702 5002 | 3                                | 5703 5002 |
| 3 P                       | 4                                | 5701 0018 | 2                                | 5702 5003 | 2                                | 5703 5003 |
| 3 P + N                   | 3                                | 5701 0019 | 1                                | 5702 5004 | 1                                | 5703 5004 |
| 4 P                       |                                  |           | 1                                | 5702 5006 | 1                                | 5703 5006 |
| N                         | 12                               | 5701 0016 | 6                                | 5702 5000 | 6                                | 5703 5000 |

(1) Devices are cURus and CSA-certified, except 5601 5005.

(2) Devices are cURus-certified.

### RMS - Device with 1 signalling auxiliary contact (AC) <sup>(1)</sup>

| Basic device<br>Fuse size | 50 A <sup>(2)</sup><br>14 x 51   |           | 100 A <sup>(2)</sup><br>22 x 58  |           |
|---------------------------|----------------------------------|-----------|----------------------------------|-----------|
|                           | To be ordered<br>in multiples of | Reference | To be ordered<br>in multiples of | Reference |
| No. of poles              |                                  |           |                                  |           |
| 1 P                       | 6                                | 5702 5011 | 6                                | 5703 5011 |
| 2 P                       | 3                                | 5702 5012 | 3                                | 5703 5012 |
| 3 P                       | 2                                | 5702 5013 | 2                                | 5703 5013 |
| 3 P + N                   | 1                                | 5702 5014 | 1                                | 5703 5014 |
| 4 P                       | 1                                | 5702 5016 | 1                                | 5703 5016 |

(1) The signalling auxiliary contact provides the pre-break, the fuse presence and also blown fuse signal.

(2) Devices are cURus-certified.

## Accessories

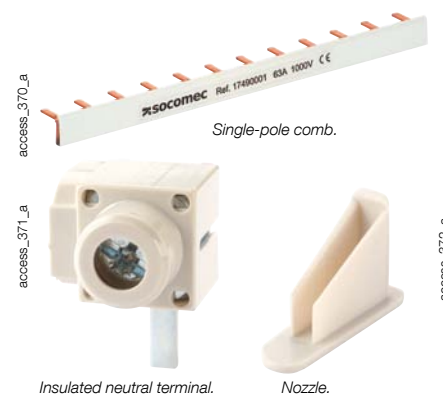
### Connection accessories for RM 32 A 10 x 38

#### Comb bridging connection

| Designation                   | Cross-section (mm <sup>2</sup> ) | Reference |
|-------------------------------|----------------------------------|-----------|
| Unipolar comb with 12 modules | 10                               | 1749 0001 |
| Unipolar comb with 13 modules | 10                               | 1749 0011 |
| Unipolar comb with 57 modules | 10                               | 1749 0021 |
| Unipolar comb with 12 modules | 16                               | 1749 0031 |
| Unipolar comb with 13 modules | 16                               | 1749 0041 |
| Unipolar comb with 57 modules | 16                               | 1749 0051 |
| Nozzle                        |                                  | 1749 8001 |

#### Connection terminals

| Designation   | Reference |
|---|-----------|
| Insulated neutral terminal for a 6 to 25-mm <sup>2</sup> cable, side input          | 1749 9001 |
| Insulated neutral terminal for a 6 to 50-mm <sup>2</sup> cable, side input          | 1749 9002 |
| Fully insulated power feed terminal for a 6 to 25-mm <sup>2</sup> cable, side input | 1749 9003 |
| Right/left insulated terminal, 6 x 25 mm <sup>2</sup>                               | 1749 9004 |



### Something to think about



10x38 RMs equipped with 0.5A gG fuses provide effective protection for voltage inputs and auxiliary power supplies for all our electronic devices (DIRIS, COUNTIS, ISOM, RESYS differential relays, etc...)

# RM and RMS

## Fuse disconnect switches

for industrial and high speed (uR) cylindrical fuses up to 125 A

### Accessories (continued)

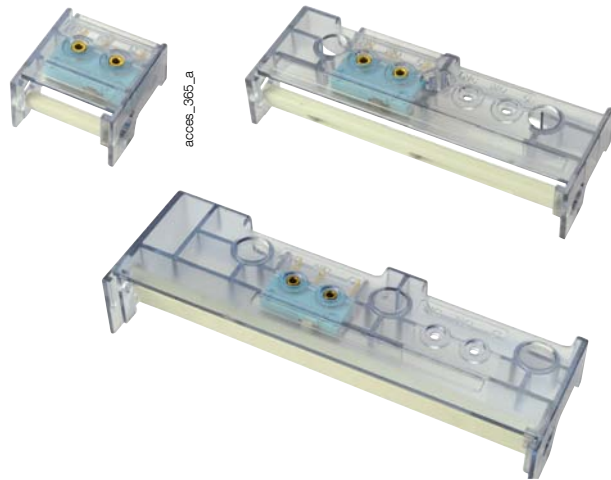
#### Auxiliary contact

##### Use

- 1 or 2 NO/NC auxiliary contacts:
- Pre-break, fuse presence and fuse blown signalling for RMS 50 and 100.
- Fuse blown signalling for RM 50 and 100.

##### Connection

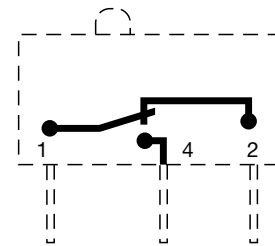
By 6.35 mm fast-on terminal.



| Characteristics          | Contact type            | Operating current I <sub>o</sub> (A)<br>250 VAC<br>AC-13 |
|--------------------------|-------------------------|--|
| Rating (A)<br>50 ... 100 | NO/NC contact           | 2.5  |
| 50 ... 100               | Two-level NO/NC contact | 0.1  |

| References | NO/NC contact | Reference |
|------------|---------------|-----------|
| Rating (A) | Contact       |           |
| 50         | 1 P with 1 AC | 5702 9901 |
| 50         | 3 P with 1 AC | 5702 9903 |
| 50         | 3 P with 2 AC | 5702 9030 |
| 100        | 1 P with 1 AC | 5703 9901 |
| 100        | 3 P with 1 AC | 5703 9903 |
| 100        | 3 P with 2 AC | 5703 9030 |

| Low level NO/NC auxiliary contact | Contact       | Reference |
|-----------------------------------|---------------|-----------|
| Rating (A)                        | Contact       |           |
| 50                                | 1 P with 1 AC | 5702 9911 |
| 50                                | 3 P with 1 AC | 5702 9913 |
| 100                               | 1 P with 1 AC | 5703 9911 |
| 100                               | 3 P with 1 AC | 5703 9913 |

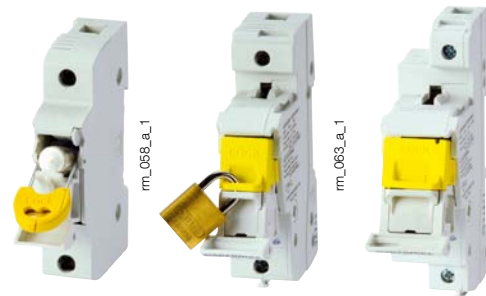


#### Key handle interlocking system

##### Use

Padlocking of the handle (padlock not supplied).

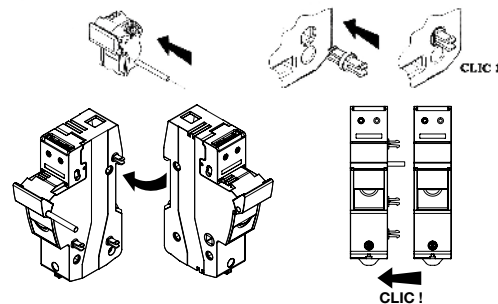
| For RM and RMS | Quantity (units) | Reference |
|----------------|------------------|-----------|
| Rating (A)     |                  |           |
| 32             | 5                | 5701 9040 |
| 50             | 5                | 5702 9040 |
| 100            | 5                | 5703 9040 |



#### Coupling system for RM

| For RM and RMS | Quantity (units) | Reference                |
|----------------|------------------|--------------------------|
| Rating (A)     |                  |                          |
| 32             | 12               | 5704 0003 <sup>(1)</sup> |
| 50 ... 100     | 12               | 5702 9020 <sup>(1)</sup> |

<sup>(1)</sup> One coupling device allows to link two RM/RMS. Also sold in bags containing separate components (bags of 100 pieces) for assembling larger quantities. Contact us



#### Reinforced insulation kit

| Rating (A) | Reference                |
|------------|--------------------------|
| 32         | 5701 9010 <sup>(1)</sup> |

<sup>(1)</sup> 1 reference = 1 set of 10 couplings.



### Characteristics according to IEC 60269-2

#### 32 to 100 A

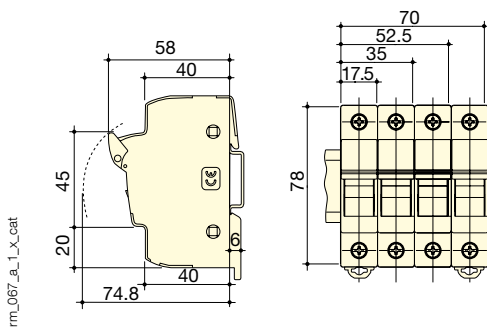
| Thermal current $I_{th}$ (20°C)   | 32 A         | 50 A    | 100 A   |
|---|--------------|---------|---------|
| Fuse size   | 10 x 38      | 14 x 51 | 22 x 58 |
| Rated insulation voltage $U_i$ (V)  | 690          | 690     | 690     |
| <b>Fuse rating (A)</b>  |              |         |         |
| at 400 VAC  | 32           | 50      | 125     |
| at 500 VAC  | 32           | 50      | 125     |
| at 690 VAC  |              | 50      | 125     |
| <b>gG fuse protected short-circuit withstand</b>  |              |         |         |
| Prospective short-circuit current (kA rms.) <sup>(1)</sup>                              | 100          | 100     | 100     |
| <b>Design current derating coefficient for N poles side by side</b>                     |              |         |         |
| N = 1 ... 3   | 1            | 1       | 1       |
| N = 4 ... 6   | 0.8          | 0.8     | 0.8     |
| N = 7 ... 9   | 0.7          | 0.7     | 0.7     |
| N ≥ 10  | 0.6          | 0.6     | 0.6     |
| <b>Design current derating coefficient depending on the temperature</b>                 |              |         |         |
| 20°C  | 1            | 1       | 1       |
| 30°C  | 0.95         | 0.95    | 0.95    |
| 40°C  | 0.90         | 0.90    | 0.90    |
| 50°C  | 0.80         | 0.80    | 0.80    |
| 60°C  | 0.70         | 0.70    | 0.70    |
| 70°C  | 0.60         | 0.60    | 0.60    |
| <b>Connection</b>   |              |         |         |
| Minimum Cu cable cross-section (mm <sup>2</sup> ), for rigid or flexible cables         | 0.75         | 0.75    | 0.75    |
| Maximum Cu cable cross-section (mm <sup>2</sup> ), rigid/flexible cables                | 25/16        | 35/25   | 50/35   |
| Maximum Cu cable cross-section (mm <sup>2</sup> ), rigid/flexible cables <sup>(2)</sup> | 16/10        |         |         |
| Tightening torque   | 2.5          | 3       | 5       |
| <b>Dimensional data</b>   |              |         |         |
| Weight of 1 P / N (kg)  | 0.057 / 0.06 | 0.1     | 0.155   |
| Weight of 1 P + N (kg)  | 0.117        | 0.215   | 0.327   |
| Weight of 3 P + N (kg)  | 0.229        | 0.415   | 0.632   |

(1) For a rated operational voltage  $U_o = 400$  VAC.

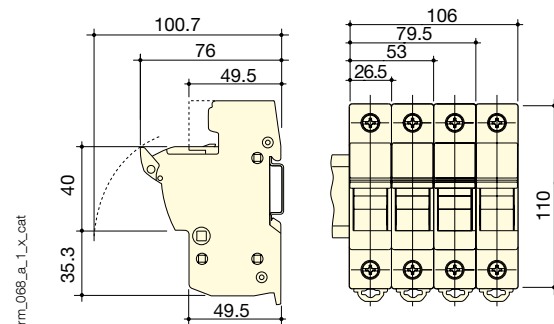
(2) Connection for RM32 1 P + N (1 module).

### Dimensions

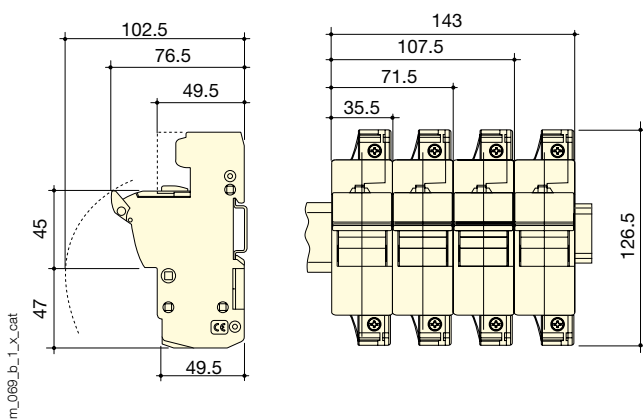
#### RM 32 A



#### RM / RMS 50 A unipolar and multipolar



#### RM / RMS 100 A unipolar and multipolar



#### RM 32 A Ref.: 5601 5005

